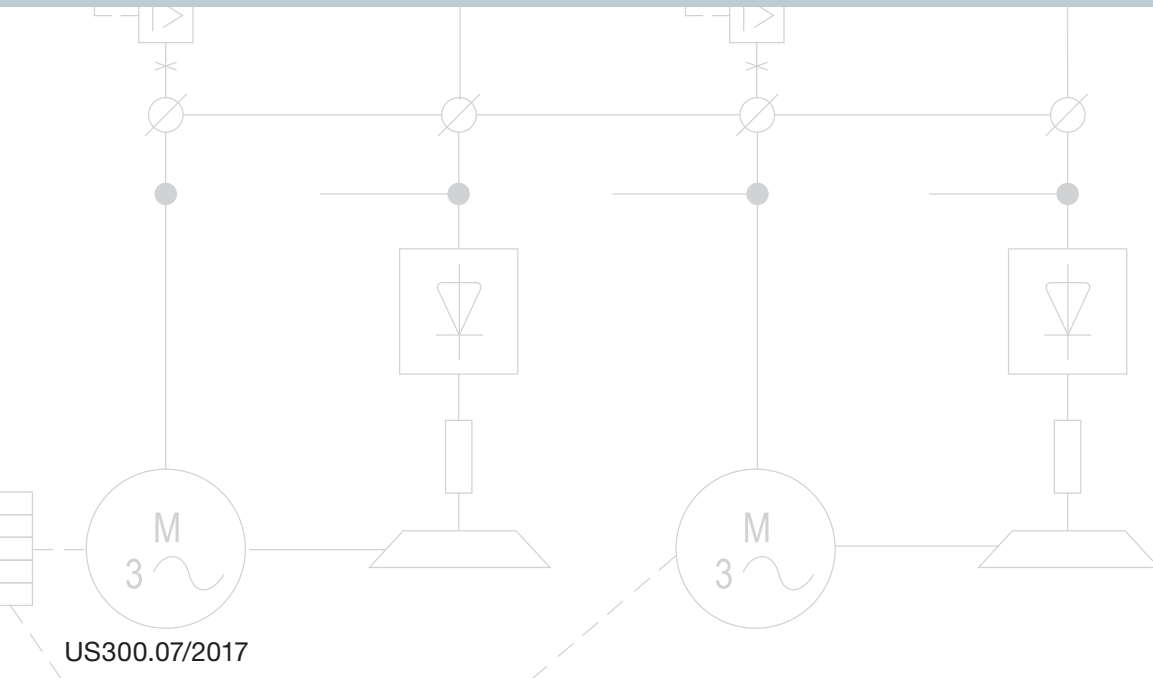
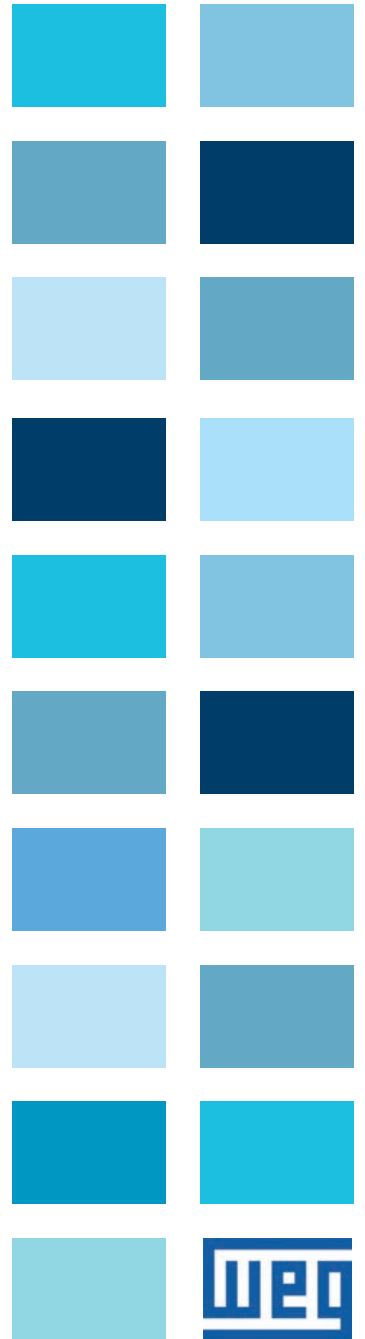


2018

WEG Automation Catalog

LV Variable Frequency Drives and Soft Starters



US300.07/2017

General Purpose and Machinery Drive Products

CFW100 - Variable Frequency Drives: 1/4 - 1 HP

CFW100	Overview	10
CFW300	Catalog Numer Sequence	11
CFW500	Product Selection and Pricing	12
	Options and Accessories	12
	Technical Data	13

CFW300 - Variable Frequency Drives: 1/4 - 5 HP

CFW700	Overview	14
CFW11	Catalog Numer Sequence	15
	Product Selection and Pricing	16
	Options and Accessories	16
	Technical Data	18

CFW500 - Variable Frequency Drives: 1/3 - 40 HP

CFW11M	Overview	19
PUMP GENIUS	Catalog Numer Sequence	20
	Product Selection and Pricing	21
	Options and Accessories	23
	Technical Data	25

CFW700 - Variable Frequency Drives: 1 1/2 - 150 HP

CFW700 SINGLE PHASE	Overview	26
CFW08 WASH	Catalog Numer Sequence	27
CFW501	Product Selection and Pricing	28
	Options and Accessories	31
	Technical Data	32
	Dynamic Braking Resistors	33
	Line and Load Reactors	35

CFW701

HVW701

SSW05

SSW07

SSW06

 EDP11
EDP700

GPH2

TPH2

Performance Drive Products

CFW11 - High Performance Industrial VFD: 1 1/2 - 1000 HP

Overview	36
Catalog Numer Sequence	37
Product Selection and Pricing	39
Options and Accessories	42
Technical Data	44
Dynamic Braking Resistors	45
Line and Load Reactors.....	47

CFW11M - Modular Industrial VFD: 450 - 2500 HP

Overview	48
Catalog Numer Sequence	49
Product Selection and Pricing	50
Dimensions	51

Special Purpose Drive Products

Pump Genius™

Overview	52
Operation	54
Product Selection and Pricing (Single Drive Pump System)	55
Product Selection and Pricing (Multiplex Pump System Control).....	57

CFW700 Single-Phase Supply - Variable Frequency Drives: 1 1/2 - 100 HP

Overview	60
Catalog Numer Sequence	61
Product Selection and Pricing	62
Dimensions	63
Options and Accesioris.....	64
Technical Data	65

CFW08 Wash - NEMA 4x Enclosed Variable Frequency Drive: 1 - 20 HP

Overview.....	66
Catalog Numer Sequence	67
Product Selection and Pricing	68
Options and Accessories.....	69
Dynamic Braking Resistors	70
Technical Data	71

CFW100

CFW300

CFW500

CFW700

CFW11

CFW11M

PUMP
GENIUSCFW700
SINGLE
PHASECFW08
WASH

CFW501

CFW701

HVV701

SSW05

SSW07

SSW06

EDP11
EDP700

GPH2

TPH2

HVAC-R Drive Products

CFW501 - HVAC-R Variable Frequency Drives: 1/3 - 25 HP

CFW100	Overview.....	73
CFW300	Catalog Numer Sequence	74
	Product Selection and Pricing	75
	Technical Data	76

CFW701 - HVAC-R Variable Frequency Drives: 1 1/2 - 150 HP

CFW500	Overview.....	77
CFW700	Catalog Numer Sequence	78
	Product Selection and Pricing	79
	Options and Accessories.....	81
CFW11	Technical Data	82
CFW11M	Line and Load Reactors.....	83

HW701 - HVAC-R Variable Frequency Drives with By-Pass: 1 1/2 - 150 HP

PUMP GENIUS	Overview.....	86
	Catalog Numer Sequence	87
	Product Selection and Pricing	88

 CFW700
SINGLE
PHASE

 CFW08
WASH

CFW501

CFW701

HW701

SSW05

SSW07

SSW06

 EDP11
EDP700

GPH2

TPH2

Solid State Soft Starter Products

SSW05 - Reduced Voltage Soft Starter: 10 - 85 Amps

Overview.....	94
Catalog Numer Sequence	95
Product Selection and Pricing	96
Options and Accessories	96
Technical Data	97

SSW07 - Reduced Voltage Soft Starter: 17 - 412 Amps

Overview.....	98
Catalog Numer Sequence	99
Product Selection and Pricing	100
Options and Accessories	101
Dimensions	102
Technical Data	103

SSW06 - Reduced Voltage Soft Starter: 10 - 1400 Amps

Overview.....	105
Catalog Numer Sequence	106
Product Selection and Pricing	107
Options and Accessories	109
Dimensions	110
Technical Data	111

Enclosed Drive and Soft Starter Products

EDP11 and EDP700 Engineered Drive Panels

Overview.....	113
Catalog Numer Sequence	114
Product Selection and Pricing	115
Dimensions	123

GPH2 Enclosed Soft Starter Panels

Overview.....	125
Catalog Numer Sequence	126
Product Selection and Pricing	127
Dimensions	131

TPH2 Enclosed Soft Starter Panels

Overview.....	132
Catalog Numer Sequence	133
Product Selection and Pricing	134
Dimensions	134

CFW08 Plus, CFW09 and CFW10 Replacement Guide

What model to choose to replace your old CFW08 Plus, CFW09 or CFW10	136
--	------------

Complete Product Index.....	142
------------------------------------	------------

WARRANTY TERMS FOR WEG AUTOMATION PRODUCTS

(All standard WEG terms and conditions apply to all orders)

WEG Automation products are warranted against defects in workmanship and materials for eighteen (18) months from invoicing date if the following requirements are met:

- Suitable transportation, handling and storage;
- Correct installation within the specified environmental conditions and without the presence of:
 - Direct exposure to sunlight, rain, high humidity, or sea-air
 - Inflammable or corrosive gases or liquids
 - Excessive vibrations
 - Dust, metallic particles, and oil mist
 - See your user manual for additional installation requirements
- Operation within the designed capacity limits
- Performance of scheduled preventive maintenance
- Repairs and/or modifications only made by authorized WEG service, proof required for warranty
- In the case of any deficiency, the equipment must be available for sufficient time for the technician to identify the cause of the failure and undertake the proper repairs
- The purchaser must report any faults immediately so that WEG Automation can verify the workmanship or material failure.



Repair services during the warranty period may be made, at WEG's discretion, at the purchaser's location, at an Authorized Service Center (ASC) if available, or at a WEG Electric facility. WEG may, at their discretion, choose to pay for disassembling and assembling services, product or part transportation costs, travel tickets, hotel accommodations, food expenses and overtime of service employees, when the services are performed at the customer's facilities. Fuses and other components in which the useful life in normal use is shorter than the warranty period are excluded from this warranty. Repairs and /or replacements of parts or products made within the warranty period do not prolong the original warranty period. The warranty is limited to only the supplied product; WEG shall not have any obligation for personal injuries to third parties, damage to other equipment or facilities, loss of profits or consequential damages.

For specifics on the warranty processing, or for a list of devices included in this listing, please contact the Warranty/Service Department at warranty@weg.net

Return Policy

WEG products that are purchased from our stocking warehouses must be returned within 90 days, freight to be paid by customer. Returned products must be unused, and in undamaged original packaging. If products are ordered incorrectly by the customer and need to be returned to stock, then a 20% re-stocking charge will be applied. If the returned products are deemed not to be in unused, undamaged condition, or in original packaging, then additional fees will be applied (up to and including full price of item). Returns on any modified products will not be allowed. Any products that are ordered as specials (with features that would not allow them to be stocked items) cannot be returned.





OPTIMAL MATCH WARRANTY

WEG Optimal Match Warranty is a thirty six (36) month warranty available when a WEG low voltage motor is applied with a WEG low voltage drive or soft starter. In order to qualify for this warranty, the products must be registered and approved by WEG’s warranty department using this Optimal Match Warranty form. This offer is only available in the US.

The following products and combinations are eligible for the Optimal Match Warranty:

- Drives and motors that qualify for this Optimal Match Warranty are W22 motors coupled with CFW11 up to 600HP (720A); all CFW100, CFW300, CFW500/501, CFW700/701; and CFW08 drives.
- Soft starters and motors that qualify for this Optimal Match Warranty are W22 motors coupled with SSW06 up to 700HP (820A); all SSW05 and SSW07 soft starters.

When the drive or soft starter is invoiced on the same date as the motor, the Optimal Match Warranty will be eligible on the invoice date, however the Optimal Match Warranty request (this form) must be sent within 180 days of purchase.

When the drive or soft starter is invoiced on a different date as the motor, the following conditions apply to be eligible for the Optimal Match Warranty:

- The Optimal Match Warranty shall be started from the first invoice date (Drive, Soft Starter or Motor).
- The Optimal Match Warranty request (this form) must be sent within 180 days from the date of the later product purchase.
- The dates of the original invoices of both products cannot be over than 90 days apart.
- Maximum warranty period will be 36 months total from the date of the earlier original product invoice.

Please fill in the following information completely; otherwise this application will be void. Please send this form to automationtech@weg.net or fax it to WEG Service department at 678.249.1171.

CUSTOMER INFORMATION	
DATE:	ACCOUNT No.:
COMPANY:	PHONE:
CONTACT:	EMAIL:
LOCATION OF APPLICATION	
STREET:	
CITY / STATE / ZIP:	
ORDER INFORMATION	
DRIVE / SOFT STARTER PURCHASE DATE:	ORDER No.:
MOTOR PURCHASE DATE:	ORDER No.:
PRODUCT INFORMATION	
DRIVE or SOFT STARTER	MOTOR
MODEL No.:	MODEL No.:
SERIAL No.:	SERIAL No.:

WEG ELECTRIC FORM: WSD-BB010-VERSION 4



HP	RPM	Frame	Voltage	Soft Starter Enclosure Rating: IP00 / IP20		Variable Frequency Drive Enclosure Rating: IP20/NEMA 1	
				Motor Wired for 230V	Motor Wired for 460V	Motor Wired for 230V	Motor Wired for 460V
0.25	3600	56	208-230/460			CFW100A01P6S220	CFW500A01P0T4NBN1
	1800	56	208-230/460			CFW100A01P6S220	CFW500A01P0T4NBN1
0.33	3600	56	208-230/460			CFW100A01P6S220	CFW500A01P0T4NBN1
	1800	56	208-230/460			CFW100A01P6S220	CFW500A01P0T4NBN1
0.5	3600	56	208-230/460			CFW100B02P6S220	CFW500A01P6T4NBN1
	1800	56	208-230/460			CFW100B02P6S220	CFW500A01P6T4NBN1
	1200	56	208-230/460			CFW100B02P6S220	CFW500A01P6T4NBN1
0.75	3600	56	208-230/460			CFW100C04P2S220	CFW500A01P6T4NBN1
	1800	56	208-230/460			CFW100C04P2S220	CFW500A01P6T4NBN1
	1200	56	208-230/460			CFW100C04P2S220	CFW500A01P6T4NBN1
1	3600	56	208-230/460			CFW100C04P2S220	CFW500A02P6T4NBN1
	1800	56	208-230/460			CFW100C04P2S220	CFW500A02P6T4NBN1
	1800	143T	208-230/460			CFW100C04P2S220	CFW500A02P6T4NBN1
	1200	56	208-230/460			CFW100C04P2S220	CFW500A02P6T4NBN1
	1200	145T	208-230/460			CFW100C04P2S220	CFW500A02P6T4NBN1
1.5	3600	143T	208-230/460	SSW050010T2246EPZ		CFW300A06P0T2NB20	CFW500A04P3T4NBN1
	1800	56	208-230/460	SSW050010T2246EPZ		CFW300A06P0T2NB20	CFW500A04P3T4NBN1
	1800	145T	208-230/460	SSW050010T2246EPZ		CFW300A06P0T2NB20	CFW500A04P3T4NBN1
	1200	182T	208-230/460	SSW050010T2246EPZ		CFW300A06P0T2NB20	CFW500A04P3T4NBN1
2	3600	145T	208-230/460	SSW050010T2246EPZ	SSW050010T2246EPZ	CFW300A07P3T2NB20	CFW500A04P3T4NBN1
	1800	56	208-230/460	SSW050010T2246EPZ	SSW050010T2246EPZ	CFW300A07P3T2NB20	CFW500A04P3T4NBN1
	1800	145T	208-230/460	SSW050010T2246EPZ	SSW050010T2246EPZ	CFW300A07P3T2NB20	CFW500A04P3T4NBN1
	1200	184T	208-230/460	SSW050010T2246EPZ	SSW050010T2246EPZ	CFW300A07P3T2NB20	CFW500A04P3T4NBN1
3	3600	182T	208-230/460	SSW050010T2246EPZ	SSW050010T2246EPZ	CFW500B10P0B2DBN1	CFW500B06P5T4DBN1
	1800	182T	208-230/460	SSW050010T2246EPZ	SSW050010T2246EPZ	CFW500B10P0B2DBN1	CFW500B06P5T4DBN1
	1200	213T	208-230/460	SSW050010T2246EPZ	SSW050010T2246EPZ	CFW500B10P0B2DBN1	CFW500B06P5T4DBN1
5	3600	184T	208-230/460	SSW050016T2246EPZ	SSW050010T2246EPZ	CFW500B16P0T2DBN1	CFW500B10P0T4DBN1
	1800	184T	208-230/460	SSW050016T2246EPZ	SSW050010T2246EPZ	CFW500B16P0T2DBN1	CFW500B10P0T4DBN1
	1200	215T	208-230/460	SSW050016T2246EPZ	SSW050010T2246EPZ	CFW500B16P0T2DBN1	CFW500B10P0T4DBN1
7.5	3600	213T	208-230/460	SSW050023T2246EPZ	SSW050016T2246EPZ	CFW500C24P0T2DBN1	CFW500C14P0T4DBN1
	1800	213T	208-230/460	SSW050023T2246EPZ	SSW050016T2246EPZ	CFW500C24P0T2DBN1	CFW500C14P0T4DBN1
	1200	254T	208-230/460	SSW050023T2246EPZ	SSW050016T2246EPZ	CFW500C24P0T2DBN1	CFW500C14P0T4DBN1
10	3600	215T	208-230/460	SSW050030T2246EPZ	SSW050016T2246EPZ	CFW500D28P0T2DBN1	CFW500C16P0T4DBN1
	1800	215T	208-230/460	SSW050030T2246EPZ	SSW050016T2246EPZ	CFW500D28P0T2DBN1	CFW500C16P0T4DBN1
	1200	256T	208-230/460	SSW050030T2246EPZ	SSW050016T2246EPZ	CFW500D28P0T2DBN1	CFW500C16P0T4DBN1
15	3600	254T	208-230/460	SSW050045T2246EPZ	SSW050023T2246EPZ	CFW500D47P0T2DBN1	CFW500D24P0T4DBN1
	1800	254T	208-230/460	SSW050045T2246EPZ	SSW050023T2246EPZ	CFW500D47P0T2DBN1	CFW500D24P0T4DBN1
	1200	284T	208-230/460	SSW050045T2246EPZ	SSW050023T2246EPZ	CFW500D47P0T2DBN1	CFW500D24P0T4DBN1
20	3600	256T	208-230/460	SSW050060T2246EPZ	SSW050030T2246EPZ	CFW500E56P0T2DBN1	CFW500D31P0T4DBN1
	1800	256T	208-230/460	SSW050060T2246EPZ	SSW050030T2246EPZ	CFW500E56P0T2DBN1	CFW500D31P0T4DBN1
	1200	286T	208-230/460	SSW050060T2246EPZ	SSW050030T2246EPZ	CFW500E56P0T2DBN1	CFW500D31P0T4DBN1



HP	RPM	Frame	Voltage	Soft Starter Enclosure Rating: IP00 / IP20		Variable Frequency Drive Enclosure Rating: IP20/NEMA 1	
				Motor Wired for 230V	Motor Wired for 460V	Motor Wired for 230V	Motor Wired for 460V
25	3600	284TS	208-230/460	SSW050085T2246EPZ	SSW050045T2246EPZ	CFW700C70P0T2DBN1	CFW500E39P0T4DBN1
	1800	284T	208-230/460	SSW050085T2246EPZ	SSW050045T2246EPZ	CFW700C70P0T2DBN1	CFW500E39P0T4DBN1
	1200	324T	208-230/460	SSW050085T2246EPZ	SSW050045T2246EPZ	CFW700C70P0T2DBN1	CFW500E39P0T4DBN1
30	3600	286TS	208-230/460	SSW050085T2246EPZ	SSW050045T2246EPZ	CFW700D86P0T2DBN1	CFW500E49P0T4DBN1
	1800	286T	208-230/460	SSW050085T2246EPZ	SSW050045T2246EPZ	CFW700D86P0T2DBN1	CFW500E49P0T4DBN1
	1200	326T	208-230/460	SSW050085T2246EPZ	SSW050045T2246EPZ	CFW700D86P0T2DBN1	CFW500E49P0T4DBN1
40	3600	324TS	208-230/460	SSW070130T5SZ	SSW050060T2246EPZ	CFW700D0105T2DBN1	CFW700C58P5T4DBN1
	1800	324T	208-230/460	SSW070130T5SZ	SSW050060T2246EPZ	CFW700D0105T2DBN1	CFW700C58P5T4DBN1
	1200	364T	208-230/460	SSW070130T5SZ	SSW050060T2246EPZ	CFW700D0105T2DBN1	CFW700C58P5T4DBN1
50	3600	326TS	208-230/460	SSW070130T5SZ	SSW050085T2246EPZ	CFW700E142T2NBN1C3	CFW700D70P5T4DBN1
	1800	326T	208-230/460	SSW070130T5SZ	SSW050085T2246EPZ	CFW700E142T2NBN1C3	CFW700D70P5T4DBN1
	1200	365T	208-230/460	SSW070130T5SZ	SSW050085T2246EPZ	CFW700E142T2NBN1C3	CFW700D70P5T4DBN1
60	3600	364TS	208-230/460	SSW070171T5SZ	SSW050085T2246EPZ	CFW700E180T2NBN1C3	CFW700D88P0T4DBN1
	1800	364T	208-230/460	SSW070171T5SZ	SSW050085T2246EPZ	CFW700E180T2NBN1C3	CFW700D88P0T4DBN1
	1200	404T	208-230/460	SSW070171T5SZ	SSW050085T2246EPZ	CFW700E180T2NBN1C3	CFW700D88P0T4DBN1
75	3600	365TS	208-230/460	SSW070200T5SZ	SSW070130T5SZ	CFW700E211T2NBN1C3	CFW700E105T4NBN1C3
	1800	365T	208-230/460	SSW070200T5SZ	SSW070130T5SZ	CFW700E211T2NBN1C3	CFW700E105T4NBN1C3
	1200	405T	208-230/460	SSW070200T5SZ	SSW070130T5SZ	CFW700E211T2NBN1C3	CFW700E105T4NBN1C3
100	3600	405TS	208-230/460	SSW070255T5SZ	SSW070130T5SZ		CFW700E142T4NBN1C3
	1800	405T	208-230/460	SSW070255T5SZ	SSW070130T5SZ		CFW700E142T4NBN1C3
	1200	444T	208-230/460	SSW070255T5SZ	SSW070130T5SZ		CFW700E142T4NBN1C3
125	3600	444TS	460	SSW070312T5SZ	SSW070171T5SZ		CFW700E180T4NBN1C3
	1800	444T	460	SSW070312T5SZ	SSW070171T5SZ		CFW700E180T4NBN1C3
	1200	445T	460	SSW070312T5SZ	SSW070171T5SZ		CFW700E180T4NBN1C3
150	3600	445TS	460	SSW070365T5SZ	SSW070200T5SZ		CFW700E211T4NBN1C3
	1800	445T	460	SSW070365T5SZ	SSW070200T5SZ		CFW700E211T4NBN1C3
	1200	447T	460	SSW070365T5SZ	SSW070200T5SZ		CFW700E211T4NBN1C3
200	3600	447TS	460		SSW070255T5SZ		CFW110242T4SZ
	1800	447T	460		SSW070255T5SZ		CFW110242T4SZ
	1200	447T	460		SSW070255T5SZ		CFW110242T4SZ
250	3600	447TS	460		SSW070312T5SZ		CFW110312T4SZ
	1800	447T	460		SSW070312T5SZ		CFW110312T4SZ
	1200	449T	460		SSW070312T5SZ		CFW110312T4SZ
300	3600	449TS	460		SSW070365T5SZ		CFW110370T4SZ
	1800	449T	460		SSW070365T5SZ		CFW110370T4SZ
	1200	449T	460		SSW070365T5SZ		CFW110370T4SZ

CFW100

Technology is at your fingertips with the incredible smallest volume VFD in the market. The CFW100 is a single-phase variable speed drive developed for simple applications ranging from 0.25 to 1 HP. (0.18 kW to 0.75 kW)

A strong partner for OEMs, it gives induction motors a selectable scalar (V/F) or voltage vector control (VVW), HMI and plug and play philosophy, with easy and fast installation and operation.

Standard Features

- Robust - Overload current: 150% for 60 seconds
Ambient temperature: up to 50 °C
- SoftPLC - PLC functions: making it a flexible and optimized solution
- PID Controller - Performance: changes in pressure, flow or other external data
- Communication Protocol - Modbus-RTU and CANopen using plug-in modules
- Conformal Coating as Standard -Increasing the lifetime, protecting the electronic boards against corrosive atmospheres. Classified as 3C2 according to IEC 60721-3-3



Applications

- Food and Beverage
- Small handling
- Air circulation
- Medical and health sector
- Machines with single-phase power source
- New markets (solar, etc.)
- Packaging Lines
- Sorting Conveyors



CFW100 Catalog Number Sequence

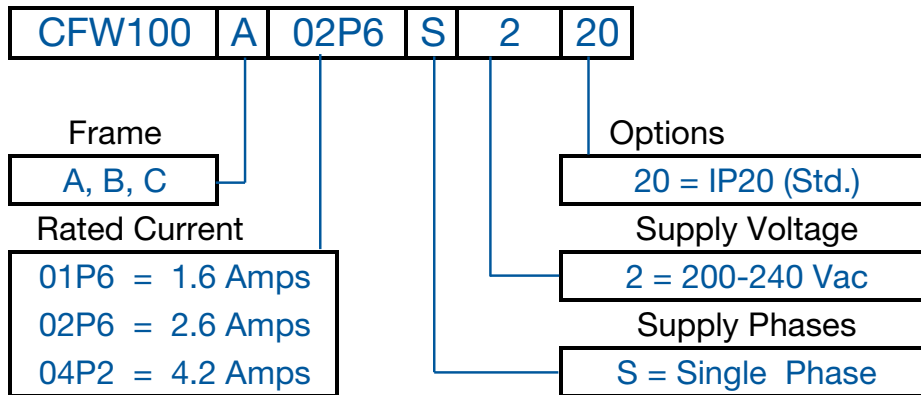


Table intended as reference and not to create part numbers.

Variable Frequency Drives



CFW100

IP20 Finger Safe Enclosure

Motor Voltage	Motor HP ¹	Drive Amps ²	Catalog Number	Frame Size	Dimensions (in.) HxWxD	Approx. Weight (lbs.)	List Price	Multiplier
230 Vac Three Phase	Input Power Supply: Single-Phase 240 Vac							
	1/4 - 1/3	1.6	CFW100A01P6S220	A	4.0 x 2.2 x 5.1	1.1	\$302	V1
	3/4	2.6	CFW100B02P6S220	B	4.6 x 2.2 x 5.1	1.3	\$346	V1
	1	4.2	CFW100C04P2S220	C	5.0 x 2.2 x 5.1	1.4	\$396	V1

Notes:

1) "HP" rating based on "average FLA values". Use as a guide only.

2) Motor FLA may vary with speed and manufacturer. ALWAYS compare motor FLA to Nominal AMPS of drive.

For other technical data please refer to WEG product manual.

Options and Accessories

Type	Catalog Number	Description	Approx. Weight (lbs.)	List Price	Multiplier
CFW Accessories					
I/O	CFW100-IOAR	CFW100 I/O Expansion Module - 1 AI, 1 DO	0.2	\$74	V1
I/O	CFW100-IOA	CFW100 I/O Expansion Module - 1 AI, 1 AO	0.2	\$90	V1
I/O	CFW100-IOD	CFW100 I/O Exp. Module - 4 DI, PNP or NPN	0.2	\$75	V1
I/O	CFW100-IODR	CFW100 I/O Exp. and Encoder Module - 3DI, 3DOR	0.2	\$220	V1
InfraRed	CFW100-IOADR	I/O Exp. and InfraRed Comm. Module 1 - 1AI, 3DOR	0.4	\$230	V1
USB Card	CFW100-CUSB	CFW100 USB Communication Module ²	0.2	\$128	V1
RS485 Card	CFW100-CRS485	CFW100 RS-485 Communication Module	0.2	\$82	V1
CANopen Card	CFW100-CCAN	CFW100 CANopen and DeviceNet Comm. Module	0.2	\$195	V1
Flash Memory Module	CFW100-MMF	CFW100 Flash Memory Module	0.4	\$210	V1
Remote Keypad Kit	CFW100-KHMIR	CFW100 Remote Keypad Kit ³	0.4	\$256	V1
RFI Filter Kit	CFW100-KFABC	CFW100-KFABC Footprint RFI Filter	1.7	\$82	V1

Notes:

1) CFW100-IOADR includes InfraRed receiver with 1.5 meter cable and InfraRed remote control

2) CFW100-USB Communication Module includes 2-meter Mini-USB cable

3) CFW100-KHMIR Remote Keypad Kit includes Remote Keypad: CFW100-CRS485 module; 3-meter Mini-USB cable

CFW100 Option Module	Option Module I/O Table								
	DI ¹	AI	AO	DOR	Encoder	Infrared	USB	RS485	CANopen
CFW100-IOAR	4	1		1					
CFW100-IOA	4	1	1						
CFW100-IOD	4 + 4								
CFW100-IODR	4 + 3			3	1				
CFW100-IOADR	4	1		3		1			
CFW100-CUSB	4						1		
CFW100-CRS485	4							1	
CFW100-CCAN	4								1

Notes:

1) CFW100 Drive includes 4DI as standard. Option Modules provide suplimental I/O as shown in this table.

Technical Data

Power Supply	Voltage	Single Phase	200-240 Vac (+10%, -15%)	
	Frequency	50 / 60Hz +/- 2Hz		
	Displacement Power Factor (Cos)	Greater than 0.97		
Enclosure	Degree of Protection	IP20		
Control	Control Mode	V/Hz (Scalar)		
		Voltage Vector VVW		
	Power Output	IGBT Transistors		
		Sinusoidal PWM (Space Vector Modulation)		
	Switching Frequency	2.5, 5, 10 or 15kHz (5kHz Default)		
	Frequency Range	0-300 Hz, 0.1 Hz resolution		
Overload Capacity	150% for 60 seconds, repeatable every 6 min.			
Control Inputs and Outputs	4 programmable 24Vdc isolated digital inputs (other I/O configurations with option cards)			
Safety	Protections	Output phase-to-phase short circuit	DC link over voltage	
		Output phase-to-ground short circuit	DC link under voltage	
		IGBT peak over current	Drive over temperature	
		Programming error	External fault	
	Standards	UL 508C; UL 840; EN 61800-5-1; EN 50178; EN 60204-1; EN 60146 (IEC 146); EN 61800-2		
Ambient	Temperature	32°F (0°C), up to 122°F (50°C) without output current derating		
	Humidity	5-90% Non Condensing		
	Altitude	0-3300 ft (1000m); Up to 13,200 ft (4000m) with 1% derating of rated output current per 330ft (100m) above 3300 ft (1000m) elevation		
Regulatory Conformance	EMC Directive 89 / 336 / EEC	Electromagnetic compatibility, Industrial Environment EMC Emission and Immunity		
	ENC61800-3 for the FA version - optional			
	LVD 73/23/EEC	Low Voltage Directive		
	UL 508C; UL 50, UL840	Power Conversion Equipment		
Special Functions	Linear and "S" ramp accel and decel, local/remote control, FWD/REV selection, DC braking, manual and auto torque boost, motor slip compensation, electronic pot, two skip frequencies, maximum and minimum adjustable frequency limits, adjustable output current limit, 8 present speeds and JOG, PID Controller			
Keypad with HMI	3 digit LCD display and 4 keys			
	Readouts for: output frequency (Hz), output current (A), output voltage (V), value proportional to frequency (Ex: RPM), heatsink temperature, fault and status messages.			
Mounting	DIN Rail mounting			
Communications	Modbus-RTU	CFW100-CRS485 Optional Plug-in Module		
	CANopen/Devicenet	CFW100-CCAN Optional Plug-in Module		
Connectivity	USB	CFW100-CUSB Optional Plug-in Module		

CFW300

The CFW300 variable frequency drive is a high-performance VFD for three-phase induction motors. It is ideal for applications on machines or equipment that require precise control with easy setup and operation.

The CFW300 features a compact size with contactor-style electrical connections (top in / bottom out). The VFD's performance can be scaled to match the application by selecting WEG vector control (V/VW) or scalar control (V/F). The CFW300 includes built-in operator interface (HMI) and SoftPLC with free WPS programming software for custom tailored control schemes. A variety of plug-in option modules for additional I/O and communications protocols may be added to provide extended capabilities, making the CFW300 a flexible and cost effective solution for your variable speed requirements.



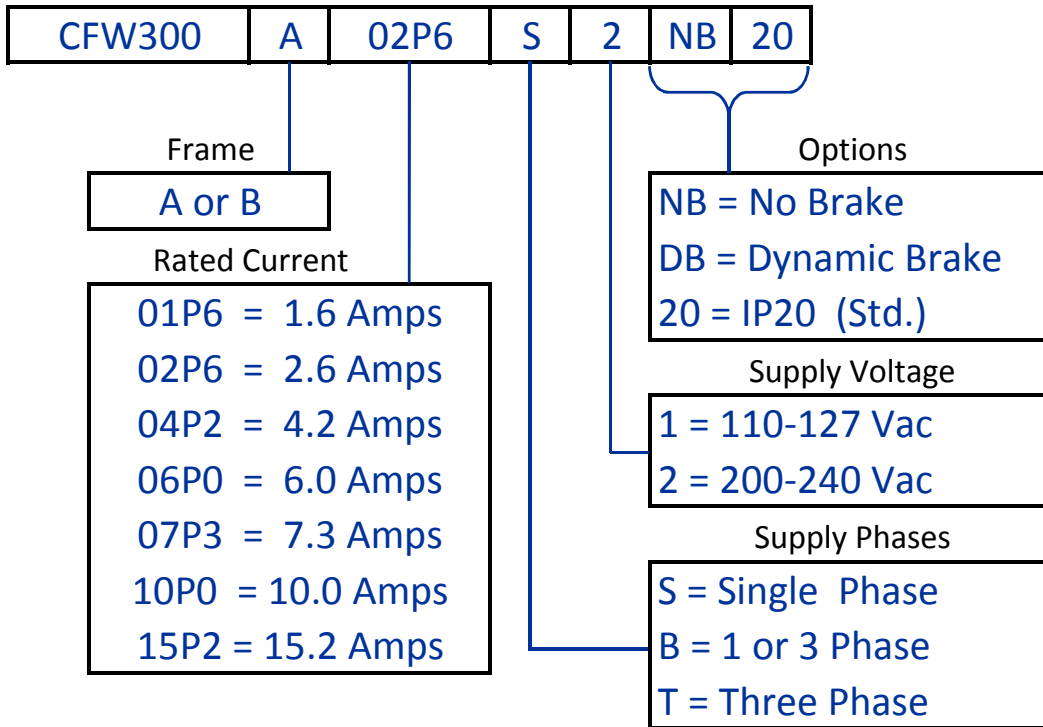
Standard Features

- Single and three-phase voltage supply
- Din rail or surface mounting with screws
- Voltage range:
 - 110-127 Vac and 200-240 Vac for single-phase models
 - 200-240 Vac for three-phase models
- Current / Power range: up to 15.2 Amps / 3.7 kW (5 HP)
- Control mode: Scalar (V/Hz) or Voltage Vector (V/VW)
- Switching frequency: 2.5, 5, 10 or 15kHz
- Overload capacity: 150% for 60 sec. every 10min, 200% for 3 sec. every 10min.
- Degree of protection: IP20
- Operating temperature: 14 • 122°F (50°C); up to 140°F (60°C) with current derating (2% per 1°C above 50°C)
- Altitude: 0 • 3300 ft. (1000m); up to 13,200 ft. (4000m) with current derating (1% per 100m above 1000m)
- Humidity: 5 to 95% non-condensing
- Integrated brake chopper for frame size B (not available for size A)
- Local keypad supplied as standard

Applications

- Centrifugal pumps
- Fans / Blowers
- Blenders / Mixers
- Centrifuges
- Compressors
- Conveyors
- Roller Tables
- Granulators
- Commercial Dryers
- Rotary Filters

CFW300 Catalog Number Sequence



Variable Frequency Drives



CFW300

IP20 Enclosure

Motor Voltage	Motor HP ¹	Drive Output Amps ²	Catalog Number	Braking Transistor	Frame Size	Dimensions (in.) HxWxD	Approx. Weight Lbs. (kg)	List Price	Multiplier Symbol	
230 Vac / 3 Phase	Input Power Supply: Single-Phase 110-127 Vac									
	1/4 or 1/3	1.6	CFW300A01P6S1NB20	No	A	6.3 x 2.8 x 5.9	2.0 (0.9)	\$361	V1	
	3/4	2.6	CFW300A02P6S1NB20	No	A	6.3 x 2.8 x 5.9	2.0 (0.9)	\$394	V1	
	1	4.2	CFW300A04P2S1NB20	No	A	6.3 x 2.8 x 5.9	2.0 (0.9)	\$420	V1	
	2	6.0	CFW300A06P0S1NB20	No	A	6.3 x 2.8 x 5.9	2.0 (0.9)	\$507	V1	
	Input Power Supply: Single-Phase 200-240 Vac									
	1/4 or 1/3	1.6	CFW300A01P6S2NB20	No	A	6.3 x 2.8 x 5.9	2.0 (0.9)	\$323	V1	
	3/4	2.6	CFW300A02P6S2NB20	No	A	6.3 x 2.8 x 5.9	2.0 (0.9)	\$348	V1	
	1	4.2	CFW300A04P2S2NB20	No	A	6.3 x 2.8 x 5.9	2.0 (0.9)	\$371	V1	
	2	6.0	CFW300A06P0S2NB20	No	A	6.3 x 2.8 x 5.9	2.0 (0.9)	\$461	V1	
	2	7.3	CFW300A07P3S2NB20	No	A	6.3 x 2.8 x 5.9	2.0 (0.9)	\$543	V1	
	3	10.0	CFW300B10P0B2DB20 ³	Yes	B	8.1 x 2.8 x 6.3	3.0 (1.4)	\$648	V1	
	Input Power Supply: Three-Phase 200-240 Vac									
	1/4 or 1/3	1.6	CFW300A01P6T2NB20	No	A	6.3 x 2.8 x 5.9	2.0 (0.9)	\$343	V1	
	3/4	2.6	CFW300A02P6T2NB20	No	A	6.3 x 2.8 x 5.9	2.0 (0.9)	\$376	V1	
	1	4.2	CFW300A04P2T2NB20	No	A	6.3 x 2.8 x 5.9	2.0 (0.9)	\$399	V1	
	2	6.0	CFW300A06P0T2NB20	No	A	6.3 x 2.8 x 5.9	2.0 (0.9)	\$484	V1	
	2	7.3	CFW300A07P3T2NB20	No	A	6.3 x 2.8 x 5.9	2.0 (0.9)	\$571	V1	
	3	10.0	CFW300B10P0B2DB20 ³	Yes	B	8.1 x 2.8 x 6.3	3.0 (1.4)	\$648	V1	
	5	15.2	CFW300B15P2T2DB20	Yes	B	8.1 x 2.8 x 6.3	3.0 (1.4)	\$792	V1	

Notes:

- "HP" rating based on "average FLA values". Use as a guide only.
- Motor FLA may vary with speed and manufacturer. ALWAYS compare motor FLA to Nominal AMPS of drive.
- CFW300B10P0B2DB20 is capable of Single-Phase input without derating.
For other technical data please refer to WEG product manual.

Options and Accessories¹

Type	CATALOG NUMBER	Description	Approx. Wt. (lbs.)	List Price	Multiplier Symbol
I/O ²	CFW300-IOAR	I/O Expansion Module; 1 AI, 1 AO, 3 DOR, +10vdc	0.2	\$141	V1
I/O ²	CFW300-IODR	I/O Expansion Module; 4 DI, 3 DOR	0.2	\$108	V1
I/O ²	CFW300-IOAENC	I/O and Encoder Module; 1 AI, 2 AO, +10vdc, 1 Incremental Encoder Input, +5vdc	0.2	\$143	V1
I/O ²	CFW300-IOADR	I/O Expansion Module; 1 NTC Sensor Input, 3 DOR	0.2	\$207	V1
RS485 Card	CFW300-CRS485	RS-485 Module; 1 RS-485 Input (Modbus-RTU), 1 Mini USB for Remote Keypad	0.2	\$82	V1
USB Card	CFW300-CUSB	USB Communication Module w/ 2-meter Cable; 1 Mini USB	0.2	\$87	V1
RS232 Card	CFW300-CRS232	RS-232 Communication Module (Modbus-RTU); 1 RS232	0.2	\$82	V1
CANopen Card	CFW300-CCAN	CANopen/DeviceNet Comm. Module; 1 CAN/DeviceNet, External 24vdc Power	0.2	\$100	V1
Profibus DP Card	CFW300-CPDP	Profibus DP Communication Module; 1 Profibus DP 9-Pin Connector	0.2	\$294	V1
Remote Keypad	CFW300-KHMIR	Remote Keypad; Includes CFW300-CRS485 and 3-meter Cable	0.4	\$256	V1
Flash Memory Module	CFW300-MMF	Flash Memory Module for saving program and parameters to/from drive.	0.2	\$210	V1
RFI Filter Kit – Fr. A	CFW300-KFA	CFW300 RFI Filter Kit – Frame Size A - SINGLE PHASE INPUT MODELS ONLY	0.3	\$90	V1
RFI Filter Kit – Fr. B	CFW300-KFB	CFW300 RFI Filter Kit – Frame Size B - SINGLE PHASE INPUT MODELS ONLY	0.3	\$105	V1

Notes:

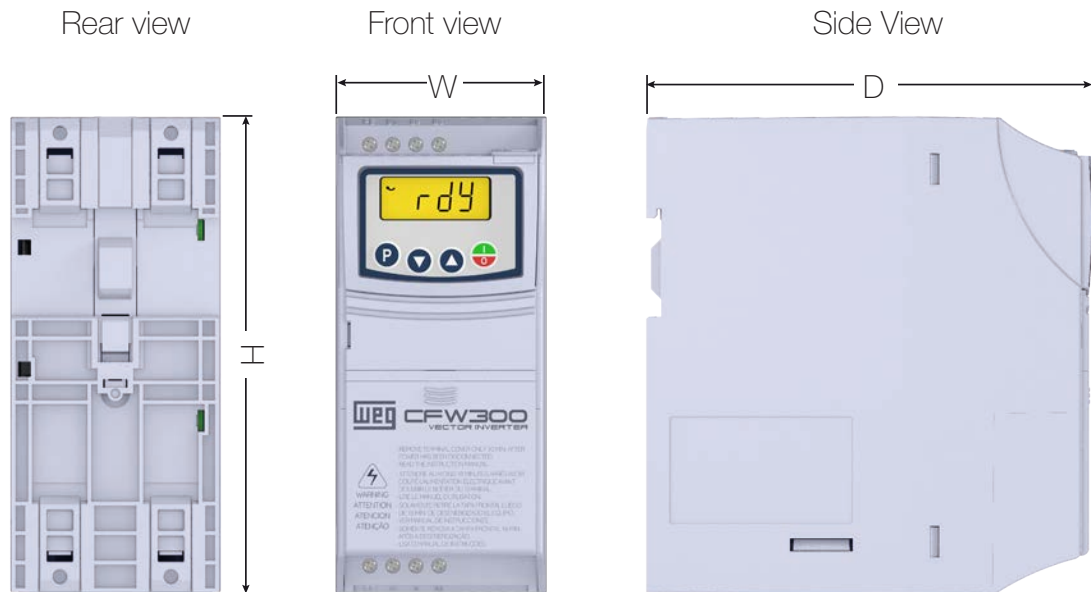
- Up to Qty. (1) I/O Expansion Module plus Qty. (1) Communication Module can be added to the CFW300 VFD.
- Option card I/O is in addition to the standard CFW300 I/O which includes: 4 DI, 1 AI, 1 DOR.

Option Card and I/O Table

CFW 300 Option Modules	DI ¹	AI	AO	DOR	Encoder	Infrared	RS485	RS232	USB	CANopen	Profibus-DP
CFW300-IOAR	4	1	1	3							
CFW300-IODR	4 + 4			3							
CFW300-IOAENC	4	1	2		1						
CFW300-IOADR	4	1		3		1					
CFW300-CRS485	4						1				
CFW300-CRS232	4							1			
CFW300-CUSB	4								1		
CFW300-CCAN	4									1	
CFW300-CPDP											1

Notes: 1) CFW300 Drive includes 4DI as standard. Option Modules provide suplimental I/O as shown in this table.

Dimensions



Frame Size IP20	Height in. (mm)	Width in. (mm)	Depth in. (mm)	Weight Lbs. (kg)
A (w/o RFI)	6.3 (157.9)	2.8 (70.0)	5.9 (148.4)	2.0 (0.9)
A (w/RFI)	7.8 (196.0)	2.8 (70.0)	7.5 (190.1)	2.9 (1.3)
B (w/o RFI)	8.1 (198.9)	2.8 (70.0)	6.3 (158.4)	3.0 (1.4)
B (w/ RFI)	9.4 (237.0)	2.8 (70.0)	7.9 (200.1)	4.0 (1.8)

Variable Frequency Drives



CFW300

Technical Data

Power Supply	Voltage	Single Phase	110-127 Vac (+10%, -15%)
		Single Phase or Three Phase	200-240 Vac (+10%, -15%)
	Frequency	50 / 60Hz +/- 2Hz	
Output	Voltage	0-230 Vac Three Phase	
	Frequency	0-400 Hz, 0.1Hz Resolution	
Control	Control Modes	Volts per Hertz (Scalar)	
		Sensorless Voltage Vector	
		Sinusoidal PWM (Space Vector Modulation)	
	Switching Frequency	2.5, 5, 10 or 15kHz	
	Frequency Range	0-400 Hz	
	Overload Capacity	150% for 60 seconds, repeatable every 10 min.	
Control Inputs	4 programmable isolated digital inputs, NPN or 24Vdc logic (PNP)		
	1 programmable differential analog input; programmable for current or voltage		
Control Outputs	1 programmable relay output: One NO/NC (Form C) 250 Vac / 0.5 A		
Communication	Field Bus	Optional modules for RS-485, RS-232, CANopen, DeviceNet, Profibus-DP, USB	
Safety	Protections	Motor over current	DC link over voltage
		Motor overload	DC link under voltage
		Output phase-to-phase short circuit	Drive over temperature
		Output phase-to-ground short circuit	External fault
		Programming error	
Enclosure	Degree of Protection	IP20	
	Mounting	Surface mounting with screws or DIN rail mounting	
Ambient	Temperature	14 - 122°F (50°C), up to 140°F (60°C) with 2% / 1.8°F (1°C) output current derating	
	Humidity	5-95% Non Condensing	
	Altitude	0-3300 ft (1000m) Up to 13,200 ft (4000m) with 1% / 330ft (100m) output current derating	
Regulatory Conformance	EMC Directive 89 / 336 / EEC	Electromagnetic compatibility – Industrial Environment EMC Emission and Immunity with optional filter	
	ENC61800-2, 3, 5-1 ENC61800-4-2, 3, 4, 5, 6		
	LVD 73/23/EEC	Low Voltage Directive	
	UL 508C, UL 840, UL 50	Electrical Equipment standards	
Special Functions	Linear and “S” ramp accel and decel, local/remote control, FWD/REV selection, DC braking, manual and auto torque boost, motor slip compensation, electronic pot, two skip frequencies, maximum and minimum adjustable frequency limits, adjustable output current		
Keypad	4 digit LCD display and 4 keys		
	Readouts for: output frequency (Hz), output current (A), output voltage (V), motor torque (%) in vector mode, DC bus voltage (V), value proportional to frequency (Ex.: RPM), fault and status messages		

CFW500

CFW500 Catalog Number Sequence

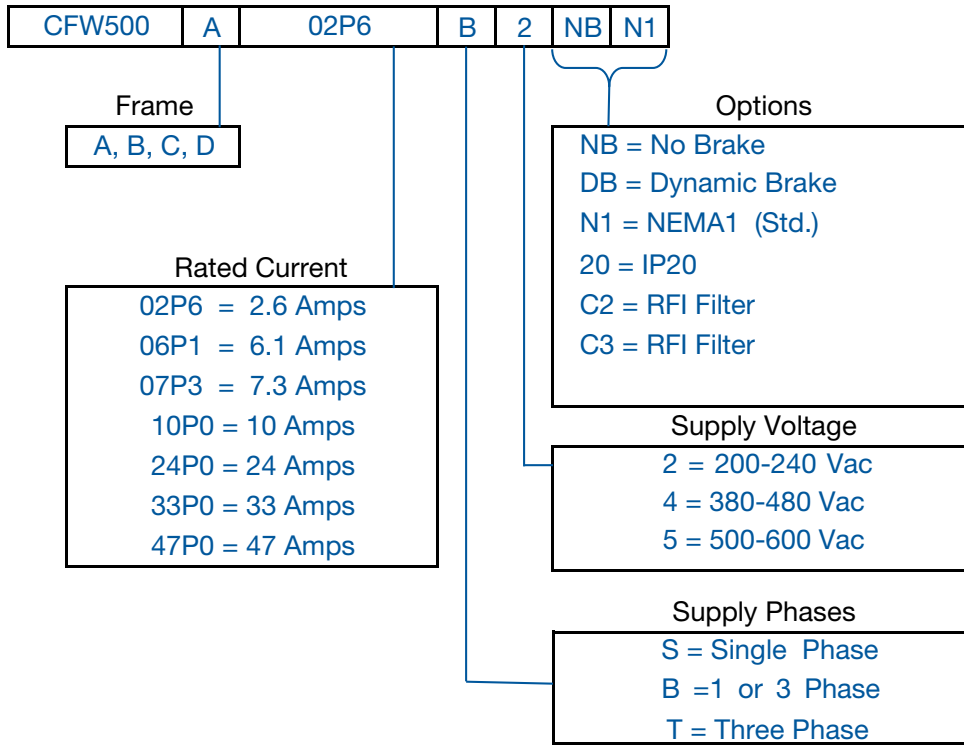


Table intended as reference and not to create part numbers.

- CFW100
- CFW300
- CFW500**
- CFW700
- CFW11
- CFW11M
- PUMP GENIUS
- CFW700 SINGLE PHASE
- CFW08 WASH
- CFW501
- CFW701
- HVW701
- SSW05
- SSW07
- SSW06
- EDP11 EDP700
- GPH2
- TPH2



IP20 Finger Safe Enclosure

Motor Voltage	Motor HP ¹	Drive Amps ²	Catalog Number	Braking Transistor	Frame Size	Dimensions (in.) HxWxD	Approx. Weight (lbs.)	List Price	Multiplier
230 Vac/3 Phase	Input Power Supply: Single-Phase 200-240 Vac								
	1/3	1.6	CFW500A01P6S2NB20	No	A	7.5 x 3.0 x 5.9	1.8	\$451	V1
	3/4	2.6	CFW500A02P6S2NB20	No	A	7.5 x 3.0 x 5.9	1.8	\$463	V1
	1 1/2	4.3	CFW500A04P3S2NB20	No	A	7.5 x 3.0 x 5.9	1.8	\$499	V1
	2	7.3	CFW500A07POS2NB20	No	A	7.5 x 3.0 x 5.9	1.8	\$633	V1
	Input Power Supply: Single or Three-Phase 200-240 Vac								
	1/3	1.6	CFW500A01P6B2NB20	No	A	7.5 x 3.0 x 5.9	1.8	\$456	V1
	3/4	2.6	CFW500A02P6B2NB20	No	A	7.5 x 3.0 x 5.9	1.8	\$467	V1
	1 1/2	4.3	CFW500A04P3B2NB20	No	A	7.5 x 3.0 x 5.9	1.8	\$506	V1
	2	7.3	CFW500B07P3B2DB20	Yes	B	7.9 x 4.0 x 6.3	2.6	\$678	V1
	3	10.0	CFW500B10P0B2DB20	Yes	B	7.9 x 4.0 x 6.3	2.6	\$789	V1
	Input Power Supply: Three-Phase 200-240 Vac								
	2	7.0	CFW500A07POT2NB20	No	A	7.5 x 3.0 x 5.9	1.8	\$628	V1
	3	9.6	CFW500A09P6T2NB20	No	A	7.5 x 3.0 x 5.9	1.8	\$773	V1
	5	16	CFW500B16POT2DB20	Yes	B	7.9 x 4.0 x 6.3	2.6	\$842	V1
	7 1/2	24	CFW500C24POT2DB20	Yes	C	8.3 x 5.3 x 6.5	4.4	\$1,427	V1
	10	28	CFW500D28POT2DB20	Yes	D	12.1 x 7.1 x 6.6	9.5	\$1,777	V1
	10	33	CFW500D33POT2DB20	Yes	D	12.1 x 7.1 x 6.6	9.5	\$2,146	V1
	15	47	CFW500D47POT2DB20	Yes	D	12.1 x 7.1 x 6.6	9.5	\$2,910	V1
	20	56	CFW500E56POT2DB20	Yes	E	13.8 x 8.7 x 7.6	22.1	\$3,380	V1
460 Vac/3 Phase	Input Power Supply: Three-Phase 380-480 Vac								
	1/2	1.0	CFW500A01POT4NB20	No	A	7.5 x 3.0 x 5.9	1.8	\$582	V1
	1	1.6	CFW500A01P6T4NB20	No	A	7.5 x 3.0 x 5.9	1.8	\$604	V1
	2	2.6	CFW500A02P6T4NB20	No	A	7.5 x 3.0 x 5.9	1.8	\$649	V1
	3	4.3	CFW500A04P3T4NB20	No	A	7.5 x 3.0 x 5.9	1.8	\$799	V1
	3	6.1	CFW500A06P1T4NB20	No	A	7.5 x 3.0 x 5.9	1.8	\$982	V1
	2	2.6	CFW500B02P6T4DB20	Yes	B	7.9 x 4.0 x 6.3	2.6	\$708	V1
	3	4.3	CFW500B04P3T4DB20	Yes	B	7.9 x 4.0 x 6.3	2.6	\$892	V1
	5	6.5	CFW500B06P5T4DB20	Yes	B	7.9 x 4.0 x 6.3	2.6	\$1,067	V1
	7 1/2	10	CFW500B10POT4DB20	Yes	B	7.9 x 4.0 x 6.3	2.6	\$1,207	V1
	10	14	CFW500C14POT4DB20	Yes	C	8.3 x 5.3 x 6.5	4.4	\$1,495	V1
	10	16	CFW500C16POT4DB20	Yes	C	8.3 x 5.3 x 6.5	4.4	\$1,684	V1
	15	24	CFW500D24POT4DB20	Yes	D	12.1 x 7.1 x 6.6	9.5	\$2,229	V1
	25	31	CFW500D31POT4DB20	Yes	D	12.1 x 7.1 x 6.6	9.5	\$2,783	V1
	30	39	CFW500E39POT4DB20	Yes	E	13.8 x 8.7 x 7.6	22.1	\$3,346	V1
	40	49	CFW500E49POT4DB20	Yes	E	13.8 x 8.7 x 7.6	22.1	\$4,214	V1
	575 Vac ³ /3 Phase	Input Power Supply: Three-Phase 500-600 Vac							
1 1/2		1.7	CFW500C01P7T5DB20	Yes	C	8.3 x 5.3 x 6.5	4.4	\$910	V1
3		3.0	CFW500C03POT5DB20	Yes	C	8.3 x 5.3 x 6.5	4.4	\$954	V1
3		4.3	CFW500C04P3T5DB20	Yes	C	8.3 x 5.3 x 6.5	4.4	\$1,073	V1
7 1/2		7.0	CFW500C07POT5DB20	Yes	C	8.3 x 5.3 x 6.5	4.4	\$1,276	V1
10		10.0	CFW500C10POT5DB20	Yes	C	8.3 x 5.3 x 6.5	4.4	\$1,621	V1
10	12.0	CFW500C12POT5DB20	Yes	C	8.3 x 5.3 x 6.5	4.4	\$1,813	V1	

Notes:

- 1) "HP" rating based on "average FLA values". Use as a guide only.
 - 2) Motor FLA may vary with speed and manufacturer. ALWAYS compare motor FLA to Nominal AMPS of drive.
 - 3) All 575V drives are non-stocked items. Consult WEG for availability.
- For other technical data please refer to WEG product manual.

Variable Frequency Drives



CFW500

NEMA 1 Enclosure

Motor Voltage	Motor HP ¹	Drive Amps ²	Catalog Number	Braking Transistor	Frame Size	Dimensions (in.) HxWxD	Approx. Weight (lbs.)	List Price	Multiplier		
230 Vac/3 Phase	Input Power Supply: Single-Phase 200-240 Vac										
	1/3	1.6	CFW500A01P6S2NBN1	No	A	8.8 x 3.0 x 5.9	2.4	\$451	V1		
	3/4	2.6	CFW500A02P6S2NBN1	No	A	8.8 x 3.0 x 5.9	2.4	\$463	V1		
	1 1/2	4.3	CFW500A04P3S2NBN1	No	A	8.8 x 3.0 x 5.9	2.4	\$499	V1		
	2	7.0	CFW500A07P0S2NBN1	No	A	8.8 x 3.0 x 5.9	2.4	\$633	V1		
	Input Power Supply: Single or Three-Phase 200-240 Vac										
	1/3	1.6	CFW500A01P6B2NBN1	No	A	8.8 x 3.0 x 5.9	2.4	\$456	V1		
	3/4	2.6	CFW500A02P6B2NBN1	No	A	8.8 x 3.0 x 5.9	2.4	\$467	V1		
	1 1/2	4.3	CFW500A04P3B2NBN1	No	A	8.8 x 3.0 x 5.9	2.4	\$506	V1		
	2	7.3	CFW500B07P3B2DBN1	Yes	B	9.6 x 3.9 x 6.3	3.3	\$678	V1		
	3	10.0	CFW500B10P0B2DBN1	Yes	B	9.6 x 3.9 x 6.3	3.3	\$789	V1		
	Input Power Supply: Three-Phase 200-240 Vac										
	2	7.0	CFW500A07P0T2NBN1	No	A	8.8 x 3.0 x 5.9	2.4	\$628	V1		
	3	9.6	CFW500A09P6T2NBN1	No	A	8.8 x 3.0 x 5.9	2.4	\$773	V1		
	5	16	CFW500B16P0T2DBN1	Yes	B	9.6 x 3.9 x 6.3	3.3	\$842	V1		
	7 1/2	24	CFW500C24P0T2DBN1	Yes	C	10.0 x 5.3 x 6.5	5.3	\$1,427	V1		
	10	28	CFW500D28P0T2DBN1	Yes	D	14.3 x 7.1 x 6.6	10.2	\$1,777	V1		
	10	33	CFW500D33P0T2DBN1	Yes	D	14.3 x 7.1 x 6.6	10.2	\$2,146	V1		
	15	47	CFW500D47P0T2DBN1	Yes	D	14.3 x 7.1 x 6.6	10.2	\$2,910	V1		
	20	56	CFW500E56P0T2DBN1	Yes	E	13.8 x 8.7 x 7.6	22.1	\$3,380	V1		
	460 Vac/3 Phase	Input Power Supply: Three-Phase 380-480 Vac									
		1/2	1.0	CFW500A01P0T4NBN1	No	A	8.8 x 3.0 x 5.9	2.4	\$582	V1	
		1	1.6	CFW500A01P6T4NBN1	No	A	8.8 x 3.0 x 5.9	2.4	\$604	V1	
		2	2.6	CFW500A02P6T4NBN1	No	A	8.8 x 3.0 x 5.9	2.4	\$649	V1	
		3	4.3	CFW500A04P3T4NBN1	No	A	8.8 x 3.0 x 5.9	2.4	\$799	V1	
		3	6.1	CFW500A06P1T4NBN1	No	A	8.8 x 3.0 x 5.9	2.4	\$982	V1	
		2	2.6	CFW500B02P6T4DBN1	Yes	B	9.6 x 3.9 x 6.3	3.3	\$708	V1	
		3	4.3	CFW500B04P3T4DBN1	Yes	B	9.6 x 3.9 x 6.3	3.3	\$892	V1	
5		6.5	CFW500B06P5T4DBN1	Yes	B	9.6 x 3.9 x 6.3	3.3	\$1,067	V1		
7 1/2		10	CFW500B10P0T4DBN1	Yes	B	9.6 x 3.9 x 6.3	3.3	\$1,207	V1		
10		14	CFW500C14P0T4DBN1	Yes	C	10.0 x 5.3 x 6.5	5.3	\$1,495	V1		
10		16	CFW500C16P0T4DBN1	Yes	C	10.0 x 5.3 x 6.5	5.3	\$1,684	V1		
15		24	CFW500D24P0T4DBN1	Yes	D	14.3 x 7.1 x 6.6	10.2	\$2,229	V1		
25		31	CFW500D31P0T4DBN1	Yes	D	14.3 x 7.1 x 6.6	10.2	\$2,783	V1		
30		39	CFW500E39P0T4DBN1	Yes	E	13.8 x 8.7 x 7.6	22.1	\$3,346	V1		
40		49	CFW500E49P0T4DBN1	Yes	E	13.8 x 8.7 x 7.6	22.1	\$4,214	V1		
575 Vac ³ /3 Phase		Input Power Supply: Three-Phase 500-600 Vac									
		1 1/2	1.7	CFW500C01P7T5DBN1	Yes	C	10.0 x 5.3 x 6.5	5.3	\$910	V1	
		3	3.0	CFW500C03P0T5DBN1	Yes	C	10.0 x 5.3 x 6.5	5.3	\$954	V1	
		3	4.3	CFW500C04P3T5DBN1	Yes	C	10.0 x 5.3 x 6.5	5.3	\$1,073	V1	
	7 1/2	7.0	CFW500C07P0T5DBN1	Yes	C	10.0 x 5.3 x 6.5	5.3	\$1,276	V1		
	10	10.0	CFW500C10P0T5DBN1	Yes	C	10.0 x 5.3 x 6.5	5.3	\$1,621	V1		
10	12.0	CFW500C12P0T5DBN1	Yes	C	10.0 x 5.3 x 6.5	5.3	\$1,813	V1			

Notes:

- 1) "HP" rating based on "average FLA values". Use as a guide only.
 - 2) Motor FLA may vary with speed and manufacturer. ALWAYS compare motor FLA to Nominal AMPS of drive.
 - 3) All 575V drives are non-stocked items. Consult WEG for availability.
- For other technical data please refer to WEG product manual.

Options and Accessories

Type	CATALOG NUMBER	Description	Apprx. Shpg. Wt. (lbs.)	List Price	Multiplier Symbol
I/O	CFW500-IOS¹	CFW500 I/O Module; 4 DI, 1 AI, 1 AO, 1 DOR, 1 DOT, 1 RS485, 10vdc, 24vdc	0.2	\$110	V1
I/O	CFW500-IOD	CFW500 I/O Module; 8 DI, 1 AI, 1 AO, 1 DOR, 4 DOT, 1 RS485, 10vdc, 24vdc	0.2	\$141	V1
I/O	CFW500-IOAD	CFW500 I/O Module; 6 DI, 3 AI, 2 AO, 1 DOR, 3 DOT, 1 RS485, 10vdc, 24vdc	0.2	\$182	V1
I/O	CFW500-IOR	CFW500 I/O Module; 5 DI, 1 AI, 1 AO, 4 DOR, 1 DOT, 1 RS485, 10vdc, 24vdc	0.2	\$125	V1
Encoder Input	CFW500-ENC	CFW500 Encoder Module; Quad Input A & B, 1 RS485, 5 DI, 1 AI, 1 AO, 3 DOR, 1 DOT, 24vdc	0.2	\$210	V1
USB Card	CFW500-CUSB	CFW500 Comm. Module; 1 USB, 1 RS485, 4 DI, 1 AI, 1 AO, 1 DOR, 1 DOT, 10vdc, 24vdc	0.2	\$210	V1
RS232 Card	CFW500-CRS232	CFW500 Comm. Module; 1 RS232, 1 RS485, 4 DI, 1 AI, 1 AO, 1 DOR, 1 DOT, 24vdc	0.2	\$138	V1
RS485 Card	CFW500-CRS485	CFW500 Comm. Module; 2 RS485, 4 DI, 2 AI, 1 AO, 2 DOR, 1 DOT, 10vdc, 24vdc	0.2	\$143	V1
CANopen Card	CFW500-CCAN	CFW500 Comm. Module; 1 CAN/DeviceNet, 1 RS485, 2 DI, 1 AI, 1 AO, 1 DOR, 1 DOT, 10vdc, 24vdc	0.2	\$138	V1
Profibus DP Card	CFW500-CPDP	CFW500 Comm. Module; 2 DI, 1 AI, 1 AO, 1 DOR, 1 DOT, 1 Profibus DP, 1 RS485, 24vdc	0.2	\$405	V1
Profibus DP & DP-V1 Module	CFW500-CPDP2	CFW500 Comm. Module; 1-Profibus DP & DP-V1 100BASE TX RJ-45 Port, 1-RS485, 2-DI, 1-AI, 1-AO, 1-DOR, 1-DOT, 24vdc	0.2	\$445	V1
Modbus TCP Comm. Module	CFW500-CEMB-TCP	CFW500 Comm. Module; 1-Modbus TCP 100BASE TX RJ-45 Port, 1-RS485, 2-DI, 1-AI, 1-AO, 1-DOR, 1-DOT, 24vdc	0.2	\$499	V1
ProfiNet I/O Comm. Module	CFW500-CEPN-IO	CFW500 Comm. Module; 1-ProfiNet I/O 100BASE TX RJ-45 Port, 1-RS485, 2-DI, 1-AI, 1-AO, 1-DOR, 1-DOT, 24vdc	0.2	\$499	V1
EtherNet IP Comm. Module	CFW500-CETH-IP	CFW500 Comm. Module; 2-DI, 1-AI, 1-AO, 1-DOR, 1-DOT, 1-RS485, 1-EtherNet IP 100BASE TX RJ-45 Port, 24vdc	0.2	\$499	V1
Flash Memory Module	CFW500-MMF	CFW500 Flash Memory Module for saving and reloading program and parameters to / from the drive	0.2	\$189	V1
Remote Keypad	CFW500-HMIR 2	CFW500 Remote Keypad for mounting through enclosure door	0.6	\$169	V1
Remote Oper. Station	CSW-SP3PBS	Remote Operator Station-includes 22mm Start PB, Stop PB, 1-NC and 1-NO contact block, 5k-ohm Potentiometer and legends (replaces CFW-REM)	5.0	\$460	Z5
Remote Oper. Station	CSW30-SP3PBS	Remote Operator Station-includes 30mm Start PB, Stop PB, 1-NC and 1-NO contact block, 5k-ohm Potentiometer and legends (replaces CFW-REM)	5.0	\$535	Z5
HMI Cable 1M	CFW500-CCHMIR01M	3.3 ft (1 meter) Remote Keypad Cable	0.5	\$23	V1
HMI Cable 2M	CFW500-CCHMIR02M	6.6 ft (2 meter) Remote Keypad Cable	0.7	\$31	V1
HMI Cable 3M	CFW500-CCHMIR03M	9.9 ft (3 meter) Remote Keypad Cable	1.0	\$41	V1
HMI Cable 5M	CFW500-CCHMIR05M	16 ft (5 meter) Remote Keypad Cable	1.2	\$51	V1
HMI Cable 7.5M	CFW500-CCHMIR075M	25 ft (7.5 meter) Remote Keypad Cable	1.5	\$61	V1
HMI Cable 10M	CFW500-CCHMIR010M	33 ft (10 meter) Remote Keypad Cable	2.0	\$72	V1
USB Comm. Cable 2M	CFW500-USB02M	USB Communication Cable, 6.6 ft (2 meter) length	0.7	\$50	V1
NEMA1 Conduit Kit	CFW500-KN1A	NEMA 1 kit – Frame Size A		\$28	V1
NEMA1 Conduit Kit	CFW500-KN1B	NEMA 1 kit – Frame Size B		\$33	V1
NEMA1 Conduit Kit	CFW500-KN1C	NEMA 1 kit – Frame Size C		\$44	V1
NEMA1 Conduit Kit	CFW500-KN1D	NEMA 1 kit – Frame Size D		\$59	V1
NEMA1 Conduit Kit	CFW500-KN1E	NEMA 1 kit – Frame Size E		\$64	V1
Cable Sheild Clamp Kit	CFW500-KPCSA	Cable Sheild Clamp Kit for Frame A	1.0	\$41	V1
Cable Sheild Clamp Kit	CFW500-KPCSB	Cable Sheild Clamp Kit for Frame B	1.0	\$44	V1
Cable Sheild Clamp Kit	CFW500-KPCSC	Cable Sheild Clamp Kit for Frame C	1.1	\$46	V1
Cable Sheild Clamp Kit	CFW500-KPCSD	Cable Sheild Clamp Kit for Frame D	1.1	\$51	V1

Notes:

1) CFW500-IOS Card is included as standard with CFW500 Drives

2) CFW500-HMIR Remote Keypad requires Qty. (1) CFW500-CCHIR0xM cable. ("x" represents the cable length in meters)

General Information

CFW100

CFW300

CFW500

CFW700

CFW11

CFW11M

PUMP GENIUS

SINGLE PHASE

CFW08 WASH

CFW501

CFW701

HVV701

SSW05

SSW07

SSW06

EDP11 EDP700

GPH2

TPH2

Variable Frequency Drives



CFW500

Option Card I/O Table

CFW500 Option Module	DI ¹	AI	AO	DOR	DOT	Infrared	Encoder	USB	RS232	RS485	CANopen / DeviceNet	Profibus-DP / DP V1	Modbus TCP	ProfiNet I/O	EtherNet I/P
CFW500-IOS 1	4	1	1	1	1					1					
CFW500-IOD	8	1	1	1	4					1					
CFW500-IOAD	6	3	2	1	3					1					
CFW500-IOR	5	1	1	4	1	1				1					
CFW500-ENC	5	1	1	3	1		1			1					
CFW500-CUSB	4	1	1	1	1			1		1					
CFW500-CRS232	4	1	1	1	1				1	1					
CFW500-CRS485	4	2	1	2	1					2					
CFW500-CCAN	2	1	1	1	1					1	1				
CFW500-CPDP	2	1	1	1	1							1			
CFW500-CPDP2	2	1	1	1	1							1 & 1			
CFW500-CEMB-TCP	2	1	1	1	1								1		
CFW500-CEPN-IO	2	1	1	1	1									1	
CFW500-CETH-IP	2	1	1	1	1										1

Notes:

1) CFW500 Drive includes 4DI as standard. Option Modules provide suplimental I/O as shown in this table.

General Information

CFW100 CFW300

CFW500

CFW700

CFW11

CFW11M

PUMP GENIUS

CFW700 SINGLE PHASE

CFW08 WASH

CFW501

CFW701

HVW701

SSW05

SSW07

SSW06

EDP11 EDP700

GPH2

TPH2

Technical Data

Power Supply	Voltage	Single phase or Three Phase	200-240V (+10%, -15%)
		Three phase	380-480V (+10%, -15%)
	Frequency	50 / 60Hz +/- 2Hz	
	Displacement Power Factor (Cos)	Greater than 0.98	
Enclosure	Degree of Protection	NEMA 1	
	Mounting	Surface mounting with screws or DIN rail mounting	
Control	Control Modes	Volts per Hertz (Scalar)	
		Sensorless Voltage Vector	
	Power Output	Sinusoidal PWM (Space Vector Modulation)	
		IGBT Transistors	
	Switching Frequency	2.5, 5, 10 or 15kHz	
	Frequency Range	0-300 Hz	
	Overload Capacity	150% for 60 seconds, repeatable every 10 min.	
Control Inputs	4 programmable isolated digital inputs, NPN or 24Vdc logic (PNP)		
	2 programmable differential analog inputs; programmable for current or voltage Can be set as DI or as PTC input (0-10V, 4-20mA or 0-20mA)		
Control Outputs	2 programmable relay outputs: One NO (Form A) and one NC (Form B): 240 V / 0.5 A		
	1 Analog Output; programmable for voltage (0-10V) or current (0-20 mA or 4-20 mA) and with 0.25% linearity error		
Communication	Serial	Optional RS-232 serial interface, RS-485 with external RS-232/485 converter	
	Field Bus	Modbus RTU with external RS-232/485 converter	
Safety	Protections	Motor over current	DC link over voltage
		Motor overload	DC link under voltage
		Output phase-to-phase short circuit	Drive over temperature
		Output phase-to-ground short circuit	External fault
		Programming error	
Ambient	Temperature	14 - 122°F (50°C), up to 140°F (60°C) with 2% / 1.8°F (1°C) output current derating	
	Humidity	5-90% Non Condensing	
	Altitude	0-3300 ft (1000m), up to 13,200 ft (4000m) with 10% / 3300ft (1000m) output current derating	
Regulatory Conformance	EMC Directive 89 / 336 / EEC	Electromagnetic compatibility – Industrial Environment EMC Emission and Immunity with optional filter	
	ENC61800-3		
	LVD 73/23/EEC	Low Voltage Directive	
	UL 508 C	Power Conversion Equipment	
Special Functions	Linear and “S” ramp accel and decel, local/remote control, FWD/REV selection, DC braking, manual and auto torque boost, motor slip compensation, electronic pot, two skip frequencies, maximum and minimum adjustable frequency limits, adjustable output current, PID Controller		
Keypad	4 digit display, 2 indicator LEDs and 8 keys		
	Readouts for: output frequency (Hz), output current (A), output voltage (V), motor torque (%) in vector mode, DC bus voltage (V), value proportional to frequency (Ex.: RPM), heatsink temperature, fault and status messages		

CFW700

The WEG CFW700 Series was designed to exceed industry expectations. Based on the robust CFW11 platform the CFW700 is designed and optimized for variable torque applications such as pumps and fans.

The CFW700 is the optimal drive for pump and fan control. The drive includes features such as built in PID controllers that can be programmed in engineering units for ease of understanding and set up. The drive also features an integrated power supply to be used with external transducers to measure flow or pressure.

These features combined with the drive's keypad based start up guide, make installation and parameter set up fast and easy.

Standard Features

- Simplicity – same programming as all other WEG drives
- Dual DC Bus chokes for longer VFD lifetime (6% equivalent), reduces harmonics eliminating the need for external line reactors
- Plenum Rated - Meets UL94 Requirements
- 24VDC Power Supply for process transducers - Standard
- Soft-PLC with free programming software
- Encoder Input - Standard
- RS-485 Modbus RTU - Standard
- Conformal Coated boards for harsh industrial environments
- Rated 50 °C (122 °F) – up to 60 °C (140 °F) with derating
- Self-tuning function automatically matches VFD with motor
- UL, cUL, CE, C-Tick, GOST, IRAM approved
- SuperDrive G2 compatible



Applications

- Pumps
- Fans/Blowers
- Conveyers
- Compressors
- Agitators and Mixers
- Extruders
- Grizzly Feeders
- Centrifuges
- Cranes and Hoists
- Rollout Tables
- Presses
- Saws



CFW700 Catalog Number Sequence

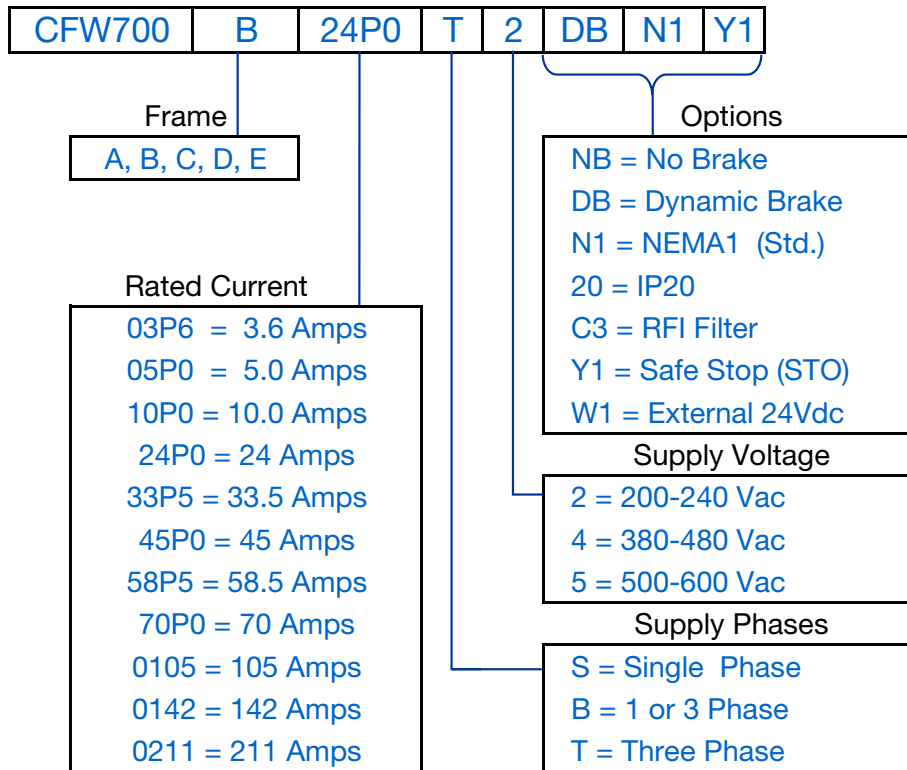


Table intended as reference only and not to create part numbers.

Variable Frequency Drives



CFW700

NEMA 1 Enclosure

Motor Voltage	ND / VT ¹		HD / CT ¹		Catalog Number	Braking Transistor	Frame Size	Dimensions (in.) HxWxD ⁶	Approx. Weight (lbs.) ⁶	List Price	Multiplier	
	Motor HP ²	Drive Amps ³	Motor HP ²	Drive Amps ³								
230 Vac	Input Power Supply: Single or Three-Phase 200-240 Vac with Dynamic Braking Transistor											
	1 1/2	6.0	1 1/2	5.0	CFW700A06P0B2DBN1	Yes	A	12.1 x 5.8 x 9.0	13.9	\$1,370	V1	
	2	7.0	2	7.0	CFW700A07P0B2DBN1	Yes	A	12.1 x 5.8 x 9.0	13.9	\$1,430	V1	
	Input Power Supply: Single-Phase 200-240 Vac with Dynamic Braking Transistor											
	3	10	3	10	CFW700A10P0S2DBN1	Yes	A	12.1 x 5.8 x 9.0	13.9	\$1,510	V1	
	Input Power Supply: Three-Phase 200-240 Vac with Dynamic Braking Transistor											
	2	7.0	1 1/2	5.5	CFW700A07P0T2DBN1	Yes	A	12.1 x 5.8 x 9.0	13.9	\$1,350	V1	
	3	10	2	8.0	CFW700A10P0T2DBN1	Yes	A	12.1 x 5.8 x 9.0	13.9	\$1,410	V1	
	5	13	3	11	CFW700A13P0T2DBN1	Yes	A	12.1 x 5.8 x 9.0	13.9	\$1,440	V1	
	5	16	5	13	CFW700A16P0T2DBN1	Yes	A	12.1 x 5.8 x 9.0	13.9	\$1,542	V1	
	7 1/2	24	7 1/2	20	CFW700B24P0T2DBN1	Yes	B	13.9 x 7.5 x 9.0	24.1	\$2,020	V1	
	10	28	10	24	CFW700B28P0T2DBN1	Yes	B	13.9 x 7.5 x 9.0	24.1	\$2,201	V1	
	10	33.5	10	28	CFW700B33P5T2DBN1	Yes	B	13.9 x 7.5 x 9.0	24.1	\$2,600	V1	
	15	45	15	36	CFW700C45P0T2DBN1	Yes	C	17.7 x 8.7 x 11.5	44.6	\$2,900	V1	
	20	54	20	45	CFW700C54P0T2DBN1	Yes	C	17.7 x 8.7 x 11.5	44.6	\$3,700	V1	
	25	70	20	56	CFW700C70P0T2DBN1	Yes	C	17.7 x 8.7 x 11.5	44.6	\$4,880	V1	
	30	86	25	70	CFW700D86P0T2DBN1	Yes	D	19.9 x 11.9 x 12.0	120.2	\$6,101	V1	
	40	105	30	86	CFW700D0105T2DBN1	Yes	D	19.9 x 11.9 x 12.0	120.2	\$8,100	V1	
	50	142	40	115	CFW700E142T2DBN1C3	Yes	E ⁵	26.6 x 13.2 x 14.1	143	\$11,500	V1	
	60	180	50	142	CFW700E180T2DBN1C3	Yes	E ⁵	26.6 x 13.2 x 14.1	143	\$15,500	V1	
	75	211	60	180	CFW700E211T2DBN1C3	Yes	E ⁵	26.6 x 13.2 x 14.1	143	\$21,222	V1	
	Input Power Supply: Three-Phase 200-240 Vac without Dynamic Braking Transistor											
	50	142	40	115	CFW700E142T2NBN1C3	No	E ⁵	26.6 x 13.2 x 14.1	143	\$10,101	V1	
60	180	50	142	CFW700E180T2NBN1C3	No	E ⁵	26.6 x 13.2 x 14.1	143	\$12,999	V1		
75	211	60	180	CFW700E211T2NBN1C3	No	E ⁵	26.6 x 13.2 x 14.1	143	\$18,555	V1		

Notes:

- 1) CT = Constant Torque, 150% overload / 60 sec.; VT = Variable Torque (Quadratic Load), 110% overload / 60 sec.
 - 2) "HP" rating based on "average FLA values". Use as a guide only.
 - 3) Motor FLA may vary with speed and manufacturer. ALWAYS compare motor FLA to Nominal AMPS of drive.
 - 4) All 575V drives are non-stocked items. Consult WEG for availability.
 - 5) Maximum 45°C ambient temperature without derating
 - 6) Dimensions and weights are provided for estimating purposes only.
- For other technical data please refer to WEG product manual.



NEMA 1 Enclosure

Motor Voltage	ND / VT ¹		HD / CT ¹		Catalog Number	Braking Transistor	Frame Size	Dimensions (in.) HxWxD ⁶	Approx. Weight (lbs.) ⁶	List Price	Multiplier
	Motor HP ²	Drive Amps ³	Motor HP ²	Drive Amps ³							
460 Vac	Input Power Supply: Three-Phase 380-480 Vac with Dynamic Braking Transistor										
	2	3.6	2	3.6	CFW700A03P6T4DBN1	Yes	A	12.1 x 5.8 x 9.0	13.9	\$1,350	V1
	3	5.0	3	5.0	CFW700A05P0T4DBN1	Yes	A	12.1 x 5.8 x 9.0	13.9	\$1,444	V1
	5	7.0	3	5.5	CFW700A07P0T4DBN1	Yes	A	12.1 x 5.8 x 9.0	13.9	\$1,510	V1
	7 1/2	10	5	10	CFW700A10P0T4DBN1	Yes	A	12.1 x 5.8 x 9.0	13.9	\$1,600	V1
	10	13.5	7 1/2	11	CFW700A13P5T4DBN1	Yes	A	12.1 x 5.8 x 9.0	13.9	\$1,711	V1
	10	17	10	13.5	CFW700B17P0T4DBN1	Yes	B	13.9 x 7.5 x 9.0	24.1	\$2,055	V1
	15	24	10	19	CFW700B24P0T4DBN1	Yes	B	13.9 x 7.5 x 9.0	24.1	\$2,455	V1
	20	31	15	25	CFW700B31P0T4DBN1	Yes	B	13.9 x 7.5 x 9.0	24.1	\$3,450	V1
	25	38	20	33	CFW700C38P0T4DBN1	Yes	C	17.7 x 8.7 x 11.5	44.6	\$3,888	V1
	30	45	25	38	CFW700C45P0T4DBN1	Yes	C	17.7 x 8.7 x 11.5	44.6	\$5,000	V1
	40	58.5	30	47	CFW700C58P5T4DBN1	Yes	C	17.7 x 8.7 x 11.5	44.6	\$5,800	V1
	50/60	70.5	40	61	CFW700D70P5T4DBN1	Yes	D	19.9 x 11.9 x 12.0	120.2	\$6,888	V1
	60/75	88	50	73	CFW700D88P0T4DBN1	Yes	D	19.9 x 11.9 x 12.0	120.2	\$8,100	V1
	75	105	75	88	CFW700E105T4DBN1C3	Yes	E ⁵	26.6 x 13.2 x 14.1	143	\$11,989	V1
	100/125	142	75	115	CFW700E142T4DBN1C3	Yes	E ⁵	26.6 x 13.2 x 14.1	143	\$14,989	V1
	150	180	100	142	CFW700E180T4DBN1C3	Yes	E ⁵	26.6 x 13.2 x 14.1	143	\$20,989	V1
	175	211	150	180	CFW700E211T4DBN1C3	Yes	E ⁵	26.6 x 13.2 x 14.1	143	\$25,989	V1
	Input Power Supply: Three-Phase 380-480 Vac without Dynamic Braking Transistor										
	75	105	75	88	CFW700E105T4NBN1C3	No	E ⁵	26.6 x 13.2 x 14.1	143	\$9,999	V1
100/125	142	75	115	CFW700E142T4NBN1C3	No	E ⁵	26.6 x 13.2 x 14.1	143	\$12,000	V1	
150	180	100	142	CFW700E180T4NBN1C3	No	E ⁵	26.6 x 13.2 x 14.1	143	\$15,400	V1	
175	211	150	180	CFW700E0211T4NBN1C3	No	E ⁵	26.6 x 13.2 x 14.1	143	\$18,787	V1	

- Notes:
- 1) CT = Constant Torque, 150% overload / 60 sec.; VT = Variable Torque (Quadratic Load), 110% overload / 60 sec.
 - 2) "HP" rating based on "average FLA values". Use as a guide only.
 - 3) Motor FLA may vary with speed and manufacturer. ALWAYS compare motor FLA to Nominal AMPS of drive.
 - 4) All 575V drives are non-stocked items. Consult WEG for availability.
 - 5) Maximum 45°C ambient temperature without derating
 - 6) Dimensions and weights are provided for estimating purposes only.
- For other technical data please refer to WEG product manual.

- General Information
- CFW100
- CFW300
- CFW500
- CFW700
- CFW700
- CFW11
- CFW11M
- PUMP GENIUS
- CFW700 SINGLE PHASE
- CFW08 WASH
- CFW501
- CFW701
- HVV701
- SSW05
- SSW07
- SSW06
- EDP11 EDP700
- GPH2
- TPH2

Variable Frequency Drives



CFW700

NEMA 1 Enclosure

Motor Voltage	ND / VT ¹		HD / CT ¹		Catalog Number	Braking Transistor	Frame Size	Dimensions (in.) HxWxD ⁶	Approx. Weight (lbs.) ⁶	List Price	Multiplier
	Motor HP ²	Drive Amps ³	Motor HP ²	Drive Amps ³							
575 Vac ⁴	Input Power Supply: Three-Phase 500-600 Vac with Dynamic Braking Transistor										
	2	2.9	2	2.7	CFW700B02P9T5DBN1	Yes	B	13.9 x 7.5 x 9.0	24.1	\$1,689	V1
	3	4.2	3	3.8	CFW700B04P2T5DBN1	Yes	B	13.9 x 7.5 x 9.0	24.1	\$1,759	V1
	7 1/2	7.0	5	6.5	CFW700B07P0T5DBN1	Yes	B	13.9 x 7.5 x 9.0	24.1	\$1,874	V1
	10	10	7 1/2	9.0	CFW700B10P0T5DBN1	Yes	B	13.9 x 7.5 x 9.0	24.1	\$2,048	V1
	10	12	10	10	CFW700B12P0T5DBN1	Yes	B	13.9 x 7.5 x 9.0	24.1	\$2,171	V1
	15	17	15	17	CFW700B17P0T5DBN1	Yes	B	13.9 x 7.5 x 9.0	24.1	\$2,552	V1
	20	22	20	19	CFW700D22P0T5DBN1	Yes	D	19.9 x 11.9 x 12.0	120.2	\$4,235	V1
	25	27	20	22	CFW700D27P0T5DBN1	Yes	D	19.9 x 11.9 x 12.0	120.2	\$4,506	V1
	30	32	25	27	CFW700D32P0T5DBN1	Yes	D	19.9 x 11.9 x 12.0	120.2	\$6,486	V1
	40	44	30	36	CFW700D44P0T5DBN1	Yes	D	19.9 x 11.9 x 12.0	120.2	\$7,309	V1
	50	53	40	44	CFW700E53P0T5DBN1C3	Yes	E ⁵	26.6 x 13.2 x 14.1	143	\$9,118	V1
	60	63	50	53	CFW700E63P0T5DBN1C3	Yes	E ⁵	26.6 x 13.2 x 14.1	143	\$11,580	V1
	75	80	75	66	CFW700E80P0T5DBN1C3	Yes	E ⁵	26.6 x 13.2 x 14.1	143	\$12,091	V1
	100	107	100	90	CFW700E107T5DBN1C3	Yes	E ⁵	26.6 x 13.2 x 14.1	143	\$16,240	V1
	125	125	100	107	CFW700E125T5DBN1C3	Yes	E ⁵	26.6 x 13.2 x 14.1	143	\$16,910	V1
	150	150	125	122	CFW700E150T5DBN1C3	Yes	E ⁵	26.6 x 13.2 x 14.1	143	\$23,456	V1
	Input Power Supply: Three-Phase 500-600 Vac without Dynamic Braking Transistor										
	20	22	20	19	CFW700D22P0T5NBN1	No	D	26.6 x 13.2 x 14.1	120.2	\$3,921	V1
	25	27	20	22	CFW700D27P0T5NBN1	No	D	26.6 x 13.2 x 14.1	120.2	\$4,450	V1
30	32	25	27	CFW700D32P0T5NBN1	No	D	26.6 x 13.2 x 14.1	120.2	\$5,763	V1	
40	44	30	36	CFW700D44P0T5NBN1	No	D	26.6 x 13.2 x 14.1	120.2	\$6,768	V1	
50	53	40	44	CFW700E53P0T5NBN1C3	No	E ⁵	26.6 x 13.2 x 14.1	143	\$8,446	V1	
60	63	50	53	CFW700E63P0T5NBN1C3	No	E ⁵	26.6 x 13.2 x 14.1	143	\$10,728	V1	
75	80	75	66	CFW700E80P0T5NBN1C3	No	E ⁵	26.6 x 13.2 x 14.1	143	\$11,200	V1	
100	107	100	90	CFW700E107T5NBN1C3	No	E ⁵	26.6 x 13.2 x 14.1	143	\$15,042	V1	
125	125	100	107	CFW700E125T5NBN1C3	No	E ⁵	26.6 x 13.2 x 14.1	143	\$15,662	V1	
150	150	125	122	CFW700E150T5NBN1C3	No	E ⁵	26.6 x 13.2 x 14.1	143	\$21,723	V1	

Notes:

- 1) CT = Constant Torque, 150% overload / 60 sec.; VT = Variable Torque (Quadratic Load), 110% overload / 60 sec.
 - 2) "HP" rating based on "average FLA values". Use as a guide only.
 - 3) Motor FLA may vary with speed and manufacturer. ALWAYS compare motor FLA to Nominal AMPS of drive.
 - 4) All 575V drives are non-stocked items. Consult WEG for availability.
 - 5) Maximum 45°C ambient temperature without derating
 - 6) Dimensions and weights are provided for estimating purposes only.
- For other technical data please refer to WEG product manual.

CFW100 CFW300 CFW500 CFW700 CFW11 CFW11M PUMP GENIUS CFW700 SINGLE PHASE CFW08 WASH CFW501 CFW701 HWW701 SSW05 SSW07 SSW06 EDP11 EDP700 GPH2 TPH2

Options and Accessories

Type	Catalog Number	Description	List Price	Multiplier
Communication	CAN-01	CAN interface module (CANopen/DeviceNet) (CFW11 & CFW700)	\$410	V1
	PROFIBUS DP-01	Profibus DP-V1 interface module (CFW11 & CFW700)	\$520	V1
I/O	CCK-01	Relay Output Module for CFW700 and CFW701, 2 Form C Relay Outputs	\$105	V1
Flash Memory	MMF-02	Flash Memory Module for CFW700 and CFW701	\$71	V1
Keypad and Accessories	HMI-02	CFW700 Standard Keypad with USB	\$320	V1
	RHMIF-02	CFW700 Remote Keypad Frame Kit	\$69	V1
	HMI-03	CFW701 Standard Keypad with USB	\$320	V1
	RHMIF-03	CFW701 Remote Keypad Frame Kit	\$69	V1
	HMID-01	Blank Keypad Cover for Keypad Slot (CFW11, CFW700 & CFW701)	\$54	V1
Remote Keypad Cable	IHM-CAB-RS-1M	3.3 ft (1 meter) Remote Keypad Cable (CFW11 & CFW700)	\$54	V1
	IHM-CAB-RS-2M	6.6 ft (2 meter) Remote Keypad Cable (CFW11 & CFW700)	\$60	V1
	IHM-CAB-RS-3M	9.9 ft (3 meter) Remote Keypad Cable (CFW11 & CFW700)	\$66	V1
	IHM-CAB-RS-5M	16 ft (5 meter) Remote Keypad Cable (CFW11 & CFW700)	\$75	V1
	IHM-CAB-RS-7.5M	25 ft (7.5 meter) Remote Keypad Cable (CFW11 & CFW700)	\$90	V1
	IHM-CAB-RS-10M	33 ft (10 meter) Remote Keypad Cable (CFW11 & CFW700)	\$102	V1
Remote Oper. Station	CSW-SP3PBS	Remote Operator Station-includes 22mm Start PB, Stop PB, 1-NC and 1-NO contact block, 5k-ohm Potentiometer and legends (replaces CFW-REM)	\$460	Z5
	CSW30-SP3PBS	Remote Operator Station-includes 30mm Start PB, Stop PB, 1-NC and 1-NO contact block, 5k-ohm Potentiometer and legends (replaces CFW-REM)	\$535	Z5
Conduit Kit	KN1A-02	Conduit Kit for frame size A with power cables shielding	\$125	V1
	KN1B-02	Conduit Kit for frame size B with power cables shielding	\$125	V1
	KN1C-02	Conduit Kit for frame size C with power cables shielding	\$142	V1
	KN1E-01	Top cover kit for frame size E (105 & 142A)	\$78	V1
	KN1E-02	Top cover kit plus Conduit kit for frame size E (180 & 211A)	\$213	V1
	KIP21D-01	IP21 Kit for Frame size D (top cover) (CFW11 & CFW700)	\$120	V1
Cable Shield Kit	PCSA-01	Power Cables Shielding Kit for frame size A (CFW11 & CFW700)	\$48	V1
	PCSB-01	Power Cables Shielding Kit for frame size B (CFW11 & CFW700)	\$51	V1
	PCSC-01	Power Cables Shielding Kit for frame size C (CFW11 & CFW700)	\$54	V1
	PCSD-01	Power Cables Shielding Kit for frame size D (CFW11 & CFW700)	\$56	V1
	PCSE-01	Power Cables Shielding Kit for frame size E (CFW11 & CFW700)	\$76	V1

- General Information
- CFW100
- CFW300
- CFW500
- CFW700
- CFW11
- CFW11M
- PUMP GENIUS
- CFW700 SINGLE PHASE
- CFW08 WASH
- CFW501
- CFW701
- CFW701
- HVV701
- SSW05
- SSW07
- SSW06
- EDP11 EDP700
- GPH2
- TPH2

Variable Frequency Drives



CFW700

Technical Data

CFW100 CFW300 CFW500 CFW700	Power Supply	Voltage	Single Phase or Three Phase	200-240V (+10%, -15%)		
			Three phase	380-480V (+10%, -15%)		
		Frequency	50 / 60Hz +/- 2Hz			
		Displacement Power Factor (Cos)	Greater than 0.98			
CFW11	Enclosure	Degree of Protection	NEMA 1			
CFW11 CFW11M PUMP GENIUS CFW700 SINGLE PHASE CFW08 WASH CFW501 CFW701 HVW701 SSW05 SSW07 SSW06 EDP11 EDP700 GPH2 TPH2	Control	Control Modes	Volts per Hertz (Scalar)	Voltage Vector (VVW)		
			Sensorless Vector	Vector with encoder		
	Power Output	Sinusoidal PWM (Space Vector Modulation)				
		IGBT Transistors				
		Switching Frequency	1.25, 2.0, 2.5, 5.0 or 10.0 kHz			
		Frequency Range	0-300 Hz in Scalar Mode; 120 Hz in Vector Mode			
	Overload Capacity	CT = Constant Torque, 150% overload / 60 sec. VT = Variable Torque (Quadratic Load), 110% overload / 60 sec.				
CFW11 CFW11M	Control Inputs	8 programmable isolated digital inputs, 24Vdc logic				
		2 isolated programmable differential analog inputs 11 bit; programmable for current or voltage (0-10V, 4-20mA or 0-20mA)				
		Motor thermistor - PTC/PT100/KTY84				
		Incremental encoder input – 5 to 12V				
PUMP GENIUS CFW700 SINGLE PHASE CFW08 WASH CFW501 CFW701 HVW701 SSW05 SSW07 SSW06 EDP11 EDP700 GPH2 TPH2	Control Outputs	1 programmable relay output; NO/NC (Form C); 240Vac, 30Vdc / 0.75 A				
		4 programmable isolated open collector digital outputs; 24Vdc, 80mA max.				
		2 non-isolated programmable analog outputs 10 bit; programmable for current or voltage (0-10V, 4-20mA or 0-20mA)				
CFW700 SINGLE PHASE CFW08 WASH CFW501 CFW701 HVW701 SSW05 SSW07 SSW06 EDP11 EDP700 GPH2 TPH2	Communication	Serial	Optional RS-232 serial interface, RS-485 with external RS-232/485 converter			
		Field Bus	Isolated RS-485 / Modbus RTU (standard)			
			CAN interface module (CANopen/DeviceNet)			
CFW700 SINGLE PHASE CFW08 WASH CFW501 CFW701 HVW701 SSW05 SSW07 SSW06 EDP11 EDP700 GPH2 TPH2	Safety	Protections	Motor over current	DC link over voltage		
			Motor overload	DC link under voltage		
			Output phase-to-phase short circuit	Drive over temperature		
			Output phase-to-ground short circuit	External fault		
			Programming error			
CFW700 SINGLE PHASE CFW08 WASH CFW501 CFW701 HVW701 SSW05 SSW07 SSW06 EDP11 EDP700 GPH2 TPH2	Ambient	Temperature	14 - 122°F (50°C), up to 140°F (60°C) with 2% / 1.8°F (1°C) output current derating			
		Humidity	5-90% Non Condensing			
		Altitude	0-3300 ft (1000m), up to 13,200 ft (4000m) with 1% output current derating per 330ft (100m) above 3300 ft (1000m).			
CFW700 SINGLE PHASE CFW08 WASH CFW501 CFW701 HVW701 SSW05 SSW07 SSW06 EDP11 EDP700 GPH2 TPH2	Regulatory / Safety Conformance	IEC 60146	Semiconductor convertors			
		UL 508 C	Power Conversion Equipment			
		UL 840	Insulation coordination including clearances and creepage distances for electrical equipment.			
		UL 94	Plenum Rated - Meets UL94 Standard for Tests for Flammability			
		EN 50178	Electronic equipment for use in power installations			
		EN 61800-2	General requirements adjustable speed electrical power drive systems			
		EN 61800-3	EMC product standard including specific test methods adjustable speed electrical power drive systems			
		EN 61800-5-1	Safety requirements adjustable speed electrical power drive systems			
		EN 60204-1	Safety of machinery. Electrical equipment of machines. Part 1: General requirements.			
		RoHS and WEEE Guidelines				
EDP11 EDP700	Approvals	UL, cUL, CE, C-Tick, GOST, IRAM				
GPH2 TPH2	Special Functions	Linear and "S" ramp accel and decel, local/remote control, FWD/REV selection, DC braking, manual and auto torque boost, motor slip compensation, electronic pot, two skip frequencies, max. and min. adjustable frequency limits, adjustable output current, PID Controller				
	Keypad	Backlit LCD display with 9 operator keys, remote mounting option available				
		Readouts for: output frequency (Hz), output current (A), output voltage (V), motor torque (%) in vector mode, DC bus voltage (V), value proportional to frequency (Ex.: RPM), heatsink temperature, fault and status messages				



NON-STOCK (call for lead time)

100% Braking Torque at 20% Duty Cycle (12 Seconds Max. Braking Time) NEMA 1 Enclosure

Motor Voltage	Motor HP ¹	CFW11 Catalog Number	Braking Resistor Catalog Number ²	Rated Ohms	Rated Watts	Dimensions (in.) HxWxD ³	List Price	Multiplier	
230 Vac	1 1/2	CFW700A06P0B2DBN1	CFDB5-125-224	125	224	5 x 12 x 5	\$520	V1	
	2	CFW700A07P0B2DBN1	CFDB5-95-298	95	298	5 x 12 x 7	\$749	V1	
	2	CFW700A07P0T2DBN1	CFDB5-95-298	95	298	5 x 12 x 7	\$749	V1	
	3	CFW700A10P0S2DBN1	CFDB5-63-448	63	448	5 x 12 x 7	\$749	V1	
	3	CFW700A10P0T2DBN1	CFDB5-63-448	63	448	5 x 12 x 7	\$749	V1	
	5	CFW700A13P0T2DBN1	CFDB5-38-746	38	746	5 x 12 x 10	\$941	V1	
	5	CFW700A16P0T2DBN1	CFDB5-38-746	38	746	5 x 12 x 10	\$941	V1	
	7 1/2	CFW700B24P0T2DBN1	CFDB5-26-1119	26	1,119	5 x 12 x 13	\$1,130	V1	
	10	CFW700B28P0T2DBN1	CFDB5-19-1492	19	1,492	5 x 12 x 16	\$1,322	V1	
	10	CFW700B33P5T2DBN1	CFDB5-19-1492	19	1,492	5 x 12 x 16	\$1,322	V1	
	15	CFW700C45P0T2DBN1	CFDB5-13-2238	12.6	2,238	5 x 19 x 10	\$1,644	V1	
	20	CFW700C54P0T2DBN1	CFDB5-10-2984	9.6	2,984	5 x 19 x 10	\$1,644	V1	
	25	CFW700C70P0T2DBN1	CFDB5-8-3730	7.5	3,730	5 x 19 x 13	\$1,997	V1	
	30	CFW700D86P0T2DBN1	CFDB5-7-4476	6.3	4,476	5 x 26.5 x 13	\$2,588	V1	
	40	CFW700D0105T2DBN1	CFDB5-5-5968	4.9	5,968	5 x 26.5 x 16	\$3,269	V1	
	460 Vac	50	CFW700E142T2DBN1C3	CFDB5-4-7460	3.9	7,460	10 x 28 x 10	\$3,820	V1
		60	CFW700E180T2DBN1C3	CFDB5-4-8952	3.3	8,952	10 x 28 x 10	\$3,820	V1
75		CFW700E211T2DBN1C3	CFDB5-3-11190	2.7	11,190	10 x 28 x 13	\$5,622	V1	
2		CFW700A03P6T4DBN1	CFDB5-375-298	375	298	5 x 12 x 7	\$749	V1	
3		CFW700A05P0T4DBN1	CFDB5-250-448	250	448	5 x 12 x 7	\$749	V1	
5		CFW700A07P0T4DBN1	CFDB5-150-746	150	746	5 x 12 x 10	\$941	V1	
7 1/2		CFW700A10P0T4DBN1	CFDB5-100-1119	100	1,119	5 x 12 x 13	\$1,130	V1	
10		CFW700A13P5T4DBN1	CFDB5-75-1492	75	1,492	5 x 12 x 16	\$1,322	V1	
10		CFW700B17P0T4DBN1	CFDB5-75-1492	75	1,492	5 x 12 x 16	\$1,322	V1	
15		CFW700B24P0T4DBN1	CFDB5-50-2238	50	2,238	5 x 19 x 13	\$1,820	V1	
20		CFW700B31P0T4DBN1	CFDB5-38-2984	38	2,984	5 x 19 x 16	\$2,201	V1	
25		CFW700C38P0T4DBN1	CFDB5-30-3730	30	3,730	5 x 26.5 x 13	\$2,511	V1	
30		CFW700C45P0T4DBN1	CFDB5-25-4476	25	4,476	5 x 26.5 x 13	\$2,511	V1	
40		CFW700C58P5T4DBN1	CFDB5-19-5968	19	5,968	5 x 26.5 x 16	\$2,938	V1	
50/60		CFW700D70P5T4DBN1	CFDB2-15-8952	15	8,952	10 x 28 x 13	\$4,328	V1	
60/75		CFW700D88P0T4DBN1	CFDB5-10-11190	10	11,190	10 x 28 x 16	\$5,659	V1	
75		CFW700E105T4DBN1C3	CFDB5-10-11190	10	11,190	10 x 28 x 16	\$5,659	V1	
100/125	CFW700E142T4DBN1C3	CFDB5-8-18650	8	18,650	24 x 30 x 18	\$9,560	V1		
150	CFW700E180T4DBN1C3	CFDB5-5-22380	5	22,380	24 x 30 x 18	\$11,854	V1		
175	CFW700E211T4DBN1C3	CFDB5-5-29840	5	29,840	24 x 30 x 18	\$11,854	V1		

Notes:

1) Dimensions are provided for estimating purposes only.

General Information

CFW100

CFW300

CFW500

CFW700

CFW11

CFW11M

PUMP GENIUS

CFW700 SINGLE PHASE

CFW08 WASH

CFW501

CFW701

HVW701

SSW05

SSW07

SSW06

EDP11 EDP700

GPH2

TPH2

Variable Frequency Drives



Dynamic Braking Resistors for CFW700

NON-STOCK (call for lead time)

100% Braking Torque at 50% Duty Cycle (30 Seconds Max. Braking Time)

NEMA 1 Enclosure

Motor Voltage	Motor HP ¹	CFW700 Catalog Number	Braking Resistor Catalog Number ²	Rated Ohms	Rated Watts	Dimensions (in.) HxWxD ³	List Price	Multiplier
230 Vac	1 1/2	CFW700A06P0B2DBN1	CFDB5-125-560	125	560	5 x 12 x 10	\$941	V1
	2	CFW700A07P0B2DBN1	CFDB5-95-746	95	746	5 x 12 x 10	\$941	V1
	2	CFW700A7P0T2DBN1	CFDB5-95-746	95	746	5 x 12 x 10	\$941	V1
	3	CFW700A10P0S2DBN1	CFDB5-63-1119	63	1,119	5 x 12 x 10	\$1,130	V1
	3	CFW700A10P0T2DBN1	CFDB5-63-1119	63	1,119	5 x 12 x 10	\$1,130	V1
	5	CFW700A13P0T2DBN1	CFDB5-38-1865	38	1,865	5 x 19 x 13	\$1,820	V1
	5	CFW700A16P0T2DBN1	CFDB5-38-1865	38	1,865	5 x 19 x 13	\$1,820	V1
	7 1/2	CFW700B24P0T2DBN1	CFDB5-26-2798	26	2,798	5 x 26.5 x 13	\$2,511	V1
	10	CFW700B28P0T2DBN1	CFDB5-19-3730	19	3,730	5 x 26.5 x 13	\$2,511	V1
	10	CFW700B33P5T2DBN1	CFDB5-19-3730	19	3,730	5 x 26.5 x 13	\$2,511	V1
	15	CFW700C45P0T2DBN1	CFDB5-13-5595	12.6	5,595	5 x 26.5 x 16	\$2,938	V1
	20	CFW700C54P0T2DBN1	CFDB5-10-7460	9.6	7,460	10 x 28 x 13	\$4,663	V1
	25	CFW700C70P0T2DBN1	CFDB5-8-9325	7.5	9,325	10 x 28 x 13	\$4,663	V1
	30	CFW700D86P0T2DBN1	CFDB5-7-11190	6.3	11,190	10 x 28 x 16	\$5,254	V1
	40	CFW700D0105T2DBN1	CFDB5-5-14920	4.9	14,920	24 x 30 x 18	\$6,762	V1
	50	CFW700E142T2DBN1C3	CFDB5-4-18650	3.9	18,650	24 x 30 x 18	\$10,325	V1
	60	CFW700E180T2DBN1C3	CFDB5-4-22380	3.3	22,380	24 x 30 x 18	\$10,325	V1
	75	CFW700E211T2DBN1C3	CFDB5-3-27975	2.7	27,975	32 x 30 x 18	\$10,325	V1
	460 Vac	2	CFW700A03P6T4DBN1	CFDB5-375-746	375	746	5 x 12 x 13	\$1,130
3		CFW700A05P0T4DBN1	CFDB5-250-1119	250	1,119	5 x 12 x 16	\$1,511	V1
5		CFW700A07P0T4DBN1	CFDB5-150-1865	150	1,865	5 x 19 x 13	\$1,703	V1
7 1/2		CFW700A10P0T4DBN1	CFDB5-100-2798	100	2,798	5 x 19 x 16	\$1,892	V1
10		CFW700A13P5T4DBN1	CFDB5-75-3730	75	3,730	5 x 26.5 x 16	\$2,938	V1
10		CFW700B17P0T4DBN1	CFDB5-75-3730	75	3,730	5 x 26.5 x 16	\$2,938	V1
15		CFW700B24P0T4DBN1	CFDB5-50-5595	50	5,595	10 x 28 x 13	\$4,254	V1
20		CFW700B31P0T4DBN1	CFDB5-38-7460	38	7,460	10 x 28 x 13	\$4,254	V1
25		CFW700C38P0T4DBN1	CFDB5-30-9325	30	9,325	10 x 28 x 16	\$4,715	V1
30		CFW700C45P0T4DBN1	CFDB5-25-11190	25	11,190	10 x 28 x 16	\$5,071	V1
40		CFW700C58P5T4DBN1	CFDB5-19-14920	19	14,920	24 x 30 x 18	\$8,858	V1
50/60		CFW700D70P5T4DBN1	CFDB2-15-22380	15	22,380	24 x 30 x 18	\$10,176	V1
75		CFW700D88P0T4DBN1	CFDB5-10-27975	10	27,975	32 x 30 x 18	\$14,625	V1
75		CFW700E105T4DBN1C3	CFDB5-10-27975	10	27,975	32 x 30 x 18	\$14,625	V1
100/125		CFW700E142T4DBN1C3	CFDB5-8-46625	8	46,625	32 x 30 x 18	\$16,923	V1
150		CFW700E180T4DBN1C3	CFDB5-5-55950	5	55,950	48 x 30 x 18	\$18,814	V1
175		CFW700E211T4DBN1C3	CFDB5-5-74600	5	74,600	72 x 30 x 18	\$31,678	V1

Notes:

- 1) "HP" rating based on "average FLA values". Use as a guide only.
- 2) Dynamic Braking Resistors are non-stock items. Consult WEG for availability.
- 3) Dimensions are provided for estimating purposes only.



NON-STOCK (call for lead time)

3% Z (Impedance) – NEMA 1 Enclosure

Motor Voltage	Motor HP	Reactor Amps	Catalog Number	Dimensions (in.) ¹ HxWxD	Approx. Weight (lbs.) ¹	List Price	Multiplier
230 Vac	Input Power Supply: Three-Phase 230 Vac						
	3	12	LRW012D3N1	8 x 8 x 6	16	\$436	V1
	5	18	LRW018D3N1	8 x 8 x 6	16	\$512	V1
	7 1/2	25	LRW025D3N1	13 x 13.3 x 13.1	42	\$590	V1
	10	35	LRW035D3N1	13 x 13.3 x 13.1	45	\$634	V1
	15	45	LRW045D3N1	13 x 13.3 x 13.1	54	\$756	V1
	20	55	LRW055D3N1	13 x 13.3 x 13.1	55	\$890	V1
	25 / 30	80	LRW080D3N1	13 x 13.3 x 13.1	74	\$905	V1
	40	100	LRW100D3N1	13 x 13.3 x 13.1	78	\$1,086	V1
	50	130	LRW130D3N1	13 x 13.3 x 13.1	60	\$1,175	V1
	60	160	LRW160D3N1	13 x 13.3 x 13.1	71	\$1,424	V1
75	200	LRW200D3N1	13 x 13.3 x 13.1	79	\$1,488	V1	
460 Vac	Input Power Supply: Three-Phase 460 Vac						
	1 1/2	2	LRW002G3N1	8 x 8 x 6	11	\$387	V1
	2, 3	4	LRW004G3N1	8 x 8 x 6	11	\$394	V1
	5	8	LRW008G3N1	8 x 8 x 6	14	\$415	V1
	7 1/2	12	LRW012G3N1	8 x 8 x 6	16	\$452	V1
	10	18	LRW018G3N1	8 x 8 x 6	16	\$519	V1
	15	25	LRW025G3N1	13 x 13.3 x 13.1	42	\$601	V1
	20 / 25	35	LRW035G3N1	13 x 13.3 x 13.1	45	\$715	V1
	30	45	LRW045G3N1	13 x 13.3 x 13.1	54	\$841	V1
	40	55	LRW055G3N1	13 x 13.3 x 13.1	55	\$987	V1
	50 / 60	80	LRW080G3N1	13 x 13.3 x 13.1	60	\$1,179	V1
	75	100	LRW100G3N1	13 x 13.3 x 13.1	71	\$1,450	V1
	100	130	LRW130G3N1	13 x 13.3 x 13.1	74	\$1,750	V1
	125	160	LRW160G3N1	13 x 13.3 x 13.1	48	\$2,060	V1
	150	200	LRW200G3N1	13 x 13.3 x 13.1	79	\$2,400	V1
	200	250	LRW250G3N1	24 x 18.4 x 16.8	99	\$2,990	V1
	250	320	LRW320G3N1	24 x 18.4 x 16.8	155	\$3,700	V1
	300	400	LRW400G3N1	24 x 18.4 x 16.8	155	\$4,962	V1
	350 / 400	500	LRW500G3N1	47 x 26.5 x 24.9	165	\$6,446	V1
	450 / 500	600	LRW600G3N1	47 x 26.5 x 24.9	205	\$7,950	V1
750 / 800	1000	LRW1000G3N1	Consult Factory			\$9,788	V1

Notes:

1) Dimensions and weights are provided for estimating purposes only.

General Information

CFW100

CFW300

CFW500

CFW700

CFW11

CFW11M

PUMP GENIUS

CFW700 SINGLE PHASE

CFW08 WASH

CFW501

CFW701

HVW701

SSW05

SSW07

SSW06

EDP11 EDP700

GPH2

TPH2

Variable Frequency Drives

General Information

CFW11

WEG's CFW11 uses state-of-the-art technology to control motors up to 1000HP. Aimed at increasing customers productivity, the CFW11 offers the following innovations:

Standard Features

- Same programming as all other WEG VFD's
- Plug and play philosophy (connect and use) enables quick and easy installation of accessories and options.
- USB for microcomputer connection for using SUPERDRIVE programming and monitoring software as well as updating inverter firmware.
- Human-Machine Interface (HMI) with backlit graphic display and soft-keys, greatly facilitates inverter programming and operation.
- DC link inductors (symetrically connected to positive and negative DC link terminals) enable compliance with IEC61000-3-12 standard requirements regarding harmonics, (no need for external line reactance.)
- Intelligent thermal management enables full protection of IGBTs, monitoring of heatsink and internal air temperature.
- Conformal coated circuit boards.



Applications

- Pumps
- Fans/Blowers
- Conveyors
- Compressors
- Agitators and Mixers
- Extruders
- Grizzly Feeders
- Centrifuges
- Cranes and Hoists
- Rollout Tables
- Presses
- Saws

Optional Features

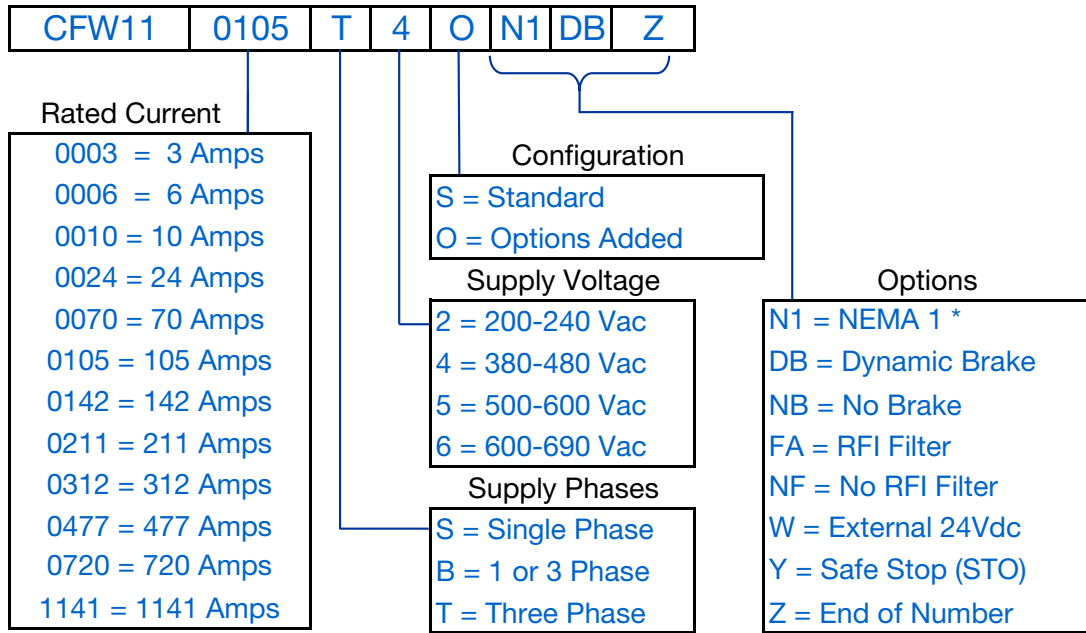
- Safety stop in compliance with EN 954 - 1/category III**
- External control feed with 24 Vdc
- RFI filter in compliance with EN 61800-3 (internal)**
- DB Resistors and line/load reactors available upon request

**factory ordered

CFW100 CFW300 CFW500 CFW700 CFW11 CFW11M PUMP SINGLE PHASE CFW700 WASH CFW501 CF2701 HVW701 SSW05 SSW07 SSW06

EDP11 GPH2 TPH2

CFW11 Catalog Number Sequence



* CFW11 Frames F and G are IP20 Chassis

Table intended as reference only and not to create part numbers.

General Information
CFW100
CFW300
CFW500
CFW700
CFW11
CFW11M
PUMP GENIUS
CFW700 SINGLE PHASE
CFW08 WASH
CFW501
CFW701
HVV701
SSW05
SSW07
SSW06
EDP11
EDP700
GPH2
TPH2

Variable Frequency Drives



CFW11

Drive Ratings

Normal Duty (ND) Cycle:

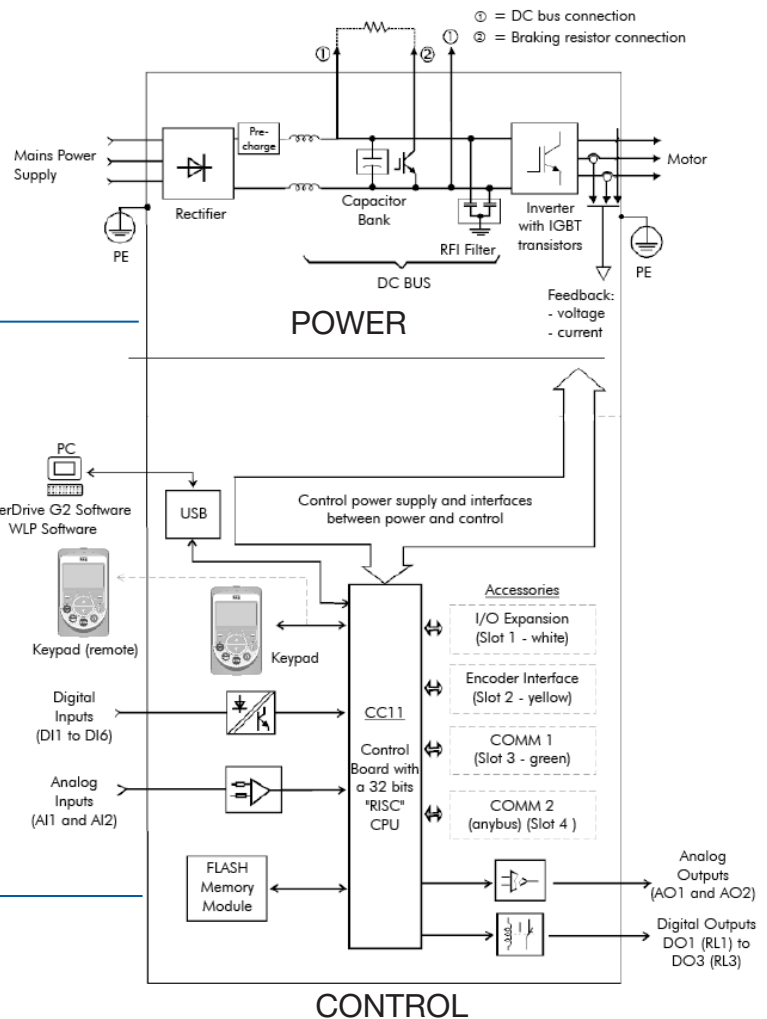
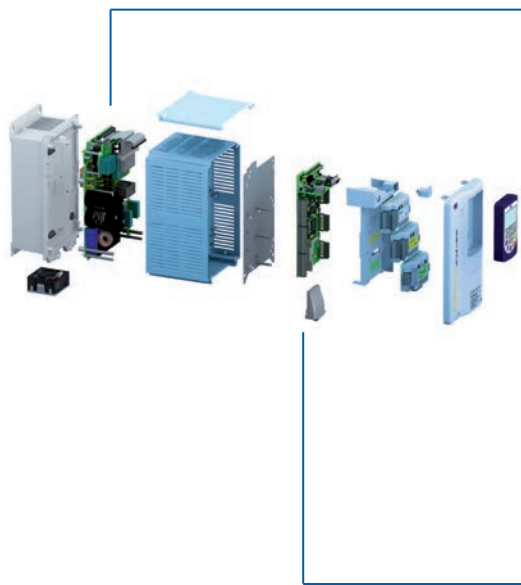
- 110% for 60 seconds every 10 minutes
- 150% for 3 seconds every 10 minutes

Heavy Duty (HD) Cycle:

- 150% for 60 seconds every 10 minutes
- 200% for 3 seconds every 10 minutes

Sizing the drive

The correct way to select a VFD is to match its output current with the motor rated current. However, the tables in this catalog also present the expected motor horsepower for each VFD model. Use the motor power ratings only as a guide. Motor rated currents may vary with speed and manufacturer. IEC motor powers are based on WEG 4-pole motors, NEMA motor powers are based on NEC table 430-150.



Notes:

- 1) Half controlled bridge rectifier for sizes F and G
 - 2) Standard for sizes A to D;
 - 3) Standard RFI filter for sizes E, F and G;
- Please refer to the user manual for more information.

NEMA 1 Enclosure

Motor Voltage	ND / VT ¹		HD / CT ¹		Catalog Number	Braking Transistor	Frame Size	Dimensions (in.) HxWxD	Approx. Weight (lbs.)	List Price	Multiplier
	Motor HP ²	Drive Amps ³	Motor HP ²	Drive Amps ³							
230 Vac	Input Power Supply: Single or Three-Phase 200-240 Vac with Dynamic Braking Transistor										
	1 1/2	6.0	1 1/2	5.0	CFW110006B20N1Z	Yes	A	12.1 x 5.8 x 9.0	13.9	\$1,644	V1
	2	7.0	2	7.0	CFW110007B20N1Z	Yes	A	12.1 x 5.8 x 9.0	13.9	\$1,716	V1
	Input Power Supply: Single-Phase 200-240 Vac with Dynamic Braking Transistor										
	3	10	3	10	CFW110010S20N1Z	Yes	A	12.1 x 5.8 x 9.0	13.9	\$1,812	V1
	Input Power Supply: Three-Phase 200-240 Vac with Dynamic Braking Transistor										
	2	7.0	1 1/2	5.5	CFW110007T20N1Z	Yes	A	12.1 x 5.8 x 9.0	13.9	\$1,620	V1
	3	10	2	8.0	CFW110010T20N1Z	Yes	A	12.1 x 5.8 x 9.0	13.9	\$1,692	V1
	5	13	3	11	CFW110013T20N1Z	Yes	A	12.1 x 5.8 x 9.0	13.9	\$1,728	V1
	5	16	5	13	CFW110016T20N1Z	Yes	A	12.1 x 5.8 x 9.0	13.9	\$1,850	V1
	7 1/2	24	7 1/2	20	CFW110024T20N1Z	Yes	B	13.9 x 7.5 x 9.0	23	\$2,424	V1
	10	28	10	24	CFW110028T20N1Z	Yes	B	13.9 x 7.5 x 9.0	23	\$2,641	V1
	10	34	10	28	CFW110033T20N1Z	Yes	B	13.9 x 7.5 x 9.0	23	\$3,190	V1
	15	45	15	36	CFW110045T20N1Z	Yes	C	17.7 x 8.7 x 11.5	46	\$3,641	V1
	20	54	20	45	CFW110054T20N1Z	Yes	C	17.7 x 8.7 x 11.5	46	\$4,400	V1
	25	70	20	56	CFW110070T20N1Z	Yes	C	17.7 x 8.7 x 11.5	46	\$6,600	V1
	30	86	25	70	CFW110086T20N1Z	Yes	D	19.9 x 11.9 x 12.0	125	\$7,222	V1
	40	105	30	86	CFW110105T20N1Z	Yes	D	19.9 x 11.9 x 12.0	125	\$9,000	V1
	50	142	40	115	CFW110142T20N1DBZ	Yes	E ⁵	26.6 x 13.2 x 14.1	144	\$12,720	V1
	60	180	50	142	CFW110180T20N1DBZ	Yes	E ⁵	26.6 x 13.2 x 14.1	144	\$17,555	V1
	75	211	60	180	CFW110211T20N1DBZ	Yes	E ⁵	26.6 x 13.2 x 14.1	144	\$24,380	V1
	Input Power Supply: Three-Phase 200-240 Vac without Dynamic Braking Transistor										
	50	142	40	115	CFW110142T20N1Z	No	E ⁵	26.6 x 13.2 x 14.1	144	\$11,649	V1
	60	180	50	142	CFW110180T20N1Z	No	E ⁵	26.6 x 13.2 x 14.1	144	\$15,125	V1
	75	211	60	180	CFW110211T20N1Z	No	E ⁵	26.6 x 13.2 x 14.1	144	\$21,560	V1

Notes:

- 1) CT = Constant Torque, 150% overload / 60 sec.; VT = Variable Torque (Quadratic Load), 110% overload / 60 sec.
- 2) "HP" rating based on "average FLA values". Use as a guide only.
- 3) Motor FLA may vary with speed and manufacturer. ALWAYS compare motor FLA to Nominal AMPS of drive.
- 4) All 575V drives are non-stocked items. Consult WEG for availability.
- 5) Maximum 45°C ambient temperature without derating
- 6) Maximum 40°C ambient temperature without derating
- 7) IP20 enclosure protection level
- 8) Frame size "H" does not have built-in DC-link Inductor. Input reactor(s) MUST be used. For other technical data please refer to WEG product manual.

Variable Frequency Drives



CFW11

NEMA 1 Enclosure

Motor Voltage	ND / VT ¹		HD / CT ¹		Catalog Number	Braking Transistor	Frame Size	Dimensions (in.) HxWxD	Approx. Weight (lbs.)	List Price	Multiplier
	Motor HP ²	Drive Amps ³	Motor HP ²	Drive Amps ³							
Input Power Supply: Three-Phase 380-480 Vac with Dynamic Braking Transistor											
460 Vac	2	3.6	2	3.6	CFW110003T40N1Z	Yes	A ⁹	12.1 x 5.8 x 9.0	22	\$1,616	V1
	3	5.0	3	5.0	CFW110005T40N1Z	Yes	A ⁹	12.1 x 5.8 x 9.0	22	\$1,650	
	5	7.0	3	5.5	CFW110007T40N1Z	Yes	A ⁹	12.1 x 5.8 x 9.0	22	\$1,712	
	7 1/2	10	5	10	CFW110010T40N1Z	Yes	A ⁹	12.1 x 5.8 x 9.0	22	\$1,969	
	10	13.5	7 1/2	11	CFW110013T40N1Z	Yes	A ⁹	12.1 x 5.8 x 9.0	22	\$2,068	
	10	17	10	13.5	CFW110017T40N1Z	Yes	B ⁹	13.9 x 7.5 x 9.0	23	\$2,530	
	15	24	10	19	CFW110024T40N1Z	Yes	B ⁹	13.9 x 7.5 x 9.0	23	\$2,992	
	20	31	15	25	CFW110031T40N1Z	Yes	B ⁹	13.9 x 7.5 x 9.0	23	\$3,873	
	25	38	20	33	CFW110038T40N1Z	Yes	C	17.7 x 8.7 x 11.5	46	\$4,300	
	30	45	25	38	CFW110045T40N1Z	Yes	C	17.7 x 8.7 x 11.5	46	\$5,400	
	40	58.5	30	47	CFW110058T40N1Z	Yes	C	17.7 x 8.7 x 11.5	46	\$6,633	
	50/60	70.5	40	61	CFW110070T40N1Z	Yes	D	19.9 x 11.9 x 12.0	125	\$7,500	
	60/75	88	50	73	CFW110088T40N1Z	Yes	D	19.9 x 11.9 x 12.0	125	\$8,900	
	75	105	75	88	CFW110105T40N1DBZ	Yes	E ⁵	26.6 x 13.2 x 14.1	144	\$13,600	
	100/125	142	75	115	CFW110142T40N1DBZ	Yes	E ⁵	26.6 x 13.2 x 14.1	144	\$15,900	
	150	180	100/125	142	CFW110180T40N1DBZ	Yes	E ⁵	26.6 x 13.2 x 14.1	144	\$23,115	
	175	211	150	180	CFW110211T40N1DBZ	Yes	E ⁵	26.6 x 13.2 x 14.1	144	\$27,020	
Input Power Supply: Three-Phase 380-480 Vac without Dynamic Braking Transistor											
75	105	75	88	CFW110105T40N1Z	No	E ⁵	26.6 x 13.2 x 14.1	144	\$10,650	V1	
100/125	142	75	115	CFW110142T40N1Z	No	E ⁵	26.6 x 13.2 x 14.1	144	\$12,500		
150	180	100/125	142	CFW110180T40N1Z	No	E ⁵	26.6 x 13.2 x 14.1	144	\$17,500		
175	211	150	180	CFW110211T40N1Z	No	E ⁵	26.6 x 13.2 x 14.1	144	\$21,000		
200	242	150	211	CFW110242T4SZ	No	F ^{5,7,10}	48.6 x 16.9 x 14.2	309	\$23,000		
250	312	200	242	CFW110312T4SZ	No	F ^{5,7,10}	48.6 x 16.9 x 14.2	309	\$29,366		
300	370	250	312	CFW110370T4SZ	No	F ^{5,7,10}	48.6 x 16.9 x 14.2	309	\$31,314		
400	477	300	370	CFW110477T4SZ	No	F ^{5,7,10}	48.6 x 16.9 x 14.2	309	\$41,027		
450	515	400	477	CFW110515T4SZ	No	G ^{5,7,10}	50 x 21.1 x 16.8	474	\$43,970		
500	601	450	515	CFW110601T4SZ	No	G ^{5,7,10}	50 x 21.1 x 16.8	474	\$50,088		
600	720	500	560	CFW110720T4SZ	No	G ^{6,7,10}	50 x 21.1 x 16.8	474	\$59,330		
700	795	550	637	CFW110795T4OYZ-LR	No	H ^{6,7,8,11}	55.7 x 27.1 x 16.6	470	\$66,157		
Qty. (2) ea. IP00 AC Line Reactors are included; supplied loose with the drive module:								12.3 x 15.5 x 13.5			125 x 2
750	877	600	715	CFW110877T4OYZ-LR	No	H ^{6,7,8,11}	55.7 x 27.1 x 16.6	470	\$74,135		
Qty. (2) ea. IP00 AC Line Reactors are included; supplied loose with the drive module:								12.3 x 15.5 x 13.5			125 x 2
950	1062	750	855	CFW111062T4OYZ-LR	No	H ^{6,7,8,11}	55.7 x 27.1 x 16.6	486	\$92,842		
Qty. (2) ea. IP00 AC Line Reactors are included; supplied loose with the drive module:								12.61 x 15.25 x 16.5			190 x 2
1000	1141	850	943	CFW111141T4OYZ-LR	No	H ^{6,7,8,11}	55.7 x 27.1 x 16.6	486	\$105,623		
Qty. (2) ea. IP00 AC Line Reactors are included; supplied loose with the drive module:								12.61 x 15.25 x 16.5		190 x 2	

Notes:

- 1) CT = Constant Torque, 150% overload / 60 sec.; VT = Variable Torque (Quadratic Load), 110% overload / 60 sec.
 - 2) "HP" rating based on "average FLA values". Use as a guide only.
 - 3) Motor FLA may vary with speed and manufacturer. ALWAYS compare motor FLA to Nominal AMPS of drive.
 - 4) All 575V drives are non-stocked items. Consult WEG for availability.
 - 5) Maximum 45°C ambient temperature without derating
 - 6) Maximum 40°C ambient temperature without derating
- For other technical data please refer to WEG product manual.

7) IP20 enclosure protection level

- 8) Frame size "H" does not have built-in DC-link Inductor. Input reactor(s) MUST be used.
- 9) 6% impedance DC reactor
- 10) 3% impedance DC reactor
- 11) 3% impedance AC Line reactor

NEMA 1 Enclosure

Motor Voltage	ND / VT ¹		HD / CT ¹		Catalog Number	Braking Transistor	Frame Size	Dimensions (in.) HxWxD	Approx. Weight (lbs.)	List Price	Multiplier
	Motor HP ²	Drive Amps ³	Motor HP ²	Drive Amps ³							
575 Vac ⁴	Input Power Supply: Three-Phase 500-600 Vac with Dynamic Braking Transistor										
	2	2.9	2	2.7	CFW110002T50N1NFZ	Yes	B	13.9 x 7.5 x 9.0	24	\$2,393	V1
	3	4.4	3	3.8	CFW110004T50N1NFZ	Yes	B	13.9 x 7.5 x 9.0	24	\$2,360	
	7 1/2	7.0	5	6.4	CFW110007T50N1NFZ	Yes	B	13.9 x 7.5 x 9.0	24	\$2,516	
	10	10	7 1/2	9.0	CFW110010T50N1NFZ	Yes	B	13.9 x 7.5 x 9.0	24	\$2,850	
	10	12	10	10	CFW110012T50N1NFZ	Yes	B	13.9 x 7.5 x 9.0	24	\$2,998	
	15	17	15	17	CFW110017T50N1NFZ	Yes	B	13.9 x 7.5 x 9.0	24	\$3,145	
	20	22	20	19	CFW110022T50N1NFZ	Yes	C	17.7 x 8.7 x 11.5	44.6	\$4,748	
	25	27	20	22	CFW110027T50N1NFZ	Yes	C	17.7 x 8.7 x 11.5	44.6	\$5,023	
	30	32	25	27	CFW110032T50N1NFZ	Yes	C	17.7 x 8.7 x 11.5	44.6	\$5,803	
	40	44	30	36	CFW110044T50N1NFZ	Yes	C	17.7 x 8.7 x 11.5	44.6	\$7,175	
	50	53	40	44	CFW110053T60N1YZ	Yes	E ^{5,8}	26.6 x 13.2 x 14.1	143	\$12,166	
	60	63	50	53	CFW110063T60N1YZ	Yes	E ^{5,8}	26.6 x 13.2 x 14.1	143	\$12,932	
	75	80	75	66	CFW110080T60N1YZ	Yes	E ^{5,8}	26.6 x 13.2 x 14.1	143	\$13,979	
	100	107	100	90	CFW110107T60N1YZ	Yes	E ^{5,8}	26.6 x 13.2 x 14.1	143	\$23,951	
	125	125	100	107	CFW110125T60N1YZ	Yes	E ^{5,8}	26.6 x 13.2 x 14.1	143	\$29,042	
	150	150	125	122	CFW110150T60N1YZ	Yes	E ^{5,8}	26.6 x 13.2 x 14.1	143	\$33,040	
	Input Power Supply: Three-Phase 500-600 Vac without Dynamic Braking Transistor										
	50	53	40	44	CFW110053T60N1NBYZ	No	E ^{5,8}	26.6 x 13.2 x 14.1	143	\$9,887	V1
	60	63	50	53	CFW110063T60N1NBYZ	No	E ^{5,8}	26.6 x 13.2 x 14.1	143	\$10,510	
	75	80	75	66	CFW110080T60N1NBYZ	No	E ^{5,8}	26.6 x 13.2 x 14.1	143	\$11,358	
	100	107	100	90	CFW110107T60N1NBYZ	No	E ^{5,8}	26.6 x 13.2 x 14.1	143	\$19,458	
	125	125	100	107	CFW110125T60N1NBYZ	No	E ^{5,8}	26.6 x 13.2 x 14.1	143	\$23,589	
	150	150	125	122	CFW110150T60N1NBYZ	No	E ^{5,8}	26.6 x 13.2 x 14.1	143	\$32,080	
	150	170	150	150	CFW110170T60YZ	No	F ^{5,7,8}	48.6 x 16.9 x 14.2	371	\$33,083	
	200	216	150	180	CFW110216T60YZ	No	F ^{5,7,8}	48.6 x 16.9 x 14.2	371	\$40,206	
	300	289	250	240	CFW110289T60YZ	No	F ^{5,7,8}	48.6 x 16.9 x 14.2	371	\$48,913	
	350	315	300	289	CFW110315T60YZ	No	G ^{5,7,8}	50 x 21.1 x 16.8	569	\$54,936	
400	365	350	315	CFW110365T60YZ	No	G ^{5,7,8}	50 x 21.1 x 16.8	569	\$71,061		
450	435	350	357	CFW110435T60YZ	No	G ^{5,7,8}	50 x 21.1 x 16.8	569	\$76,125		
650	584	550	504	CFW110584T60YZ-LR	No	H ^{6,7,8,9}	55.7 x 27.1 x 16.6	441	\$78,880		
Qty. (1) ea. IP00 AC Line Reactors are included; supplied loose with the drive module:								12.3 x 15.5 x 13.5	195 x 1	\$85,780	
700	625	600	540	CFW110625T60YZ-LR	No	H ^{6,7,8,9}	55.7 x 27.1 x 16.6	441			
Qty. (1) ea. IP00 AC Line Reactors are included; supplied loose with the drive module:								12.3 x 15.5 x 13.5	195 x 1	\$102,734	
850	758	650	614	CFW110758T60YZ-LR	No	H ^{6,7,8,9}	55.7 x 27.1 x 16.6	470			
Qty. (2) ea. IP00 AC Line Reactors are included; supplied loose with the drive module:								12.3 x 15.5 x 13.5	175 x 2	\$114,957	
900	804	750	682	CFW110804T60YZ-LR	No	H ^{6,7,8,9}	55.7 x 27.1 x 16.6	470			
Qty. (2) ea. IP00 AC Line Reactors are included; supplied loose with the drive module:								12.3 x 15.5 x 13.5	175 x 2		

Notes:

- 1) CT = Constant Torque, 150% overload / 60 sec.; VT = Variable Torque (Quadratic Load), 110% overload / 60 sec.
- 2) "HP" rating based on "average FLA values". Use as a guide only.
- 3) Motor FLA may vary with speed and manufacturer. ALWAYS compare motor FLA to Nominal AMPS of drive.
- 4) All 575V drives are non-stocked items. Consult WEG for availability.
- 5) Maximum 45°C ambient temperature without derating
- 6) Maximum 40°C ambient temperature without derating
- 7) IP20 enclosure protection level
- 8) Includes STO Safety Stop per EN 954-1 / ISO 13849-1, category 3
- 9) Frame size "H" does not have built-in DC-link Inductor. Input reactor(s) MUST be used. For other technical data please refer to WEG product manual.

Variable Frequency Drives



CFW11

Options and Accessories

Type	Catalog Number	Description	Slot	List Price	Multiplier	
I/O Expansion Module	IOA-01	IOA Module for CFW11: 1 analog input (AI4 - 14 bits, voltage or current); 2 analog outputs (AO3 and AO4 -14 bits, voltage or current); 2 digital inputs; 2 digital outputs (open-collector). All analog inputs and outputs are galvanically isolated.	1	\$1,100	V1	
	IOB-01	IOB Module for CFW11: 2 analog inputs (AI3 and AI4 - 12 bits, voltage or current); 2 analog outputs (AO1 and AO2 - 11 bits, voltage or current); 2 digital inputs; 2 digital outputs (open-collector) All analog inputs and outputs are galvanically isolated.	1	\$600	V1	
	IOC-01	Module for SoftPLC : 8 x Isolated Digital Inputs; 8 x open collector digital outputs	4	\$447	V1	
	IOC-02	Module for SoftPLC : 8 x Isolated Digital Inputs; 4 x Relay output (240V/1A)	1	\$411	V1	
	IOE-01	PTC Temperature Sensor Input Card; 5 - Channels	1	\$668	V1	
	IOE-02	PT100 Temperature Sensor Input Card; 5 - Channels	1	\$1,741	V1	
	IOE-03	KTY84 Temperature Sensor Input Card; 5 - Channels	1	\$863	V1	
	Encoder Module	ENC-01	Incremental encoder module, 5 to 12 VDC at 100 kHz, with encoder signal repeater	2	\$500	V1
		ENC-02	Incremental encoder module, 5 to 12 VDC at 100 kHz, without encoder signal repeater	2	\$430	V1
	Communication	RS485-01	RS-485 serial communication module (Modbus-RTU)	3	\$240	V1
RS232-01		RS-232C serial communication module (Modbus-RTU)	3	\$180	V1	
RS232-02		RS232C serial communication module with DIP-switches for microcontroller's flash memory programming	3	\$180	V1	
CAN/RS485-01		CAN and RS-485 communication module (CANopen / Modbus / DeviceNet)	3	\$480	V1	
CAN-01		CAN interface module (CANopen/DeviceNet) (CFW11 & CFW700)	3	\$410	V1	
ETHERCAT-01		EtherCAT Communication Module	3	\$1,320	V1	
PROFIBUS DP-01		Profibus DP-V1 interface module (CFW11 & CFW700)	3	\$520	V1	
PROFDP-05		Profibus DP interface module	4	\$935	V1	
DEVICENET-05		DeviceNet interface module	4	\$935	V1	
ETHERNET/IP-05		Ethernet/IP interface module	4	\$935	V1	
ETHERNETIP-2P-05		EtherNet/IP Communication Module, 2-ports	4	\$1,067	V1	
RS232-05		RS-232 serial communication module (Modbus-RTU)	4	\$228	V1	
RS485-05		RS-485 serial communication module (Modbus-RTU)	4	\$275	V1	
MODBUSTCP-05		Modbus - TCP/IP interface module	4	\$1,381	V1	
PROFINET IO-05		Profinet interface module	4	\$1,594	V1	
PLC		PLC11-01	PLC functions with ladder programming, electronic gear box, etc.; 9 digital inputs; 3 dry-contact digital outputs; 3 open-collector digital outputs; 1 analog input (14 bits); 2 analog outputs (14 bits); 2 encoder interfaces; RS-485 Modbus-RTU interface; CAN interface (CANopen, CANopen master/slave)	1, 2, 3	\$1,876	V1
PLC	PLC11-02	PLC functions with ladder programming, electronic gear box, etc.; 4 digital inputs; 1 dry-contact digital output; 3 open-collector digital outputs; 2 encoder interfaces; RS-485 Modbus-RTU interface; CAN interface (CANopen, CANopen master/slave)	1,2,3	\$1,221	V1	
Flash Memory	MMF-01	Flash Memory Module for CFW11; Blue Cover; For main circuit board versions CC11C and older	5	\$71	V1	
	MMF-03	Flash Memory Module for CFW11; Yellow Cover; For main circuit board versions CC11D and newer	5	\$71	V1	

continued on next page

Options and Accessories

Type	CATALOG NUMBER	Description	List Price	Multiplier
Keypad and Accessories	HMI-01	CFW11 Standard Keypad	\$320	V1
	RHMIF-01	CFW11 Remote Keypad Frame Kit	\$69	V1
	HMID-01	Blank Keypad Cover for Keypad Slot (CFW11 & CFW700)	\$54	V1
Remote Keypad Cable	IHM-CAB-RS-1M	3.3 ft (1 meter) Remote Keypad Cable (CFW11 & CFW700)	\$54	V1
	IHM-CAB-RS-2M	6.6 ft (2 meter) Remote Keypad Cable (CFW11 & CFW700)	\$60	V1
	IHM-CAB-RS-3M	9.9 ft (3 meter) Remote Keypad Cable (CFW11 & CFW700)	\$66	V1
	IHM-CAB-RS-5M	16 ft (5 meter) Remote Keypad Cable (CFW11 & CFW700)	\$75	V1
	IHM-CAB-RS-7.5M	25 ft (7.5 meter) Remote Keypad Cable (CFW11 & CFW700)	\$90	V1
	IHM-CAB-RS-10M	33 ft (10 meter) Remote Keypad Cable (CFW11 & CFW700)	\$102	V1
Remote Oper. Station	CSW-SP3PBS	Remote Operator Station-includes 22mm Start PB, Stop PB, 1-NC and 1-NO contact block, 5k-ohm Potentiometer and legends (replaces CFW-REM)	\$460	Z5
	CSW30-SP3PBS	Remote Operator Station-includes 30mm Start PB, Stop PB, 1-NC and 1-NO contact block, 5k-ohm Potentiometer and legends (replaces CFW-REM)	\$535	Z5
Conduit Kit	KN1A-01	Conduit Kit for frame size A with power cables shielding	\$69	V1
	KN1B-01	Conduit Kit for frame size B with power cables shielding	\$82	V1
	KN1C-01	Conduit Kit for frame size C with power cables shielding	\$94	V1
	KIP21D-01	IP21 Top Cover Kit for Frame size D (CFW11 & CFW700)	\$100	V1
	KN1E-01	Top cover kit for frame size E (105 and 142A)	\$78	V1
	KN1E-02	Top cover kit plus Conduit kit for frame size E (180 and 211A)	\$213	V1
	KN1F-01	NEMA 1 Conduit Kit for frame size F	\$390	V1
	KN1G-01	NEMA 1 Conduit Kit for frame size G	\$445	V1
Cable Shield Kit	PCSA-01	Power Cables Shielding Kit for frame size A (CFW11 & CFW700)	\$48	V1
	PCSB-01	Power Cables Shielding Kit for frame size B (CFW11 & CFW700)	\$51	V1
	PCSC-01	Power Cables Shielding Kit for frame size C (CFW11 & CFW700)	\$54	V1
	PCSD-01	Power Cables Shielding Kit for frame size D (CFW11 & CFW700)	\$56	V1
	PCSE-01	Power Cables Shielding Kit for frame size E (CFW11 & CFW700)	\$76	V1
Dynamic Brake	DBW03-CFW11 F & G	External Dynamic Braking Module (frame F & G)	\$6,822	V1

CFW11

Technical Data

CFW100 CFW300 CFW500 CFW700 CFW11	Power Supply	Voltage	Single Phase or Three Phase	200-240V (+10%, -15%)
			Three phase	380-480V (+10%, -15%)
		Frequency	50 / 60Hz +/- 2Hz	
		Displacement Power Factor (Cos)	Greater than 0.94	
Enclosure	Degree of Protection	NEMA 1		
CFW11	Control	Control Modes	Volts per Hertz (Scalar)	Voltage Vector (VVW)
			Sensorless Vector	Vector with encoder
	Power Output	Sinusoidal PWM (Space Vector Modulation)		
		IGBT Transistors		
	Switching Frequency	1.25, 2.0, 2.5, 5.0 or 10.0 kHz		
	Frequency Range	0-300 Hz in Scalar Mode; 120 Hz in Vector Mode		
	Overload Capacity	CT = Constant Torque, 150% overload / 60 sec. VT = Variable Torque (Quadratic Load), 110% overload / 60 sec.		
CFW11M	Control Inputs	6 programmable isolated digital inputs, 24Vdc logic		
		2 isolated programmable differential analog inputs 11 bit; programmable for current or voltage (0-10V, 4-20mA or 0-20mA)		
PUMP GENIUS	Control Outputs	3 programmable relay output; NO/NC (Form C); 240Vac, 30Vdc / 1.0 A		
		2 isolated programmable analog outputs 11 bit; programmable for current or voltage (0-10V, 4-20mA or 0-20mA)		
CFW700 SINGLE PHASE	Communication	Serial	Optional RS-232 serial interface, RS-485 with external RS-232/485 converter	
		Field Bus	Isolated RS-485 / Modbus RTU (standard)	
			CAN interface module (CANopen/DeviceNet)	
			Profibus DP interface module	
CFW08 WASH	Safety	Protections	Motor over current	DC link over voltage
			Motor overload	DC link under voltage
			Output phase-to-phase short circuit	Drive over temperature
			Output phase-to-ground short circuit	External fault
			Programming error	
CFW701 HVW701	Ambient	Temperature	14 - 122°F (50°C), up to 140°F (60°C) with 2% / 1.8°F (1°C) output current derating	
		Humidity	5-90% Non Condensing	
		Altitude	0-3300 ft (1000m), up to 13,200 ft (4000m) with 1% output current derating per 330ft (100m) above 3300 ft (1000m).	
SSW05 SSW07 SSW06	Regulatory Conformance	IEC 60146	Semiconductor convertors	
		UL 508 C	Power Conversion Equipment	
		UL 840	Insulation coordination including clearances and creepage distances for electrical equipment.	
		EN 50178	Electronic equipment for use in power installations	
		EN 61800-2	General requirements adjustable speed electrical power drive systems	
		EN 61800-3	EMC product standard including specific test methods adjustable speed electrical power drive systems	
		EN 61800-5-1	Safety requirements adjustable speed electrical power drive systems	
		EN 60204-1	Safety of machinery. Electrical equipment of machines. Part 1: General requirements.	
	RoHS and WEEE Guidelines			
EDP11 EDP700	Approvals	UL, cUL, CE, C-Tick, GOST		
GPH2	Special Functions	Linear and "S" ramp accel and decel, local/remote control, FWD/REV selection, DC braking, manual and auto torque boost, motor slip comp., electronic pot, two skip frequencies, max. and min. adjustable frequency limits, adjustable output current PID Controller		
TPH2	Keypad	4 digit display, 2 indicator LEDs and 8 keys		
		Readouts for: output frequency (Hz), output current (A), output voltage (V), motor torque (%) in vector mode, DC bus voltage (V), value proportional to frequency (Ex.: RPM), heatsink temperature, fault and status messages		



General Information
CFW100
CFW300
CFW500
CFW700
CFW11
CFW11M
PUMP GENIUS
CFW700 SINGLE PHASE
CFW08 WASH
CFW501
CFW701
HVV701
SSW05
SSW07
SSW06
EDP11 EDP700
GPH2
TPH2

NON-STOCK (call for lead time)

100% Braking Torque at 20% Duty Cycle (12 Seconds Max. Braking Time) NEMA 1 Enclosure

Motor Voltage	Motor HP ¹	CFW11 Catalog Number	Braking Resistor Catalog Number ²	Rated Ohms	Rated Watts	Dimensions (in.) HxWxD ³	List Price	Multiplier	
230 Vac	1 1/2	CFW110006B20N1Z	CFDB2-125-224	125	224	5 x 12 x 5	\$520	V1	
	2	CFW110007B20N1Z	CFDB2-95-298	95	298	5 x 12 x 7	\$749	V1	
	2	CFW110007T20N1Z	CFDB2-95-298	95	298	5 x 12 x 7	\$749	V1	
	3	CFW110010S20N1Z	CFDB2-63-448	63	448	5 x 12 x 7	\$749	V1	
	3	CFW110010T20N1Z	CFDB2-63-448	63	448	5 x 12 x 7	\$749	V1	
	5	CFW110013T20N1Z	CFDB2-38-746	38	746	5 x 12 x 10	\$941	V1	
	5	CFW110016T20N1Z	CFDB2-38-746	38	746	5 x 12 x 10	\$941	V1	
	7 1/2	CFW110024T20N1Z	CFDB5-26-1119	26	1,119	5 x 12 x 13	\$1,130	V1	
	10	CFW110028T20N1Z	CFDB2-19-1492	19	1,492	5 x 12 x 16	\$1,322	V1	
	10	CFW110033T20N1Z	CFDB2-19-1492	19	1,492	5 x 12 x 16	\$1,322	V1	
	15	CFW110045T20N1Z	CFDB2-13-2238	12.6	2,238	5 x 19 x 10	\$1,644	V1	
	20	CFW110054T20N1Z	CFDB2-10-2984	9.6	2,984	5 x 19 x 10	\$1,644	V1	
	25	CFW110070T20N1Z	CFDB2-8-3730	7.5	3,730	5 x 19 x 13	\$1,997	V1	
	30	CFW110086T20N1Z	CFDB2-7-4476	6.3	4,476	5 x 26.5 x 13	\$2,588	V1	
	40	CFW110105T20N1Z	CFDB2-5-5968	4.9	5,968	5 x 26.5 x 16	\$3,269	V1	
	460 Vac	50	CFW110142T20N1DBZ	CFDB2-4-7460	3.9	7,460	10 x 28 x 10	\$3,820	V1
		60	CFW110180T20N1DBZ	CFDB2-4-8952	3.3	8,952	10 x 28 x 10	\$3,820	V1
75		CFW110211T20N1DBZ	CFDB2-3-11190	2.7	11,190	10 x 28 x 13	\$5,622	V1	
2		CFW110003T40N1Z	CFDB2-375-298	375	298	5 x 12 x 7	\$749	V1	
3		CFW110005T40N1Z	CFDB2-250-448	250	448	5 x 12 x 7	\$749	V1	
5		CFW110007T40N1Z	CFDB2-150-746	150	746	5 x 12 x 10	\$941	V1	
7 1/2		CFW110010T40N1Z	CFDB2-100-1119	100	1,119	5 x 12 x 13	\$1,130	V1	
10		CFW110013T40N1Z	CFDB2-75-1492	75	1,492	5 x 12 x 16	\$1,322	V1	
10		CFW110017T40N1Z	CFDB2-75-1492	75	1,492	5 x 12 x 16	\$1,322	V1	
15		CFW110024T40N1Z	CFDB2-50-2238	50	2,238	5 x 19 x 13	\$1,820	V1	
20		CFW110031T40N1Z	CFDB2-38-2984	38	2,984	5 x 19 x 16	\$2,201	V1	
25		CFW110038T40N1Z	CFDB2-30-3730	30	3,730	5 x 26.5 x 13	\$2,511	V1	
30		CFW110045T40N1Z	CFDB2-25-4476	25	4,476	5 x 26.5 x 13	\$2,511	V1	
40		CFW110058T40N1Z	CFDB2-19-5968	19	5,968	5 x 26.5 x 16	\$2,938	V1	
50/60		CFW110070T40N1Z	CFDB2-15-8952	15	8,952	10 x 28 x 13	\$4,328	V1	
75		CFW110088T40N1Z	CFDB2-10-11190	10	11,190	10 x 28 x 16	\$5,659	V1	
75		CFW110105T40N1DBZ	CFDB2-10-11190	10	11,190	10 x 28 x 16	\$5,659	V1	
100/125	CFW110142T40N1DBZ	CFDB2-8-18650	8	18,650	24 x 30 x 18	\$9,560	V1		
150	CFW110180T40N1DBZ	CFDB2-5-22380	5	22,380	24 x 30 x 18	\$11,854	V1		
175	CFW110211T40N1Z	CFDB2-5-29840	5	29,840	24 x 30 x 18	\$11,854	V1		
200	CFW110242T40N1Z	CFDB2-4-29840	3.8	29,840	30 x 18 x 32	\$11,854	V1		
250	CFW110312T40N1Z	CFDB2-3-37300	3	37,300	30 x 18 x 32	\$12,533	V1		
300	CFW110370T40N1Z	CFDB2-3-44760	2.5	44,760	30 x 18 x 32	\$15,393	V1		
350	CFW110477T40N1Z	CFDB2-3-52220	2.2	52,220	30 x 18 x 48	\$21,406	V1		
400	CFW110515T40N1Z	CFDB2-2-59680	1.9	59,680	30 x 18 x 48	\$22,167	V1		
500	CFW110601T40N1Z	CFDB2-2-74600	1.5	74,600	30 x 18 x 64	\$32,077	V1		
600	CFW110720T40N1Z		Consult with WEG					V1	

Notes:

1) Dimensions are provided for estimating purposes only.



Variable Frequency Drives

Dynamic Braking Resistors for CFW11

NON-STOCK (call for lead time)

100% Braking Torque at 50% Duty Cycle (30 Seconds Max. Braking Time)

NEMA 1 Enclosure

Motor Voltage	Motor HP	CFW11 Catalog Number	Braking Resistor Catalog Number	Rated Ohms	Rated Watts	Dimensions (in.) HxWxD ¹	List Price	Multiplier	
230 Vac	1 1/2	CFW110006B20N1Z	CFDB5-125-560	125	560	5 x 12 x 10	\$941	V1	
	2	CFW110007B20N1Z	CFDB5-95-746	95	746	5 x 12 x 10	\$941	V1	
	2	CFW110007T20N1Z	CFDB5-95-746	95	746	5 x 12 x 10	\$941	V1	
	3	CFW110010S20N1Z	CFDB5-63-1119	63	1,119	5 x 12 x 10	\$1,130	V1	
	3	CFW110010T20N1Z	CFDB5-63-1119	63	1,119	5 x 12 x 10	\$1,130	V1	
	5	CFW110013T20N1Z	CFDB5-38-1865	38	1,865	5 x 19 x 13	\$1,820	V1	
	5	CFW110016T20N1Z	CFDB5-38-1865	38	1,865	5 x 19 x 13	\$1,820	V1	
	7 1/2	CFW110024T20N1Z	CFDB5-26-2798	26	2,798	5 x 26.5 x 13	\$2,511	V1	
	10	CFW110028T20N1Z	CFDB5-19-3730	19	3,730	5 x 26.5 x 13	\$2,511	V1	
	10	CFW110033T20N1Z	CFDB5-19-3730	19	3,730	5 x 26.5 x 13	\$2,511	V1	
	15	CFW110045T20N1Z	CFDB5-13-5595	12.6	5,595	5 x 26.5 x 16	\$2,938	V1	
	20	CFW110054T20N1Z	CFDB5-10-7460	9.6	7,460	10 x 28 x 13	\$4,663	V1	
	25	CFW110070T20N1Z	CFDB5-8-9325	7.5	9,325	10 x 28 x 13	\$4,663	V1	
	30	CFW110086T20N1Z	CFDB5-7-11190	6.3	11,190	10 x 28 x 16	\$5,254	V1	
	40	CFW110105T20N1Z	CFDB5-5-14920	4.9	14,920	24 x 30 x 18	\$6,762	V1	
	460 Vac	50	CFW110142T20N1DBZ	CFDB5-4-18650	3.9	18,650	24 x 30 x 18	\$10,325	V1
		60	CFW110180T20N1DBZ	CFDB5-4-22380	3.3	22,380	24 x 30 x 18	\$10,325	V1
75		CFW110211T20N1DBZ	CFDB5-3-27975	2.7	27,975	32 x 30 x 18	\$10,325	V1	
2		CFW110003T40N1Z	CFDB5-375-746	375	746	5 x 12 x 13	\$1,130	V1	
3		CFW110005T40N1Z	CFDB5-250-1119	250	1,119	5 x 12 x 16	\$1,511	V1	
5		CFW110007T40N1Z	CFDB5-150-1865	150	1,865	5 x 19 x 13	\$1,703	V1	
7 1/2		CFW110010T40N1Z	CFDB5-100-2798	100	2,798	5 x 19 x 16	\$1,892	V1	
10		CFW110013T40N1Z	CFDB5-75-3730	75	3,730	5 x 26.5 x 16	\$2,938	V1	
10		CFW110017T40N1Z	CFDB5-75-3730	75	3,730	5 x 26.5 x 16	\$2,938	V1	
15		CFW110024T40N1Z	CFDB5-50-5595	50	5,595	10 x 28 x 13	\$4,254	V1	
20		CFW110031T40N1Z	CFDB5-38-7460	38	7,460	10 x 28 x 13	\$4,254	V1	
25		CFW110038T40N1Z	CFDB5-30-9325	30	9,325	10 x 28 x 16	\$4,715	V1	
30		CFW110045T40N1Z	CFDB5-25-11190	25	11,190	10 x 28 x 16	\$5,071	V1	
40		CFW110058T40N1Z	CFDB5-19-14920	19	14,920	24 x 30 x 18	\$8,858	V1	
50/60		CFW110070T40N1Z	CFDB5-15-22380	15	22,380	24 x 30 x 18	\$10,176	V1	
75		CFW110088T40N1Z	CFDB5-10-27975	10	27,975	32 x 30 x 18	\$14,625	V1	
75		CFW110105T40N1DBZ	CFDB5-10-27975	10	27,975	32 x 30 x 18	\$14,625	V1	
100/125		CFW110142T40N1DBZ	CFDB5-8-46625	8	46,625	32 x 30 x 18	\$16,923	V1	
150		CFW110180T40N1DBZ	CFDB5-5-55950	5	55,950	48 x 30 x 18	\$18,814	V1	
175		CFW110211T40N1DBZ	CFDB5-5-74600	5	74,600	72 x 30 x 18	\$31,678	V1	
200	CFW110242T40N1Z	CFDB5-4-74600	3.8	74,600	30 x 18 x 72	\$31,678	V1		
250	CFW110312T40N1Z	CFDB5-3-93250	3	93,250	30 x 18 x 72	\$31,678	V1		
300	CFW110370T40N1Z	CFDB5-3-111900	2.5	111,900	(2) 30 x 18 x 56	\$54,028	V1		
350	CFW110477T40N1Z	CFDB5-3-130550	2.2	130,550	(2) 30 x 18 x 56	\$54,028	V1		
400	CFW110515T40N1Z	CFDB5-2-149200	1.9	149,200	(2) 30 x 18 x 56	\$73,288	V1		
500	CFW110601T40N1Z	CFDB5-2-186500	1.5	186,500	(2) 30 x 18 x 56	\$73,288	V1		
600	CFW110720T40N1Z	Consult with WEG						V1	

Notes:

1) Dimensions are provided for estimating purposes only.



3% Z (Impedance) – NEMA 1 Enclosure

NON-STOCK (call for lead time)

Motor Voltage	Motor HP	Reactor Amps	Catalog Number	Dimensions (in.) ¹ HxWxD	Approx. Weight (lbs.) ¹	List Price	Multiplier
230 Vac	Input Power Supply: Three-Phase 230 Vac						
	3	12	LRW012D3N1	8 x 8 x 6	16	\$436	V1
	5	18	LRW018D3N1	8 x 8 x 6	16	\$512	V1
	7 1/2	25	LRW025D3N1	13 x 13.3 x 13.1	42	\$590	V1
	10	35	LRW035D3N1	13 x 13.3 x 13.1	45	\$634	V1
	15	45	LRW045D3N1	13 x 13.3 x 13.1	54	\$756	V1
	20	55	LRW055D3N1	13 x 13.3 x 13.1	55	\$890	V1
	25 / 30	80	LRW080D3N1	13 x 13.3 x 13.1	74	\$905	V1
	40	100	LRW100D3N1	13 x 13.3 x 13.1	78	\$1,086	V1
	50	130	LRW130D3N1	13 x 13.3 x 13.1	60	\$1,175	V1
	60	160	LRW160D3N1	13 x 13.3 x 13.1	71	\$1,424	V1
75	200	LRW200D3N1	13 x 13.3 x 13.1	79	\$1,488	V1	
460 Vac	Input Power Supply: Three-Phase 460 Vac						
	1 1/2	2	LRW002G3N1	8 x 8 x 6	11	\$387	V1
	2, 3	4	LRW004G3N1	8 x 8 x 6	11	\$394	V1
	5	8	LRW008G3N1	8 x 8 x 6	14	\$415	V1
	7 1/2	12	LRW012G3N1	8 x 8 x 6	16	\$452	V1
	10	18	LRW018G3N1	8 x 8 x 6	16	\$519	V1
	15	25	LRW025G3N1	13 x 13.3 x 13.1	42	\$601	V1
	20 / 25	35	LRW035G3N1	13 x 13.3 x 13.1	45	\$715	V1
	30	45	LRW045G3N1	13 x 13.3 x 13.1	54	\$841	V1
	40	55	LRW055G3N1	13 x 13.3 x 13.1	55	\$987	V1
	50 / 60	80	LRW080G3N1	13 x 13.3 x 13.1	60	\$1,179	V1
	75	100	LRW100G3N1	13 x 13.3 x 13.1	71	\$1,450	V1
	100	130	LRW130G3N1	13 x 13.3 x 13.1	74	\$1,750	V1
	125	160	LRW160G3N1	13 x 13.3 x 13.1	48	\$2,060	V1
	150	200	LRW200G3N1	13 x 13.3 x 13.1	79	\$2,400	V1
	200	250	LRW250G3N1	24 x 18.4 x 16.8	99	\$2,990	V1
	250	320	LRW320G3N1	24 x 18.4 x 16.8	155	\$3,700	V1
	300	400	LRW400G3N1	24 x 18.4 x 16.8	155	\$4,962	V1
	350 / 400	500	LRW500G3N1	47 x 26.5 x 24.9	165	\$6,446	V1
	450 / 500	600	LRW600G3N1	47 x 26.5 x 24.9	205	\$7,950	V1
750 / 800	1000	LRW1000G3N1	Consult Factory			\$9,788	V1

Notes:

1) Dimensions and weights are provided for estimating purposes only.

CFW11M - Modular Drive

New generation of WEG variable frequency drives for high power ratings, ranging from 450HP-2500HP to with line voltage from 380V to 690V.

Standard Features:

- CFW11M
- Circuit Breaker with through door handle
- Line Reactor
- 6 pulse Rectifier Bridge
- High Speed fuses on DC Link
- Control Power Transformer
- Standard Enclosure NEMA 12 filtered
- Pre-charge circuit
- Start/Stop push buttons
- E-stop
- Graphic keypad
- All circuit boards conformal coated



Optional Features

- 12 and 18 pulse available
- NEMA 3R
- NEMA 4 or NEMA 4X - with air conditioning
- Temperature monitoring for RTD sensors

Applications

- Pumps
- Fans/Blowers
- Conveyers
- Compressors
- Agitators and Mixers
- Extruders
- Grizzly Feeders
- Centrifuges
- Cranes and Hoists
- Rollout Tables
- Presses
- Saws

CFW11M Catalog Number Sequence

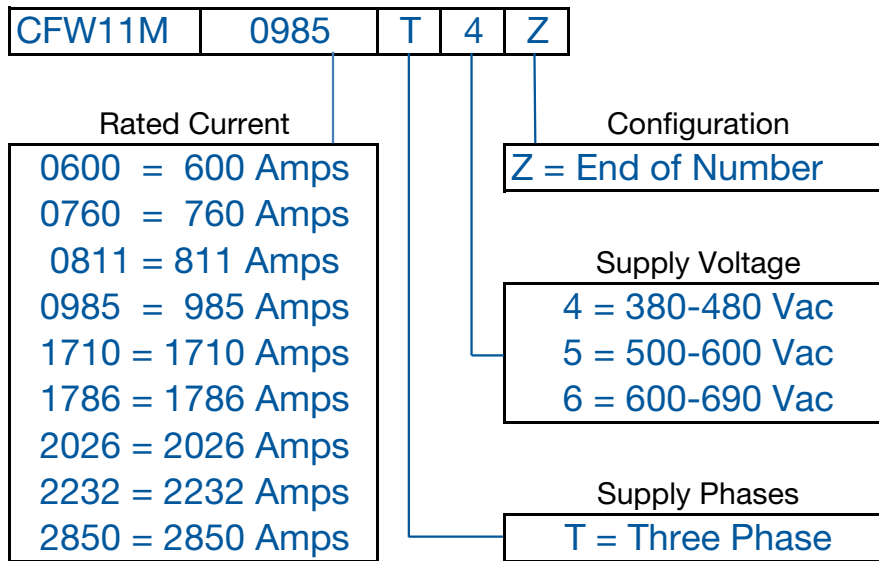


Table intended as reference only and not to create part numbers.

CFW11M

Modular Drive in NEMA 12 Enclosure

Motor Voltage	Motor HP ²	Drive Amps ³	Motor HP ²	Drive Amps ³	Catalog Number	Rectifier ⁴ Type (Pulses)	Dimensions (in.) ⁵ HxWxD	List Price	Multiplier
	ND / VT ¹		HD / CT ¹						
Input Power Supply: Three-Phase 380-480 Vac									
380-480 Vac	500	600	450	515	CFW11M0600T4Z	6 or 12	104 x 72 x 32	\$70,404	V2
	600	760	500	600	CFW11M0760T4Z	6 or 12	104 x 72 x 32	\$93,867	V2
	700	865	600	700	CFW11M0865T4Z	6 or 12	104 x 72 x 32	\$101,514	V2
	800	985	700	800	CFW11M0985T4Z	6 or 12	104 x 72 x 32	\$111,015	V2
	1000	1140	800	979	CFW11M1140T4Z	6 or 12	104 x 72 x 32	\$132,772	V2
	1500	1710	1200	1468	CFW11M1710T4Z	6 or 12	104 x 96 x 34	\$182,457	V2
	2000	2280	1600	1957	CFW11M2280T4Z	6 or 12	104 x 112 x 34	\$233,163	V2
	2500	2850	2000	2446	CFW11M2850T4Z	6 or 12	104 x 128 x 34	\$281,783	V2
Input Power Supply: Three-Phase 500-600 Vac									
500-600 Vac	500	470	400	380	CFW11M0470T5Z	6 or 12	104 x 72 x 34	\$88,827	V2
	1000	893	800	722	CFW11M0893T5Z	6 or 12	104 x 72 x 34	\$162,206	V2
	1500	1340	1250	1083	CFW11M1340T5Z	6 or 12	104 x 96 x 34	\$219,195	V2
	2000	1786	1600	1444	CFW11M1786T5Z	6 or 12	104 x 112 x 34	\$283,971	V2
	2500	2232	2000	1805	CFW11M2232T5Z	6 or 12	104 x 128 x 34	\$330,727	V2
Input Power Supply: Three-Phase 660-690 Vac									
660-690 Vac	500	427	400	340	CFW11M0427T6Z	6 or 12	104 x 72 x 34	\$89,511	V2
	1000	811	800	646	CFW11M0811T6Z	6 or 12	104 x 72 x 34	\$161,924	V2
	1500	1217	1250	969	CFW11M1217T6Z	6 or 12	104 x 96 x 34	\$220,669	V2
	2000	1622	1600	1292	CFW11M1622T6Z	6 or 12	104 x 112 x 34	\$283,380	V2
	2500	2028	2000	1615	CFW11M2026T6Z	6 or 12	104 x 128 x 34	\$329,690	V2

Notes:

- 1) CT = Constant Torque, 150% overload / 60 sec.; VT = Variable Torque (Quadratic Load), 110% overload / 60 sec.
- 2) "HP" rating based on "average FLA values". Use as a guide only. Motor FLA may vary with speed and manufacturer.
- 3) ALWAYS compare motor FLA to Nominal AMPS of drive.
- 4) 6-Pulse configuration is Standard; 12-Pulse configuration is Optional
- 5) Dimensions and weights are for estimating purposes only. Only use "AS BUILT" drawings for construction. For other technical data please refer to WEG product manual.

Consult factory for individual module pricing

Power Unit

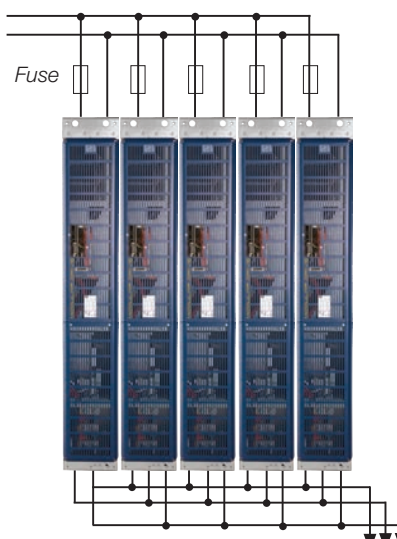
Compact modular drive that can be configured to the applicable motor power ratings.

- Easy servicing
- Configurable up to 5 power units
- DC supplied by an input rectifier
- Compact book format (width much smaller than the depth)
- Rack mounted

DC Link (connected to rectifier)



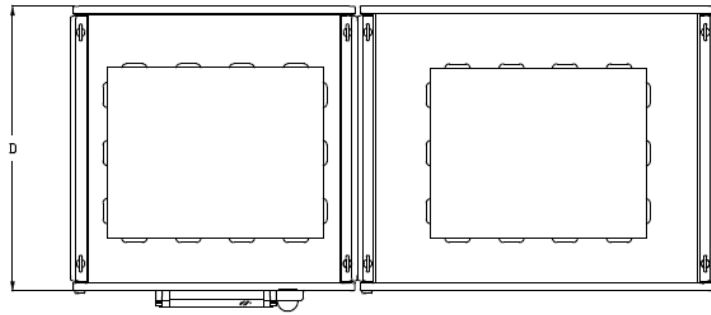
Power Unit



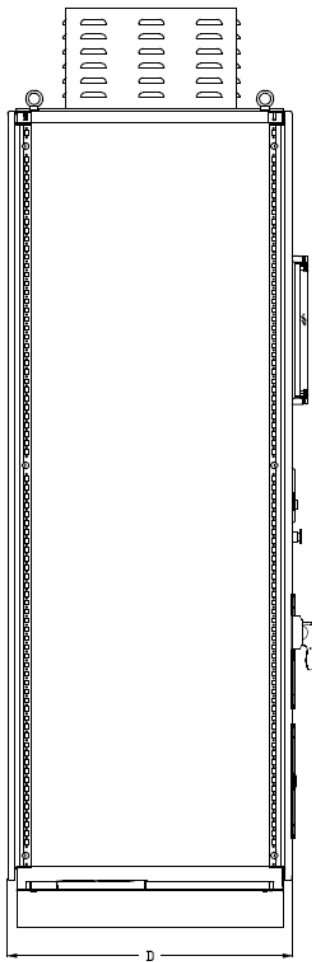
Application example

Motor connection

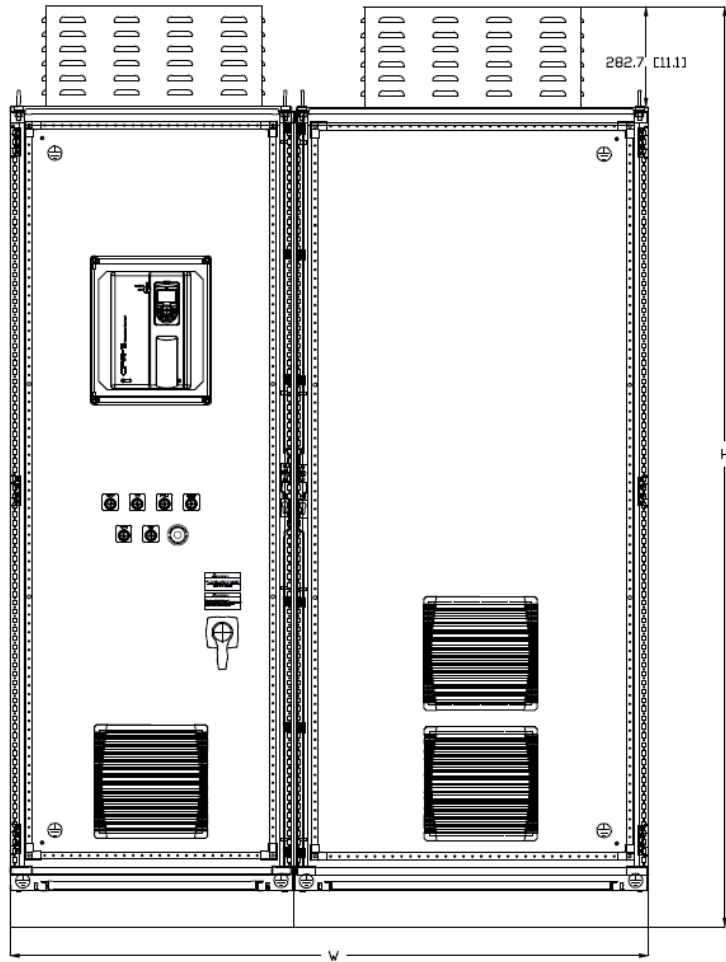
Dimensions



TOP VIEW



LEFT SIDE VIEW



FRONT VIEW

Freestanding Enclosure

General Information

CFW100

CFW300

CFW500

CFW700

CFW11

CFW11M

PUMP GENIUS

CFW700 SINGLE PHASE

CFW08 WASH

CFW501

CFW701

HVV701

SSW05

SSW07

SSW06

EDP11 EDP700

GPH2

TPH2

General Information
 CFW100 CFW300 CFW500 CFW700 CFW11 CFW11M
 PUMP GENIUS
 CFW700 SINGLE PHASE
 CFW08 WASH
 CFW501
 CFW701
 HWW701
 SSW05
 SSW07
 SSW06
 EDP11 EDP700
 GPH2
 TPH2

Variable Frequency Drives



PUMP GENIUS™

The WEG Pump Genius™ variable frequency drive software is designed to reduce system operation and maintenance costs while increasing pump process accuracy and protection. Pump Genius™ offers simplex or multiplex pump control while providing monitoring and protection for the pump system.

Pump Genius™ can be applied to any pump system that requires constant flow or pressure control.



- Reduce System Component Cost
- Improve System Reliability
- Reduce Maintenance Costs
- Eliminate Costly Control Panels
- Reduce System Energy Requirements
- Reduce Overall Installation Costs



PC Software - Download from www.weg.net



Performance Features

- 2-75 HP @ 230 Vac and 2-600 HP @ 480 Vac
- Overload capacity
- ND - 110% for 60 sec.
- HD - 150% for 60 sec.
- Adjustable accel/decel: 0.0 to 900.0 Sec.
- Controlled speed range: 1:20
- Critical frequency rejection: 3 selectable, adjustable bands
- Torque-limiting: 30-180%
- Torque boost: full range, automatic
- Power loss ride-thru: 2 sec
- Fault Auto-Reset with programmable time interval
- Feedback signal loss detection
- Serial communications loss detection
- "Up / Down" floating point control capability (PI)
- Pump Sleep function
- Run-permissive input

Pump Control Features

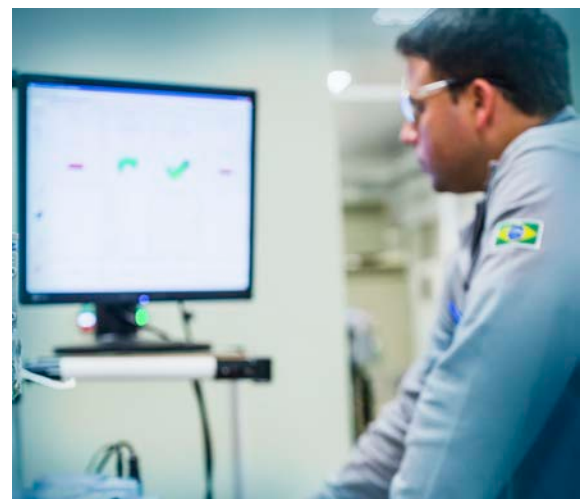
- Simplex or Multiplex Control
- Operator Keypad with intuitive pump language
- Local/Remote Control
- Jockey Pump Control
- Process feedback in engineering units
- Direct/Reverse PID Control Selection
- Control Set point by VFD Keypad, Analog Input, a combination of Digital Inputs, Communication command or based on weekly schedule
- Sleep Boost Mode
- Sleep Mode and Wake-Up Mode
- Pipe Charging
- Deragging function
- No Flow Detection
- Forced Rotation

Drive and Motor Protective Features

- Current-limited stall prevention
- Heat sink over-temperature, speed fold-back
- Bi-directional start into rotating motor
- Optically-isolated controls
- Short circuit protection: Phase-phase and phase-neutral
- Ground fault protection
- Short circuit withstand rating: 100KA RMS with Fuses
- Electronic motor overload: UL
- Current limit
- Fault display: last 10 faults
- Over torque and under torque protection

Pump Protective Features

- Dry Pump
- Air in System
- Blocked Impeller
- Pump over Cycling
- No Flow Protection
- Loss of Prime
- Transducer Loss
- Over Torque
- Anti-Cavitation



General Information
CFW100
CFW300
CFW500
CFW700
CFW11
CFW11M
PUMP GENIUS
CFW700 SINGLE PHASE
CFW08 WASH
CFW501
CFW701
HVV701
SSW05
SSW07
SSW06
EDP11 EDP700
GPH2
TPH2

PUMP GENIUS

Operation

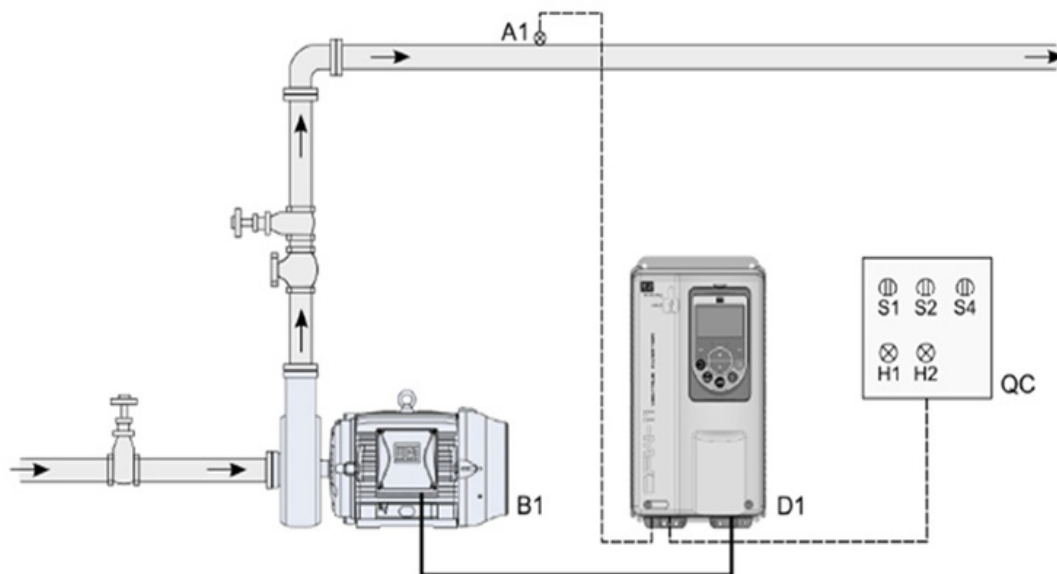
Pump Genius™ works with the WEG CFW11 drive to control pump system processes. Monitoring system pressure or flow, it adjusts pump speed to meet pumping requirements.

Pump Genius™ - Simplex (Single Pump Control)

Pump Genius™ - Simplex Operation

The Pump Genius™ - Simplex software monitors the system pressure or flow from a feedback device and maintains it at the control set point.

- Motor faults are monitored and alarmed
- Drive faults are monitored and alarmed
- Feedback Signal Lost / Broken Wire detected and alarmed
- Provides control for a single (1) pump operation



Pump Genius™ - Simplex Configuration



Single Drive Pump System

Motor Voltage	ND / VT 1		HD / CT 1		Catalog Number	Braking Transistor	Frame Size	Dimensions (in.) HxWxD	Approx. Weight (lbs.)	List Price	Multiplier
	Motor HP 2	Drive Amps 3	Motor HP 2	Drive Amps 3							
230 Vac	Input Power Supply: Single or Three-Phase 200-240 Vac with Dynamic Braking Transistor										
	1 1/2	6.0	1 1/2	5.0	CFW110006B20N1Z-PGS	Yes	A	12.1 x 5.8 x 9.0	13.9	\$1,779	V4
	2	7.0	2	7.0	CFW110007B20N1Z-PGS	Yes	A	12.1 x 5.8 x 9.0	13.9	\$1,851	V4
	Input Power Supply: Single-Phase 200-240 Vac with Dynamic Braking Transistor										
	3	10	3	10	CFW110010S20N1Z-PGS	Yes	A	12.1 x 5.8 x 9.0	13.9	\$1,947	V4
	Input Power Supply: Three-Phase 200-240 Vac with Dynamic Braking Transistor										
	2	7.0	1 1/2	5.5	CFW110007T20N1Z-PGS	Yes	A	12.1 x 5.8 x 9.0	13.9	\$1,755	V4
	3	10	2	8.0	CFW110010T20N1Z-PGS	Yes	A	12.1 x 5.8 x 9.0	13.9	\$1,827	V4
	5	13	3	11	CFW110013T20N1Z-PGS	Yes	A	12.1 x 5.8 x 9.0	13.9	\$1,863	V4
	5	16	5	13	CFW110016T20N1Z-PGS	Yes	A	12.1 x 5.8 x 9.0	13.9	\$1,985	V4
	7 1/2	24	7 1/2	20	CFW110024T20N1Z-PGS	Yes	B	13.9 x 7.5 x 9.0	23	\$2,559	V4
	10	28	10	24	CFW110028T20N1Z-PGS	Yes	B	13.9 x 7.5 x 9.0	23	\$2,776	V4
	10	34	10	28	CFW110033T20N1Z-PGS	Yes	B	13.9 x 7.5 x 9.0	23	\$3,325	V4
	15	45	15	36	CFW110045T20N1Z-PGS	Yes	C	17.7 x 8.7 x 11.5	46	\$3,776	V4
	20	54	20	45	CFW110054T20N1Z-PGS	Yes	C	17.7 x 8.7 x 11.5	46	\$4,535	V4
	25	70	20	56	CFW110070T20N1Z-PGS	Yes	C	17.7 x 8.7 x 11.5	46	\$6,735	V4
	30	86	25	70	CFW110086T20N1Z-PGS	Yes	D	19.9 x 11.9 x 12.0	72	\$7,357	V4
	40	105	30	86	CFW110105T20N1Z-PGS	Yes	D	19.9 x 11.9 x 12.0	72	\$9,135	V4
	Input Power Supply: Three-Phase 200-240 Vac without Dynamic Braking Transistor										
	50	142	40	115	CFW110142T20N1Z-PGS	No	E ⁴	26.6 x 13.2 x 14.1	144	\$11,784	V4
60	180	50	142	CFW110180T20N1Z-PGS	No	E ⁴	26.6 x 13.2 x 14.1	144	\$15,260	V4	
75	211	60	180	CFW110211T20N1Z-PGS	No	E ⁴	26.6 x 13.2 x 14.1	144	\$21,695	V4	

continued on next page

- General Information
- CFW100
- CFW300
- CFW500
- CFW700
- CFW701
- CFW11
- CFW11M
- PUMP GENIUS
- CFW700 SINGLE PHASE
- CFW08 WASH
- CFW501
- CFW701
- HVV701
- SSW05
- SSW07
- SSW06
- EDP11 EDP700
- GPH2
- TPH2

Variable Frequency Drives

PUMP GENIUS

Single Drive Pump System - *continued*

Input Power Supply: Three-Phase 380-480 Vac with Dynamic Braking Transistor											
460 Vac	2	3.6	2	3.6	CFW110003T40N1Z-PGS	Yes	A	12.1 x 5.8 x 9.0	13.9	\$1,751	V4
	3	5.0	3	5.0	CFW110005T40N1Z-PGS	Yes	A	12.1 x 5.8 x 9.0	13.9	\$1,785	V4
	5	7.0	3	5.5	CFW110007T40N1Z-PGS	Yes	A	12.1 x 5.8 x 9.0	13.9	\$1,847	V4
	7 1/2	10	5	10	CFW110010T40N1Z-PGS	Yes	A	12.1 x 5.8 x 9.0	13.9	\$2,104	V4
	10	13.5	7 1/2	11	CFW110013T40N1Z-PGS	Yes	A	12.1 x 5.8 x 9.0	13.9	\$2,203	V4
	10	17	10	13.5	CFW110017T40N1Z-PGS	Yes	B	13.9 x 7.5 x 9.0	23	\$2,665	V4
	15	24	10	19	CFW110024T40N1Z-PGS	Yes	B	13.9 x 7.5 x 9.0	23	\$3,127	V4
	20	31	15	25	CFW110031T40N1Z-PGS	Yes	B	13.9 x 7.5 x 9.0	23	\$4,008	V4
	25	38	20	33	CFW110038T40N1Z-PGS	Yes	C	17.7 x 8.7 x 11.5	46	\$4,435	V4
	30	45	25	38	CFW110045T40N1Z-PGS	Yes	C	17.7 x 8.7 x 11.5	46	\$5,535	V4
	40	58.5	30	47	CFW110058T40N1Z-PGS	Yes	C	17.7 x 8.7 x 11.5	46	\$6,768	V4
	50/60	70.5	40	61	CFW110070T40N1Z-PGS	Yes	D	19.9 x 11.9 x 12.0	72	\$7,635	V4
	60/75	88	50	73	CFW110088T40N1Z-PGS	Yes	D	19.9 x 11.9 x 12.0	72	\$9,035	V4
	Input Power Supply: Three-Phase 380-480 Vac without Dynamic Braking Transistor										
	75	105	75	88	CFW110105T40N1Z-PGS	No	E ⁴	26.6 x 13.2 x 14.1	144	\$10,785	V4
	100/125	142	75	115	CFW110142T40N1Z-PGS	No	E ⁴	26.6 x 13.2 x 14.1	144	\$12,635	V4
	150	180	100/125	142	CFW110180T40N1Z-PGS	No	E ⁴	26.6 x 13.2 x 14.1	144	\$17,635	V4
	175	211	150	180	CFW110211T40N1Z-PGS	No	E ⁴	26.6 x 13.2 x 14.1	144	\$21,135	V4
	200	242	150	211	CFW110242T4SZ-PGS	No	F ^{4.5}	48.6 x 16.9 x 14.2	309	\$23,135	V4
	250	312	200	242	CFW110312T4SZ-PGS	No	F ^{4.5}	48.6 x 16.9 x 14.2	309	\$29,501	V4
	300	370	250	312	CFW110370T4SZ-PGS	No	F ^{4.5}	48.6 x 16.9 x 14.2	309	\$31,449	V4
	400	477	300	370	CFW110477T4SZ-PGS	No	F ^{4.5}	48.6 x 16.9 x 14.2	309	\$41,162	V4
	450	515	400	477	CFW110515T4SZ-PGS	No	G ^{4.5}	50 x 21.1 x 16.8	474	\$44,105	V4
	500	601	450	515	CFW110601T4SZ-PGS	No	G ^{4.5}	50 x 21.1 x 16.8	474	\$50,223	V4
	600	720	500	560	CFW110720T4SZ-PGS	No	G ^{4.5}	50 x 21.1 x 16.8	474	\$59,465	V4

Notes:

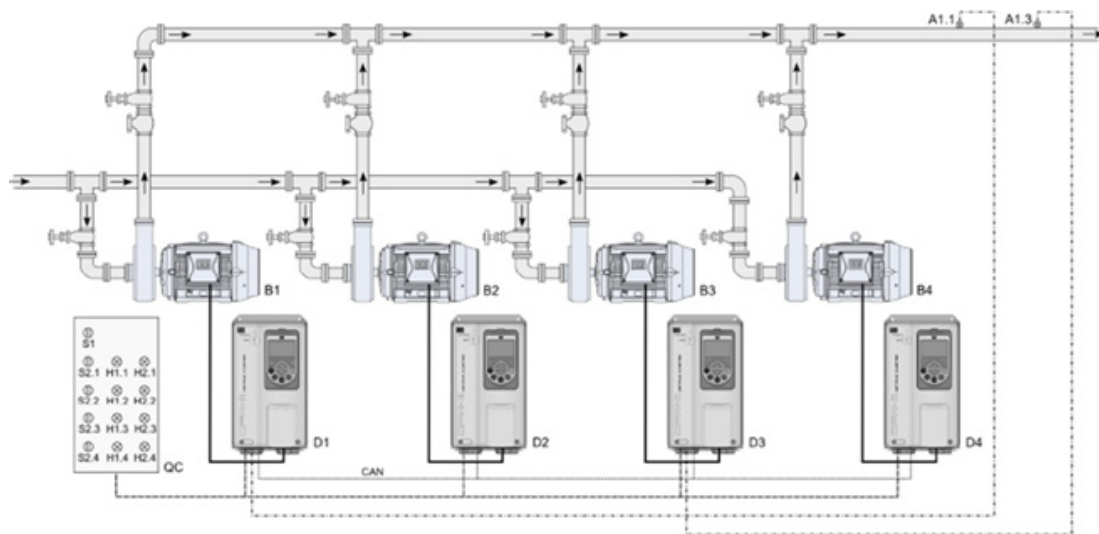
- 1) CT = Constant Torque, 150% overload / 60 sec.; VT = Variable Torque (Quadratic Load), 110% overload / 60 sec.
 - 2) "HP" rating based on "average FLA values". Use as a guide only.
 - 3) Motor FLA may vary with speed and manufacturer. ALWAYS compare motor FLA to Nominal AMPS of drive.
 - 4) Maximum 45°C ambient temperature without derating
 - 5) IP20 enclosure protection level
- For other technical data please refer to WEG product manual.

Pump Genius™ - Multiplex (Multiple Pump System Control)

Pump Genius™ - Multiplex Operation

The Pump Genius™ - Multiplex software monitors the system pressure or flow from a feedback device and maintains it at the control set point. The pumps are cycled on and off based on the accumulated run times to ensure even wear, increasing equipment reliability while extending the life span of the system. How it works:

- A minimum of one (1) VFD in the system is programmed as “Master/Slave”. This “Master/Slave” VFD has the capability to control the entire multiplex pump system (up to five (5) VFDs). Each “Master/Slave” VFD needs an analog feedback from the process (pressure or flow) connected to its respective analog input.
- Any VFDs in the system that are not programmed for “Master/Slave” operation will be set up in “Slave” mode and will follow commands from the lead “Master/Slave” VFD. A VFD set up as “Slave” is not capable of controlling the Pump Genius™ system.
- To establish a redundant pump configuration, at least two (2) VFDs need to be programmed as “Master/Slave”. The lead “Master/Slave” VFD will control the entire system and the following operating sequence will be followed:
 - ◆ The Pump and Motor with the least run time will be the first to start.
 - ◆ The Pump and Motor with the highest run time will be the first to stop.
 - ◆ A fault condition in the lead VFD such as ‘Communication Loss’, ‘Feedback Signal Lost / Broken Wire’, or a ‘Drive Fault’ will cause the pump system to transfer control to another “Master/Slave” VFD and the pump system will restart.
- VFDs ordered using the “Pump Genius™ - Multiplex” (CFW11xxxxxxZ-PGM) part number are provided with an RS-485 communication module and the ‘Multiplex’ version of Pump Genius™ software installed in the VFD.



Pump Genius™ - Multiplex Configuration

Variable Frequency Drives



PUMP GENIUS

Multi Drive Pump System (includes RS-485 communication card installed)

Motor Voltage	ND / VT ¹		HD / CT ¹		Catalog Number	Braking Transistor	Frame Size	Dimensions (in.) HxWxD	Approx. Weight (lbs.)	List Price	Multiplier	
	Motor HP ²	Drive Amps ³	Motor HP ²	Drive Amps ³								
230 Vac	Input Power Supply: Single or Three-Phase 200-240 Vac with Dynamic Braking Transistor											
	1 1/2	6.0	1 1/2	5.0	CFW110006B20N1Z-PGM	Yes	A	12.1 x 5.8 x 9.0	13.9	\$2,019	V4	
	2	7.0	2	7.0	CFW110007B20N1Z-PGM	Yes	A	12.1 x 5.8 x 9.0	13.9	\$2,091	V4	
	Input Power Supply: Single-Phase 200-240 Vac with Dynamic Braking Transistor											
	3	10	3	10	CFW110010S20N1Z-PGM	Yes	A	12.1 x 5.8 x 9.0	13.9	\$2,187	V4	
	Input Power Supply: Three-Phase 200-240 Vac with Dynamic Braking Transistor											
	2	7.0	1 1/2	5.5	CFW110007T20N1Z-PGM	Yes	A	12.1 x 5.8 x 9.0	13.9	\$1,995	V4	
	3	10	2	8.0	CFW110010T20N1Z-PGM	Yes	A	12.1 x 5.8 x 9.0	13.9	\$2,067	V4	
	5	13	3	11	CFW110013T20N1Z-PGM	Yes	A	12.1 x 5.8 x 9.0	13.9	\$2,103	V4	
	5	16	5	13	CFW110016T20N1Z-PGM	Yes	A	12.1 x 5.8 x 9.0	13.9	\$2,225	V4	
	7 1/2	24	7 1/2	20	CFW110024T20N1Z-PGM	Yes	B	13.9 x 7.5 x 9.0	23	\$2,799	V4	
	10	28	10	24	CFW110028T20N1Z-PGM	Yes	B	13.9 x 7.5 x 9.0	23	\$3,016	V4	
	10	34	10	28	CFW110033T20N1Z-PGM	Yes	B	13.9 x 7.5 x 9.0	23	\$3,565	V4	
	15	45	15	36	CFW110045T20N1Z-PGM	Yes	C	17.7 x 8.7 x 11.5	46	\$4,016	V4	
	20	54	20	45	CFW110054T20N1Z-PGM	Yes	C	17.7 x 8.7 x 11.5	46	\$4,775	V4	
	25	70	20	56	CFW110070T20N1Z-PGM	Yes	C	17.7 x 8.7 x 11.5	46	\$6,975	V4	
	30	86	25	70	CFW110086T20N1Z-PGM	Yes	D	19.9 x 11.9 x 12.0	72	\$7,597	V4	
	40	105	30	86	CFW110105T20N1Z-PGM	Yes	D	19.9 x 11.9 x 12.0	72	\$9,375	V4	
	Input Power Supply: Three-Phase 200-240 Vac without Dynamic Braking Transistor											
	50	142	40	115	CFW110142T20N1Z-PGM	No	E ⁴	26.6 x 13.2 x 14.1	144	\$12,024	V4	
60	180	50	142	CFW110180T20N1Z-PGM	No	E ⁴	26.6 x 13.2 x 14.1	144	\$15,500	V4		
75	211	60	180	CFW110211T20N1Z-PGM	No	E ⁴	26.6 x 13.2 x 14.1	144	\$21,935	V4		

continued on next pagee

Multi Drive Pump System (includes RS-485 communication card installed) - continued

Input Power Supply: Three-Phase 380-480 Vac with Dynamic Braking Transistor												
460 Vac	2	3.6	2	3.6	CFW110003T40N1Z-PGM	Yes	A	12.1 x 5.8 x 9.0	13.9	\$1,991	V4	
	3	5.0	3	5.0	CFW110005T40N1Z-PGM	Yes	A	12.1 x 5.8 x 9.0	13.9	\$2,025	V4	
	5	7.0	3	5.5	CFW110007T40N1Z-PGM	Yes	A	12.1 x 5.8 x 9.0	13.9	\$2,087	V4	
	7 1/2	10	5	10	CFW110010T40N1Z-PGM	Yes	A	12.1 x 5.8 x 9.0	13.9	\$2,344	V4	
	10	13.5	7 1/2	11	CFW110013T40N1Z-PGM	Yes	A	12.1 x 5.8 x 9.0	13.9	\$2,443	V4	
	10	17	10	13.5	CFW110017T40N1Z-PGM	Yes	B	13.9 x 7.5 x 9.0	23	\$2,905	V4	
	15	24	10	19	CFW110024T40N1Z-PGM	Yes	B	13.9 x 7.5 x 9.0	23	\$3,367	V4	
	20	31	15	25	CFW110031T40N1Z-PGM	Yes	B	13.9 x 7.5 x 9.0	23	\$4,248	V4	
	25	38	20	33	CFW110038T40N1Z-PGM	Yes	C	17.7 x 8.7 x 11.5	46	\$4,675	V4	
	30	45	25	38	CFW110045T40N1Z-PGM	Yes	C	17.7 x 8.7 x 11.5	46	\$5,775	V4	
	40	58.5	30	47	CFW110058T40N1Z-PGM	Yes	C	17.7 x 8.7 x 11.5	46	\$7,008	V4	
	50/60	70.5	40	61	CFW110070T40N1Z-PGM	Yes	D	19.9 x 11.9 x 12.0	72	\$7,875	V4	
	60/75	88	50	73	CFW110088T40N1Z-PGM	Yes	D	19.9 x 11.9 x 12.0	72	\$9,275	V4	
	Input Power Supply: Three-Phase 380-480 Vac without Dynamic Braking Transistor											
		75	105	75	88	CFW110105T40N1Z-PGM	No	E ⁴	26.6 x 13.2 x 14.1	144	\$11,025	V4
		100/125	142	75	115	CFW110142T40N1Z-PGM	No	E ⁴	26.6 x 13.2 x 14.1	144	\$12,875	V4
		150	180	100/125	142	CFW110180T40N1Z-PGM	No	E ⁴	26.6 x 13.2 x 14.1	144	\$17,875	V4
		175	211	150	180	CFW110211T40N1Z-PGM	No	E ⁴	26.6 x 13.2 x 14.1	144	\$21,375	V4
		200	242	150	211	CFW110242T4SZ-PGM	No	F ^{4,5}	48.6 x 16.9 x 14.2	309	\$23,375	V4
	250	312	200	242	CFW110312T4SZ-PGM	No	F ^{4,5}	48.6 x 16.9 x 14.2	309	\$29,741	V4	
	300	370	250	312	CFW110370T4SZ-PGM	No	F ^{4,5}	48.6 x 16.9 x 14.2	309	\$31,689	V4	
	400	477	300	370	CFW110477T4SZ-PGM	No	F ^{4,5}	48.6 x 16.9 x 14.2	309	\$41,402	V4	
	450	515	400	477	CFW110515T4SZ-PGM	No	G ^{4,5}	50 x 21.1 x 16.8	474	\$44,345	V4	
	500	601	450	515	CFW110601T4SZ-PGM	No	G ^{4,5}	50 x 21.1 x 16.8	474	\$50,463	V4	
	600	720	500	560	CFW110720T4SZ-PGM	No	G ^{4,5}	50 x 21.1 x 16.8	474	\$59,705	V4	

Notes:

- 1) CT = Constant Torque, 150% overload / 60 sec.; VT = Variable Torque (Quadratic Load), 110% overload / 60 sec.
 - 2) "HP" rating based on "average FLA values". Use as a guide only.
 - 3) Motor FLA may vary with speed and manufacturer. ALWAYS compare motor FLA to Nominal AMPS of drive.
 - 4) Maximum 45°C ambient temperature without derating
 - 5) IP20 enclosure protection level
- For other technical data please refer to WEG product manual.

General Information

CFW100

CFW300

CFW500

CFW700

CFW11

CFW11M

PUMP GENIUS

CFW700 SINGLE PHASE

CFW08 WASH

CFW501

CFW701

HVVW701

SSW05

SSW07

SSW06

EDP11 EDP700

GPH2

TPH2

CFW700 Drives for Single-Phase Supply

The WEG CFW700 for Single-Phase Supply is a high-performance variable frequency drive that uses Single-Phase input power and converts it to three-phase power for induction motors and other equipment. It is ideal for applications on machines or equipment that are powered by a three-phase induction motor where a three-phase power source is not viable.

The CFW700 features performance that can be scaled to match the application by selecting scalar control (V/F) or WEG field oriented Sensorless Vector control (Voltage Vector WEG), and Vector control with encoder.

A unique drive with valuable features:

- Simplicity – same setup and programming method as all other WEG drives
- Conformal Coated boards for harsh environments
- Rated 50 °C (122 °F) – up to 60 °C (140 °F) with derating
- Built in PID controllers can be programmed in engineering units to manage speed, flow or pressure.
- Encoder Input - Standard
- Integral 24VDC Power Supply available for process transducers is standard
- Soft-PLC with free WLP ladder programming software
- RS-485 Modbus RTU communications included as standard
- Self-tuning function automatically matches VFD with motor

CFW700 is available in variable torque and constant torque ratings for a broad range of applications.



Applications

- Centrifugal pumps
- Fans / Blowers
- Blenders / Mixers
- Centrifuges
- Compressors
- Conveyors
- Roller Tables
- Granulators
- Commercial Dryers
- Saw Equipment

CFW100

CFW300

CFW500

CFW700

CFW11

CFW11M

PUMP
Genius™CFW700
SINGLE
PHASECFW08
WASH

CFW501

CFW701

HVW701

SSW05

SSW07

SSW06

EDP11
EDP700

GPH2

TPH2

CFW700 Single-Phase Drives Catalog Number Sequence

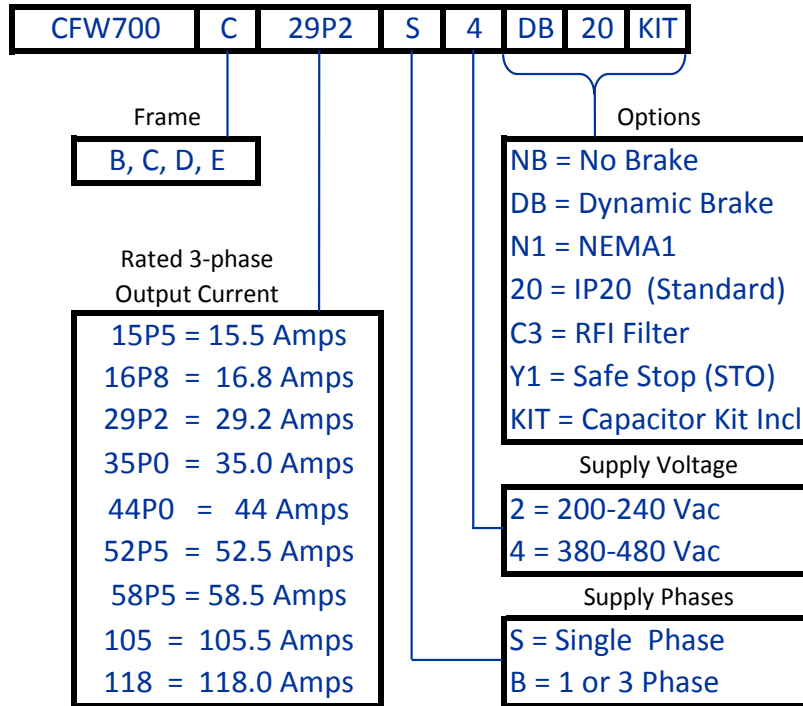


Table intended as reference only and not to create part numbers



CFW700 Single Phase Drives

IP20 Enclosure

Motor Voltage	HD / CT ¹		Catalog Number	Braking Transistor	Frame Size	Dimensions (in.) HxWxD ⁵	Approx. Weight (lbs.)	List Price	Multiplier	
	Motor HP ²	Drive Output Amps ³								
230 Vac	Input Power Supply: Single-Phase 200-240 Vac with Dynamic Braking Transistor									
	1 1/2	5.0	CFW700A06P0B2DBN1⁴	Yes	A	12.1 x 5.8 x 9.0	13.9	\$1,370	V1	
	2	7.0	CFW700A07P0B2DBN1⁴	Yes	A	12.1 x 5.8 x 9.0	13.9	\$1,430	V1	
	3	10.0	CFW700A10P0S2DBN1⁴	Yes	A	12.1 x 5.8 x 9.0	13.9	\$1,510	V1	
	5	16.8	CFW700B16P8S2DB20KIT	Yes	B	13.9 x 7.5 x 9.0	24.1	\$2,669	V1	
	Includes Qty. (1) IP00 DC Bus Capacitor Assembly; supplied loose					6.0 x 4.5 x 3.6	1.5			
	10	35.0	CFW700C35P0S2DB20KIT	Yes	C	17.7 x 8.7 x 11.5	44.6	\$4,730	V1	
	Includes Qty. (1) IP00 DC Bus Capacitor Assembly; supplied loose					6.0 x 7.5 x 6.6	4.5			
	20	52.5	CFW700D52P5S2DB20KIT	Yes	D	19.9 x 11.9 x 12.0	120.2	\$7,658	V1	
	Includes Qty. (1) IP00 DC Bus Capacitor Assembly; supplied loose					6.0 x 7.5 x 6.6	5.2			
	40	105.0	CFW700E0105S2DB20KIT⁴	Yes	E ⁶	26.6 x 13.2 x 14.1	143	\$18,107	V1	
	DC Bus Capacitor Kit Not Required									
460 Vac	Input Power Supply: Single-Phase 380-480 Vac with Dynamic Braking Transistor									
	10	15.5	CFW700B15P5S4DB20KIT	Yes	B	13.9 x 7.5 x 9.0	24.1	\$3,552	V1	
	Includes Qty. (1) IP00 DC Bus Capacitor Assembly; supplied loose					6.0 x 7.5 x 3.6	2.9			
	25	29.2	CFW700C29P2S4DB20KIT	Yes	C	17.7 x 8.7 x 11.5	44.6	\$6,637	V1	
	Includes Qty. (1) IP00 DC Bus Capacitor Assembly; supplied loose					6.0 x 7.5 x 6.6	5.2			
	30	44.0	CFW700D44P0S4DB20KIT	Yes	D	19.9 x 11.9 x 12.0	120.2	\$9,219	V1	
	Includes Qty. (2) IP00 DC Bus Capacitor Assembly; supplied loose					6.0 x 7.5 x 6.6 (ea.)	10.3			
100	118.0	CFW700E0118S4DB20KIT	Yes	E ⁶	26.6 x 13.2 x 14.1	143	\$19,980	V1		
Includes Qty. (1) IP00 DC Bus Capacitor Assembly; supplied loose					7.0 x 10.7 x 9.0	12.7				

Notes:

- 1) CT = Constant Torque; 150% overload for 60 seconds, repeatable every 10 minutes.
 - 2) "HP" rating based on "average FLA values". Use as a guide only.
 - 3) Motor FLA may vary with speed and manufacturer. ALWAYS compare motor FLA to Nominal AMPS of drive.
 - 4) This rating can be used with single-phase or three-phase supply without derating or additional capacitor kit.
 - 5) Dimensions are provided for estimating purposes only.
 - 6) Maximum 45°C ambient temperature without derating.
- For other technical data please refer to WEG product manual.

Dimensions

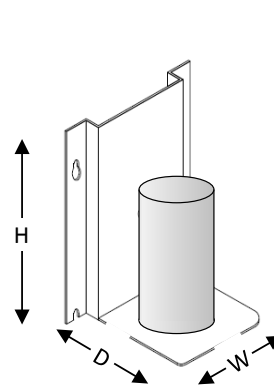


Figure 1

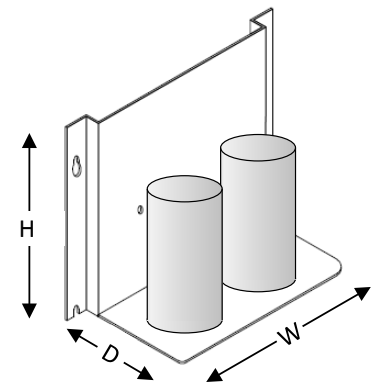


Figure 4

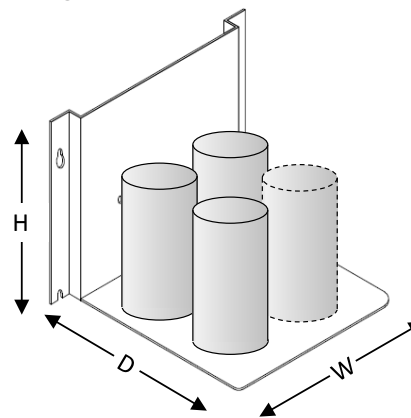


Figure 2,3 or 5

Dimensions and Weights

CFW700 Drive Catalog Number CFW700 Capacitor Kit Catalog Number	Motor HP 2	Drive Output Amps 3	Dimensions (in.) HxWxD 5	Frame Size	Approx. Weight (lbs.)
CFW700B16P8S2DB20KIT	5	16.8	13.9 x 7.5 x 9.0	B	24.1
CFW700B16P8S2CAPKIT - DC Bus Capacitor Assy.			6.0 x 4.5 x 3.6	Fig. 1	1.5
CFW700C35P0S2DB20KIT	15	35.0	17.7 x 8.7 x 11.5	C	44.6
CFW700C35P0S2CAPKIT - DC Bus Capacitor Assy.			6.0 x 7.5 x 6.6	Fig. 2	4.5
CFW700D52P5S2DB20KIT	30	52.5	19.9 x 11.9 x 12.0	D	120.2
CFW700D52P5S2CAPKIT - DC Bus Capacitor Assy.			6.0 x 7.5 x 6.6	Fig. 3	5.2
CFW700E0105S2DB20KIT ^{3,5}	40	105.5	26.6 x 13.2 x 14.1	E	143
DC Bus Capacitor Assy. Not Required					
CFW700B15P5S4DB20KIT	10	15.5	13.9 x 7.5 x 9.0	B	24.1
CFW700B15P5S4CAPKIT - DC Bus Capacitor Assy.			6.0 x 7.5 x 3.6	Fig. 4	2.9
CFW700C29P2S4DB20KIT	25	29.2	17.7 x 8.7 x 11.5	C	44.6
CFW700C29P2S4CAPKIT - DC Bus Capacitor Assy.			6.0 x 7.5 x 6.6	Fig. 3	5.2
CFW700D44P0S4DB20KIT	30	44.0	19.9 x 11.9 x 12.0	D	120.2
CFW700D44P0S4CAPKIT - DC Bus Capacitor Assy. (2 req'd.)			6.0 x 7.5 x 6.6 (ea.)	(2x) Fig. 3	10.3
CFW700E0118S4DB20KIT ⁵	100	118.0	26.6 x 13.2 x 14.1	E	143
CFW700E0118S4CAPKIT - DC Bus Capacitor Assy.			7.0 x 10.7 x 9.0	Fig. 5	12.7

1) "HP" rating based on "average FLA values". Use as a guide only.
 2) Motor FLA may vary with speed and manufacturer. ALWAYS compare motor FLA to Nominal AMPS of drive.
 3) This rating can be used with single-phase or three-phase supply without derating or additional capacitor kit.
 4) Dimensions weights are provided for estimating purposes only.
 5) Maximum 45°C ambient temperature without derating
 For other technical data please refer to WEG product manual.

CFW700 Single Phase Drives

Options and Accessories

Type	Catalog Number	Description	List Price	Multiplier
Communication	CAN-01	CAN interface module (CANopen/DeviceNet) (CFW11 & CFW700)	\$410	V1
	PROFIBUS DP-01	Profibus DP-V1 interface module (CFW11 & CFW700)	\$520	V1
I/O	CCK-01	Relay Output Module for CFW700 and CFW701 (2 DOR; NO/NC Form C)	\$105	V1
Flash Memory	MMF-02	Flash Memory Module for CFW700 and CFW701	\$71	V1
Keypad and Accessories	HMI-02	CFW700 Standard Keypad with USB for CFW700	\$320	V1
	RHMIF-02	CFW700 Remote Keypad Frame Kit for CFW700	\$69	V1
	HMID-01	Blank Keypad Cover for Keypad Slot (CFW11, CFW700 & CFW701)	\$54	V1
Remote Keypad Cable	IHM-CAB-RS-1M	3.3 ft (1 meter) Remote Keypad Cable (CFW11, CFW700 & CFW701)	\$54	V1
	IHM-CAB-RS-2M	6.6 ft (2 meter) Remote Keypad Cable (CFW11, CFW700 & CFW701)	\$60	V1
	IHM-CAB-RS-3M	9.9 ft (3 meter) Remote Keypad Cable (CFW11, CFW700 & CFW701)	\$66	V1
	IHM-CAB-RS-5M	16 ft (5 meter) Remote Keypad Cable (CFW11, CFW700 & CFW701)	\$75	V1
	IHM-CAB-RS-7.5M	25 ft (7.5 meter) Remote Keypad Cable (CFW11, CFW700 & CFW701)	\$90	V1
	IHM-CAB-RS-10M	33 ft (10 meter) Remote Keypad Cable (CFW11, CFW700 & CFW701)	\$102	V1
Remote Oper. Station	CSW-SP3PBS	Remote Operator Station-includes 22mm Start PB, Stop PB, 1-NC and 1-NO contact block, 5k-ohm Potentiometer and legends (replaces CFW-REM)	\$460	Z5
Remote Oper. Station	CSW30-SP3PBS	Remote Operator Station-includes 30mm Start PB, Stop PB, 1-NC and 1-NO contact block, 5k-ohm Potentiometer and legends (replaces CFW-REM)	\$535	Z5
Conduit Kit	KN1A-02	Conduit Kit for frame size A with power cables shielding	\$125	V1
	KN1B-02	Conduit Kit for frame size B with power cables shielding	\$125	V1
	KN1C-02	Conduit Kit for frame size C with power cables shielding	\$142	V1
	KN1E-01	Top cover kit for frame size E (105 & 142A)	\$78	V1
	KN1E-02	Top cover kit plus Conduit kit for frame size E (180 & 211A)	\$213	V1
	KIP21D-01	IP21 Kit for Frame size D (top cover) (CFW11 & CFW700)	\$120	V1
Cable Shield Kit	PCSA-01	Power Cables Shielding Kit for frame size A (CFW11 & CFW700)	\$48	V1
	PCSB-01	Power Cables Shielding Kit for frame size B (CFW11 & CFW700)	\$51	V1
	PCSC-01	Power Cables Shielding Kit for frame size C (CFW11 & CFW700)	\$54	V1
	PCSD-01	Power Cables Shielding Kit for frame size D (CFW11 & CFW700)	\$56	V1
	PCSE-01	Power Cables Shielding Kit for frame size E (CFW11 & CFW700)	\$76	V1

Notes:

Technical Data

Power Supply	Voltage	Single phase	200-240 Vac (+10%, -15%) 380-480 Vac (+10%, -15%)
	Frequency	50 / 60Hz +/- 2Hz	
Enclosure	Degree of Protection	IP20 (NEMA 1 Optional)	
Control	Control Modes	Volts per Hertz (Scalar)	Voltage Vector (VWV)
		Sensorless Vector	Vector with encoder
	Power Output	Sinusoidal PWM (Space Vector Modulation)	
		IGBT Transistors	
	Switching Frequency	1.25, 2.0, 2.5, 5.0 or 10.0 kHz	
	Frequency Range	0-300 Hz in Scalar Mode; 120 Hz in Vector Mode	
	Overload Capacity	CT = Constant Torque, 150% overload / 60 sec.	
Control Inputs	8 programmable isolated digital inputs, 24Vdc logic		
	2 isolated programmable differential analog inputs 11 bit; programmable for current or voltage (0-10V, 4-20mA or 0-20mA)		
	Motor thermistor - PTC/PT100/KTY84		
	Incremental encoder input – 5 to 12V		
Control Outputs	1 programmable relay output; NO/NC (Form C); 240Vac, 30Vdc / 0.75 A		
	4 programmable isolated open collector digital outputs; 24Vdc, 80mA max.		
	2 non-isolated programmable analog outputs 10 bit; programmable for current or voltage (0-10V, 4-20mA or 0-20mA)		
Communication	Serial	Optional RS-232 serial interface, RS-485 with external RS-232/485 converter	
	Field Bus	Isolated RS-485 / Modbus RTU (standard)	
		CAN interface module (CANopen/DeviceNet)	
		Profibus DP interface module	
Safety	Protections	Motor over current	DC link over voltage
		Motor overload	DC link under voltage
		Output phase-to-phase short circuit	Drive over temperature
		Output phase-to-ground short circuit	External fault
		Programming error	
Ambient	Temperature	14 - 122°F (50°C), up to 140°F (60°C) with 2% / 1.8°F (1°C) output current derating	
	Humidity	5-90% Non Condensing	
	Altitude	0-3300 ft (1000m), up to 13,200 ft (4000m) with 1% output current derating per 330ft (100m) above 3300 ft (1000m).	
Regulatory / Safety Conformance	IEC 60146	Semiconductor convertors	
	UL 508 C	Power Conversion Equipment	
	UL 840	Insulation coordination including clearances and creepage distances for electrical equipment.	
	UL 94	Plenum Rated - Meets UL94 Standard for Tests for Flammability	
	EN 50178	Electronic equipment for use in power installations	
	EN 61800-2	General requirements adjustable speed electrical power drive systems	
	EN 61800-3	EMC product standard including specific test methods adjustable speed electrical power drive systems	
	EN 61800-5-1	Safety requirements adjustable speed electrical power drive systems	
	EN 60204-1	Safety of machinery. Electrical equipment of machines. Part 1: General requirements.	
	RoHS and WEEE Guidelines		
Approvals	UL, cUL, CE, C-Tick, GOST, IRAM		
Special Functions	Linear and "S" ramp accel and decel, local/remote control, FWD/REV selection, DC braking, manual and auto torque boost, motor slip compensation, electronic pot, two skip frequencies, maximum and minimum adjustable frequency limits, adjustable output current		
Keypad	Backlit LCD display with 9 operator keys, remote mounting option available		
	Readouts for: output frequency (Hz), output current (A), output voltage (V), motor torque (%) in vector mode, DC bus voltage (V), value proportional to frequency (Ex.: RPM), heatsink temperature, fault and status messages		

Variable Frequency Drives



CFW08 WASH

The WEG CFW08 WASH Series is a redesign of our successful uline VFDs. Engineering improvements have produced one of the most compact and full featured microdrives in the marketplace.

Outstanding features and options in a NEMA 4 enclosure allow the CFW08 WASH to be successfully used in a large variety of applications.

Standard Features

- Same programming as other WEG VFD's
- V/Hz and Sensorless Vector Control
- NEMA 4X(IP56) Enclosure
- Single and Three-phase input voltage
- 200-240V, 380-480V or 500-600 input voltage
- 150% current overload capacity
- 16 bit DSP controlled PWM output
- 2.5 / 5 / 10 / 15 kHz adjustable swiching frequency
- Four isolated programmable digital inputs
- Two programmable relay outputs (1NO, 1NC, 240vac 0.5A)
- Two isolated programmable analog inputs (0-10V, 0/4-20mA)
- Protective features: Over current, motor overload, drive over temperature, output phase-to-phase and phase-to-ground short circuit, DC bus over and under voltage and external fault
- Control features: Linear and "S" ramp acceleration and deceleration, local/remote control, DC braking, torque boost, motor slip compensation, electronic pot, preset speeds, adjustable V/Hz profile, maximum and minimum adjustable frequency limits, two skip frequencies, adjustable output current limit, JOG, ride-thru, flying start and PID regulator.
- Display readings: Motor speed, frequency, voltage, current, last fault, heatsink temperature and drive status
- Ambient: 32°F (0°C) to 104°F (40°C), 3300ft (1000m) altitude, 90% humidity, non-condensing
- SuperDrive (G1) compatible



Applications NEMA 4X

- Pumps
- Fans
- Blowers
- Conveyors
- Rollout tables
- Agitators
- Mixers
- Any washdown applications

Optional Features

- Dynamic Braking Resistors available
 - Remote Keypad with Copy Function
 - RS-232 or RS-485 Serial Interface
 - Modbus Communication*
 - DIN rail mounting through 2HP
- *Requires optional RS-232 or RS-485 Interface

CFW08 WASH Catalog Number Sequence

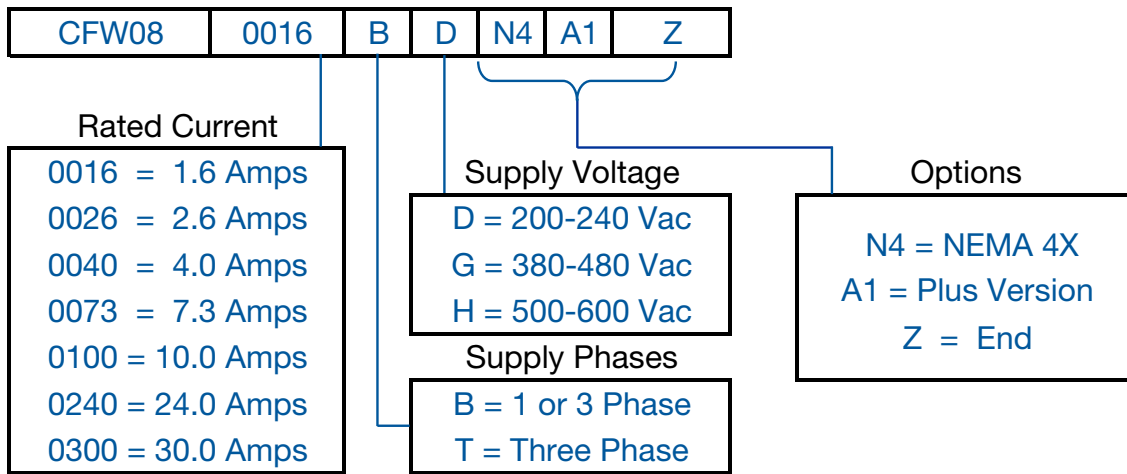


Table intended as reference only and not to create part numbers.

Variable Frequency Drives



CFW08 WASH

Wash Down - NEMA 4X Enclosure

Motor Voltage	Motor HP ¹	Drive Amps ²	Catalog Number	Braking Transistor	Frame Size	Dimensions (in.) HxWxD	Approx. Weight (lbs.)	List Price	Multiplier
230 Vac	Input Power Supply: Single or Three-Phase 200-240 Vac								
	2	7.3	CFW080073BDN4A1Z	Yes	A	10.4 x 6.5 x 8.5	5	\$929	V1
	3	10.0	CFW080100BDN4A1Z	Yes	A	10.4 x 6.5 x 8.5	5	\$1,039	V1
	Input Power Supply: Three-Phase 230 Vac								
	5	16	CFW080160TDN4A1Z	Yes	A	10.4 x 6.5 x 8.5	5	\$1,228	V1
	7 1/2	22	CFW080220TDN4A1Z	Yes	B	13.4 x 8.5 x 8.5	18	\$1,769	V1
10	28	CFW080280TDN4A1Z	Yes	B	13.4 x 8.5 x 8.5	18	\$2,266	V1	
460 Vac	Input Power Supply: Three-Phase 380-480 Vac								
	1	2.7	CFW080027TGN4A1Z	Yes	A	10.4 x 6.5 x 8.5	5	\$894	V1
	2	4.3	CFW080043TGN4A1Z	Yes	A	10.4 x 6.5 x 8.5	5	\$1,118	V1
	3	6.5	CFW080065TGN4A1Z	Yes	A	10.4 x 6.5 x 8.5	5	\$1,331	V1
	5	10	CFW080100TGN4A1Z	Yes	A	10.4 x 6.5 x 8.5	5	\$1,516	V1
	7 1/2	13	CFW080130TGN4A1Z	Yes	B	13.4 x 8.5 x 8.5	18	\$1,856	V1
	10	16	CFW080160TGN4A1Z	Yes	B	13.4 x 8.5 x 8.5	18	\$2,144	V1
	15	24	CFW080240TGN4A1Z	Yes	B	13.4 x 8.5 x 8.5	18	\$2,876	V1
	20	30	CFW080300TGN4A1Z	Yes	B	13.4 x 8.5 x 8.5	18	\$3,474	V1
575 Vac ³	Input Power Supply: Three-Phase 500-600 Vac								
	1	1.7	CFW080017THN4A1Z	Yes	B	13.4 x 8.5 x 8.5	18	\$1,259	V1
	2	3.0	CFW080030THN4A1Z	Yes	B	13.4 x 8.5 x 8.5	18	\$1,421	V1
	3	4.3	CFW080043THN4A1Z	Yes	B	13.4 x 8.5 x 8.5	18	\$1,485	V1
	5	7.0	CFW080070THN4A1Z	Yes	B	13.4 x 8.5 x 8.5	18	\$1,767	V1
	7 1/2	10	CFW080100THN4A1Z	Yes	B	13.4 x 8.5 x 8.5	18	\$2,077	V1
	10	12	CFW080120THN4A1Z	Yes	B	13.4 x 8.5 x 8.5	18	\$2,388	V1

Notes:

1) "HP" rating based on "average FLA values". Use as a guide only.

2) Motor FLA may vary with speed and manufacturer. ALWAYS compare motor FLA to Nominal AMPS of drive.

3) All 575V drives are non-stocked items. Consult WEG for availability.

For other technical data please refer to WEG product manual.

Options and Accessories

Type	Catalog Number	Description	List Price	Multiplier
Keypad	HMI-CFW08-RS	NEMA12 Remote Keypad (requires MIS-CFW08-RS & cable)	\$135	V1
	MIS-CFW08-RS	Remote Keypad Interface	\$64	V1
	TCL-CFW08	Keypad Cover	\$13	V1
	CAB-RS-1	3.3 ft (1m) Remote Keypad Cable	\$23	V1
	CAB-RS-2	6.6 ft (2m) Remote Keypad Cable	\$31	V1
	CAB-RS-3	9.9 ft (3m) Remote Keypad Cable	\$41	V1
	CAB-RS-5	16 ft (3m) Remote Keypad Cable	\$51	V1
	CAB-RS-7.5	25 ft (7.5m) Remote Keypad Cable	\$62	V1
	CAB-RS-10	33 ft (10m) Remote Keypad Cable	\$72	V1
I/O	KAC-120-CFW08	120VAC Digital Input Adaptor Board (4 inputs)	\$145	V1
Communication	KCS-CFW08	RS-232 Serial Comm. Module (mounted in place of keypad)	\$97	V1
	MIW-02	RS-232/485 Converter (mounted externally)	\$221	V1
	KSD-CFW08	PC Communication Kit	\$124	V1
	KRS-485-CFW08	Interface for RS-485 Communication	\$186	V1
DC Power Supply	KDC-24V-CFW08	24VDC power supply with standard CFW08 HMI integrated	\$177	V1
	KDC-24VR-CFW08	24VDC power supply with interface for remote keypad	\$211	V1
Remote Oper. Station	CSW-SP3PBS	Remote Operator Station-includes 22mm Start PB, Stop PB, 1-NC and 1-NO contact block, 5k-ohm Potentiometer and legends (replaces CFW-REM)	\$460	Z5
	CSW30-SP3PBS	Remote Operator Station-includes 30mm Start PB, Stop PB, 1-NC and 1-NO contact block, 5k-ohm Potentiometer and legends (replaces CFW-REM)	\$535	Z5

Variable Frequency Drives



Dynamic Braking Resistors for CFW08 WASH

NON-STOCK (call for lead time)

10% Duty Cycle

Motor Voltage	Motor HP ¹	CFW08 Catalog Number	WEG DB Resistor Catalog Number ²	Ohms	Watts	List Price	Multiplier
230 Vac	Input Power Supply: Single or Three-Phase 200-240 Vac						
	2	CFW080073BDN4A1Z	CFDB39-224	39	224	\$183	V1
	3	CFW080100BDN4A1Z	CFDB27-298	27	298	\$183	V1
	5	CFW080160TDN4A1Z	CFDB22-373	22	373	\$183	V1
	7 1/2	CFW080220TDN4A1Z	CFDB15-560	15	560	\$319	V1
	10	CFW080280TDN4A1Z	CFDB10-746	10	746	\$319	V1
460 Vac	Input Power Supply: Three-Phase 380-480 Vac						
	1	CFW080027TGN1A1Z	CFDB120-298	120	298	\$183	V1
	2	CFW080043TGN1A1Z	CFDB120-298	120	298	\$183	V1
	3	CFW080065TGN1A1Z	CFDB100-224	100	224	\$183	V1
	5	CFW080100TGN1A1Z	CFDB47-746	47	746	\$319	V1
	7 1/2	CFW080130TGN1A1Z	CFDB33-746	33	746	\$319	V1
	10	CFW080160TGN1A1Z	CFDB33-746	33	746	\$319	V1
	15	CFW080240TGN1A1Z	CFDB22-1119	22	1119	\$481	V1
	20	CFW080300TGN1A1Z	CFDB18-1492	18	1492	\$638	V1

Notes:

- "HP" rating based on "average FLA values". Use as a guide only.
- Dynamic Braking Resistors are non-stock items. Consult WEG for availability

Technical Data

Power Supply	Voltage	Single Phase or Three Phase	200-240V (+10%, -15%)
		Three phase	380-480V (+10%, -15%)
	Frequency	50 / 60Hz +/- 2Hz	
	Displacement Power Factor (Cos)	Greater than 0.98	
Enclosure	Degree of Protection	NEMA 4	
Control	Control Modes	Volts per Hertz (Scalar)	
		Sensorless Voltage Vector VVV	
	Power Output	Sinusoidal PWM (Space Vector Modulation)	
		IGBT Transistors	
	Switching Frequency	2.5, 5, 10 or 15kHz	
	Frequency Range	0-300 Hz	
Overload Capacity	150% for 60 seconds, repeatable every 10 min.		
Control Inputs	4 programmable isolated digital inputs, NPN or 24Vdc logic (PNP)		
	2 programmable differential analog inputs; programmable for current or voltage Can be set as DI or as PTC input (0-10V, 4-20mA or 0-20mA)		
Control Outputs	2 programmable relay outputs: One NO (Form A) and one NC (Form B): 240 V / 0.5 A		
	1 Output with independent NO and NC at a same common		
	1 Analog Output; programmable for voltage (0-10V) or current (0-20 mA or 4-20 mA) and with 0.25% linearity error		
Communication	Serial	Optional RS-232 serial interface, RS-485 with external RS-232/485 converter	
	Field Bus	Modbus RTU with external RS-232/485 converter	
Safety	Protections	Motor over current	DC link over voltage
		Motor overload	DC link under voltage
		Output phase-to-phase short circuit	Drive over temperature
		Output phase-to-ground short circuit	External fault
		Programming error	
Ambient	Temperature	32° - 104°F (40°C), up to 122°F (50°C) with 2% / 1.8°F (1°C) output current derating	
	Humidity	5-90% Non Condensing	
	Altitude	0-3300 ft (1000m), up to 13,200 ft (4000m) with 1% output current derating per 330ft (100m) above 3300 ft (1000m).	
Regulatory Conformance	EMC Directive 89 / 336 / EEC	Electromagnetic compatibility – Industrial Environment EMC Emission and Immunity with optional filter	
	ENC61800-3		
	LVD 73/23/EEC	Low Voltage Directive	
	UL 508 C	Power Conversion Equipment	
Special Functions	Linear and “S” ramp accel and decel, local/remote control, FWD/REV selection, DC braking, manual and auto torque boost, motor slip compensation, electronic pot, two skip frequencies, maximum and minimum adjustable frequency limits, adjustable output current, PID Controller		
Keypad	4 digit display, 2 indicator LEDs and 8 keys		
	Readouts for: output frequency (Hz), output current (A), output voltage (V), motor torque (%) in vector mode, DC bus voltage (V), value proportional to frequency (Ex.: RPM), heatsink temperature, fault and status messages		
Mounting	Surface mounting with screws.		

General Information
CFW100
CFW300
CFW500
CFW700
CFW11
CFW11M
PUMP GENIUS
CFW700 SINGLE PHASE
CFW08 WASH
CFW501
CFW701
HVV701
SSW05
SSW07
SSW06
EDP11 EDP700
GPH2
TPH2

WEG HVAC-R Products

CFW100

CFW300

CFW500

CFW700

CFW11

CFW11M

PUMP GENIUS

CFW700 SINGLE PHASE

CFW08 WASH

CFW501

CFW701

HVW701

SSW05

SSW07

SSW06

EDP11 EDP700

GPH2

TPH2

Drive Features

- RFI filter built-in for all frame sizes
- BACnet, Metasys N2 and Modbus-RTU embedded using the RS-485 port
- Thermal Management for drive fan control
- Soft PLC Function
- Process feedback in engineering units
- Direct/Reverse PID Control Selection
- Control Set point

Performance Features

- Overload capacity: nominal 110% for 60sec. (150% peak)
- Adjustable accel/decel: 0.0 to 900.0 Sec.
- Controlled speed range: 1:20
- Critical frequency avoidance: 3 selectable, adjustable bands
- Torque-limiting: 30-180%
- Torque boost: full range, automatic
- Fault Auto-Reset with programmable time interval
- Feedback signal loss detection
- Serial communications loss detection
- "Up/Down" floating point control capability (PI)
- Sleep function
- Run-permissive input

Drive and Motor Protection Features

- Current-limited stall prevention
- Heat sink over-temperature, speed fold-back
- Bi-directional start into rotating motor
- Optically-isolated controls
- Output short circuit protection: Phase-phase and phase-neutral
- Output Ground Fault Protection
- Electronic motor overload: UL
- Fault display: last 10 faults

Control Features

Power Saving Flux Optimization - (Energy Saving Algorithm) Stator flux is controlled so that motor losses are reduced increasing motor efficiency

Fire Mode – Forces the drive to override its internal faults and protections, allowing the drive and motor to run during extreme conditions

Dry Pump – Monitors motor torque and prevents the pump from running with no load

Sleep / Wake-Up Mode – Prevents prolonged motor operation at low speeds for a programmable amount of time. Wake-up mode determines when the drive and motor resume normal operation

Bypass function – Allows the VFD to be bypassed and the motor to be run across the line

Short Cycling Protection – Prevents repetitive motor restarting after short periods of time

Broken Belt Protection – Monitors motor torque preventing it from running with no load in case of a broken belt or coupling

Filter Maintenance Alarm – A warning for filter maintenance is displayed on the keypad based on an adjustable time interval (time is programmed in the drive)

PTC function – Using drive I/O, PTC thermal sensors can be monitored to prevent motor overheating

Main PID Controller – Internal PID loops available for drive control



CFW501 HVAC-R Drives

The WEG CFW501 series of variable frequency drives for heating, ventilation, air conditioning and refrigeration was designed with the features and functions required for modern HVAC systems. The CFW501 is designed with the same reliability, robustness and energy-efficient control known in our industrial lines. WEG now brings this technology to office buildings, hospitals, airports, hotels, shopping centers or other similar facilities.

CFW501 Features

- CFW501 Ratings: 1/3-7 1/2 HP @ 230 Vac; 1/2-25 HP @ 480 Vac.
- Conformal Coated Circuit Boards - provides protection against dust, humidity, high temperature and chemicals
- Plenum Rated - Meets UL94 Requirements
- IP20 enclosure with NEMA 1 conversion kits available
- Harmonics - Meets IEC 61000-3-12 requirements
 - No line reactor required
 - No restrictions for installation, no minimum line impedance required
- Communications - BACnet MS/TP | Metasys N2 | Modbus-RTU native to the drive
- Heat sink and internal temperature monitoring provides protection for critical components such as IGBTs and circuit boards
- Fan operation is controlled based on the temperature of power modules
 - Reduces energy consumption when drive is not supplying power to the motor



Applications

- | | |
|---|--|
| <ul style="list-style-type: none"> • Hospitals • Airports • Shopping Malls • Sports Facilities • Schools and Universities • Hotels and Restaurants • Condominium and Residential • Municipal and Commercial Buildings | <ul style="list-style-type: none"> • Chillers and Compressors • Cooling Towers • Boiler Circulation Pumps • Chill Water Circulation Pumps • Exhaust Fans • Clean Room Air Handling • Tunnel Ventilation |
|---|--|

- General Information
- CFW100
- CFW300
- CFW500
- CFW700
- CFW11
- CFW11M
- PUMP GENIUS
- CFW700 SINGLE PHASE
- CFW08 WASH
- CFW501**
- CFW701
- HVV701
- SSW05
- SSW07
- SSW06
- EDP11 EDP700
- GPH2
- TPH2

CFW501 Catalog Number Sequence

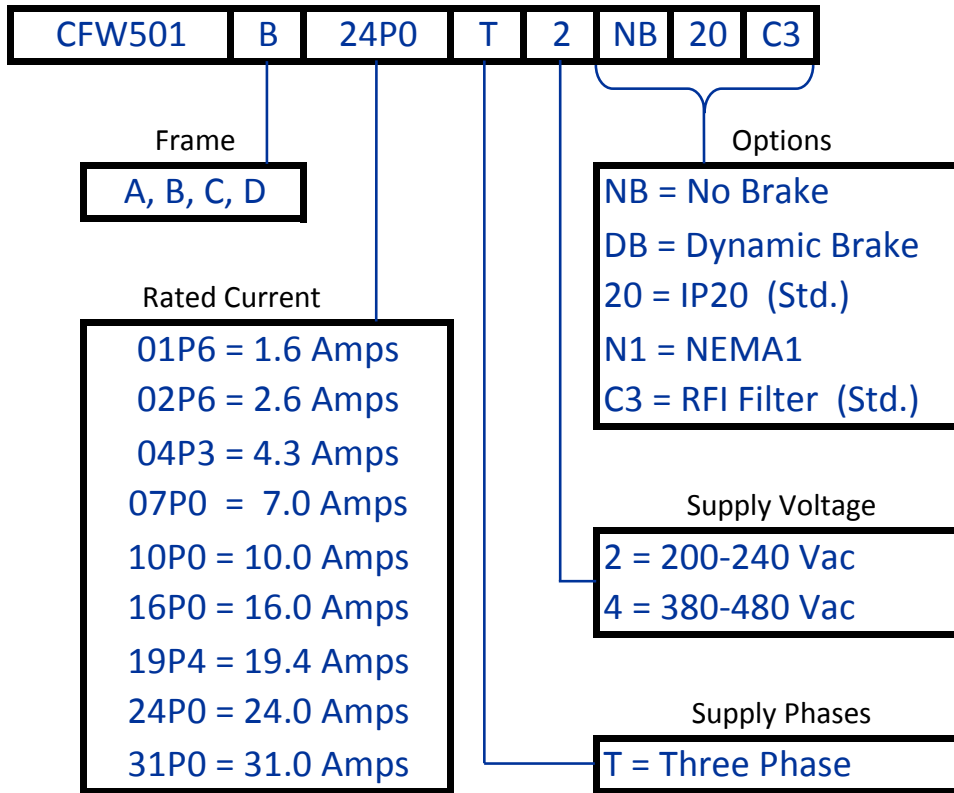


Table intended as reference only and not to create part numbers.



CFW501 IP20 Enclosure

General Information
CFW100
CFW300
CFW500
CFW700
CFW700
CFW11
CFW11M
PUMP GENIUS
CFW700 SINGLE PHASE
CFW08 WASH
CFW501
CFW701
HVVW701
SSW05
SSW07
SSW06
EDP11 EDP700
GPH2
TPH2

Motor Voltage	ND / VT ¹		Catalog Number	Braking Transistor	Frame Size	Dimensions (in.) HxWxD ⁴	Approx. Weight (lbs.)	List Price	Multiplier	
	Motor HP ²	Drive Amps ³								
230 Vac	Input Power Supply: Three-Phase 220-230 Vac without Dynamic Braking Transistor									
	1/3	1.6	CFW501A01P6T2NB20C3	No	A	7.5 x 3.0 x 5.9	1.8	\$563	V3	
	3/4	2.6	CFW501A02P6T2NB20C3	No	A	7.5 x 3.0 x 5.9	1.8	\$601	V3	
	1 1/2	4.3	CFW501A04P3T2NB20C3	No	A	7.5 x 3.0 x 5.9	1.8	\$652	V3	
	2	7.0	CFW501A07P0T2NB20C3	No	A	7.5 x 3.0 x 5.9	1.8	\$736	V3	
	3	9.6	CFW501A09P6T2NB20C3	No	A	7.5 x 3.0 x 5.9	1.8	\$804	V3	
	4	12.2	CFW501A12P2T2NB20C3	No	A	7.5 x 3.0 x 5.9	1.8	\$873	V3	
	Input Power Supply: Three-Phase 200-240 Vac with Dynamic Braking Transistor									
	5	16.0	CFW501B16P0T2DB20C3	Yes	B	7.9 x 4.0 x 6.3	2.7	\$1,009	V3	
	7 1/2	19.4	CFW501B19P4T2DB20C3	Yes	B	7.9 x 4.0 x 6.3	2.7	\$1,111	V3	
	7 1/2	24.0	CFW501C24P0T2DB20C3	Yes	C	8.3 x 5.3 x 6.5	4.4	\$1,552	V3	
	460 Vac	Input Power Supply: Three-Phase 380-480 Vac without Dynamic Braking Transistor								
		1/2	1.0	CFW501A01P0T4NB20C3	No	A	7.5 x 3.0 x 5.9	1.8	\$745	V3
1		1.6	CFW501A01P6T4NB20C3	No	A	7.5 x 3.0 x 5.9	1.8	\$761	V3	
1 1/2		2.6	CFW501A02P6T4NB20C3	No	A	7.5 x 3.0 x 5.9	1.8	\$799	V3	
3		4.3	CFW501A04P3T4NB20C3	No	A	7.5 x 3.0 x 5.9	1.8	\$917	V3	
5		6.1	CFW501A06P1T4NB20C3	No	A	7.5 x 3.0 x 5.9	1.8	\$1,051	V3	
Input Power Supply: Three-Phase 380-480 Vac with Dynamic Braking Transistor										
1 1/2		2.6	CFW501B02P6T4DB20C3	Yes	B	7.9 x 4.0 x 6.3	2.7	\$835	V3	
3		4.3	CFW501B04P3T4DB20C3	Yes	B	7.9 x 4.0 x 6.3	2.7	\$958	V3	
5		6.5	CFW501B06P5T4DB20C3	Yes	B	7.9 x 4.0 x 6.3	2.7	\$1,092	V3	
7 1/2		10.0	CFW501B10P0T4DB20C3	Yes	B	7.9 x 4.0 x 6.3	2.7	\$1,299	V3	
10		14.0	CFW501C14P0T4DB20C2	Yes	C	8.3 x 5.3 x 6.5	4.4	\$1,609	V3	
10		16.0	CFW501C16P0T4DB20C2	Yes	C	8.3 x 5.3 x 6.5	4.4	\$1,886	V3	
15		24.0	CFW501D24P0T4DB20C3	Yes	D	12.1 x 7.1 x 6.6	9.5	\$2,321	V3	
25		31.0	CFW501D31P0T4DB20C3	Yes	D	12.1 x 7.1 x 6.6	9.5	\$2,716	V3	

Notes:

- 1) VT = Variable Torque (Quadratic Load), 110% overload / 60 sec.
- 2) "HP" rating based on "average FLA values". Use as a guide only.
- 3) Motor FLA may vary with speed and manufacturer. ALWAYS compare motor FLA to Nominal AMPS of drive.
- 4) Dimensions are provided for estimating purposes only.
For other technical data please refer to WEG product manual.

CFW501

Technical Data

Power Supply	Voltage	Single Phase or Three Phase	200-240 Vac (+10%, -15%)
		Three phase	380-480 Vac (+10%, -15%)
	Frequency	50 / 60Hz +/- 2Hz	
Enclosure	Degree of Protection	IP 20	
	Mounting	Surface mounting with screws or DIN rail mounting	
Control	Control Modes	Volts per Hertz (Scalar)	
		Sensorless Voltage Vector	
	Power Output	Sinusoidal PWM (Space Vector Modulation)	
		IGBT Transistors	
	Switching Frequency	2.5, 5, 10 or 15kHz	
	Frequency Range	0-300 Hz	
	Overload Capacity	150% for 60 seconds, repeatable every 10 min.	
Control Inputs		4 programmable isolated digital inputs, NPN or 24Vdc logic (PNP)	
		2 programmable differential analog inputs; programmable for current or voltage Can be set as DI or as PTC input (0-10V, 4-20mA or 0-20mA)	
Control Outputs		2 programmable relay outputs: One NO (Form A) and one NC (Form B): 240 V / 0.5 A	
Communication	Serial	Optional RS-232 serial interface, RS-485 with external RS-232/485 converter	
	Field Bus	Modbus RTU with external RS-232/485 converter	
Safety	Protections	Motor over current	DC link over voltage
		Motor overload	DC link under voltage
		Output phase-to-phase short circuit	Drive over temperature
		Output phase-to-ground short circuit	External fault
		Programming error	
Ambient	Temperature	32 - 122°F (50°C), up to 140°F (60°C) with 2% / 1.8°F (1°C) output current derating	
	Humidity	5-95% Non Condensing	
	Altitude	0-3300 ft (1000m), up to 13,200 ft (4000m) with 1% / 330ft (100m) output current derating	
Regulatory Conformance	EMC Directive 89 / 336 / EEC	Electromagnetic compatibility – Industrial Environment EMC Emission and Immunity with optional filter	
	ENC61800-3		
	LVD 73/23/EEC	Low Voltage Directive	
	UL 508 C	Power Conversion Equipment	
Special Functions		Linear and “S” ramp accel and decel, local/remote control, FWD/REV selection, DC braking, manual and auto torque boost, motor slip compensation, electronic pot, two skip frequencies, maximum and minimum adjustable frequency limits, adjustable output current	
Keypad		4 digit display, 2 indicator LEDs and 8 keys	
		Readouts for: output frequency (Hz), output current (A), output voltage (V), motor torque (%) in vector mode, DC bus voltage (V), value proportional to frequency (Ex.: RPM), heatsink temperature, fault and status messages	

CFW701

WEG, a leading supplier of drive technology, as well as automation solutions, has enhanced the line of variable frequency drives for heating, ventilation, air conditioning and refrigeration. The CFW701 was designed with the features and functions required for HVAC systems, with the same reliability, robustness and energy-efficient control known in our industrial lines. WEG now brings this technology to hospitals, airports, office buildings, hotels, shopping centers or other similar facilities.

Standard Features

- VFD life-time is extended: protects against dust, humidity, high temperature and chemicals
- Plenum Rated - Meets UL94 Requirements
- Meets IEC 61000-3-12 requirements with built-in DC link chokes
- No line reactor required
- No restrictions for installation, minimum impedance is not required
- BACnet MS/TP | Metasys N2 | Modbus-RTU Communications
- Monitor heat sink and inside air temperature for better protection to critical components e.g. IGBTs and control board
- Fans installed closed to heatsink are controlled based on the temperature of power modules
- Readings of fan operation hours can be analyzed through parameters and alarm or fault messages are displayed
- Easy removal of fans for easy maintenance and/or replacement



Applications

- | | |
|----------------------------|--------------------------|
| • Hospitals | • Airports |
| • Malls | • Stadiums |
| • Schools and Universities | • Hotels and Restaurants |
| • Commercial buildings | • Residential |
| • Pumps and Fans | • Compressors |
| • Condensers | • Evaporators |
| • Cooling towers | • Boilers/Chillers |

- General Information
- CFW100
- CFW300
- CFW500
- CFW700
- CFW11
- CFW11M
- PUMP GENIUS
- CFW700 SINGLE PHASE
- CFW08 WASH
- CFW501
- CFW701**
- HVVW701
- SSW05
- SSW07
- SSW06
- EDP11 EDP700
- GPH2
- TPH2

CFW701 Catalog Number Sequence

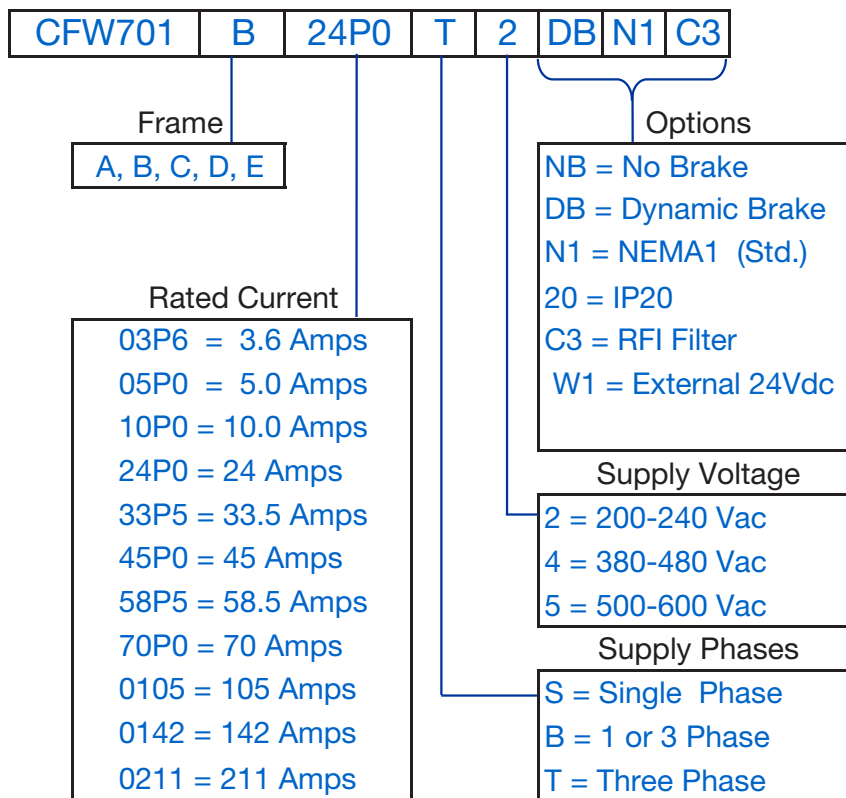


Table intended as reference only and not to create part numbers.





NEMA 1 Enclosure

Motor Voltage	ND / VT ¹		HD / CT ¹		Catalog Number	Braking Transistor	Frame Size	Dimensions (in.) HxWxD ⁶	Approx. Weight (lbs.)	List Price	Multiplier	
	Motor HP ²	Drive Amps ³	Motor HP ²	Drive Amps ³								
230 Vac	Input Power Supply: Single-Phase 200-240 Vac with Dynamic Braking Transistor											
	1 1/2	6.0	1 1/2	5.0	CFW701A06POS2DBN1C3	Yes	A	12.1 x 5.8 x 9.0	13.9	\$1,370	V3	
	2	7.0	2	7.0	CFW701A07POS2DBN1C3	Yes	A	12.1 x 5.8 x 9.0	13.9	\$1,430	V3	
	3	10	3	10	CFW701A10POS2DBN1C3	Yes	A	12.1 x 5.8 x 9.0	13.9	\$1,510	V3	
	Input Power Supply: Three-Phase 200-240 Vac with Dynamic Braking Transistor											
	2	7.0	1 1/2	5.5	CFW701A07POT2DBN1C3	Yes	A	12.1 x 5.8 x 9.0	13.9	\$1,350	V3	
	3	10	2	8.0	CFW701A10POT2DBN1C3	Yes	A	12.1 x 5.8 x 9.0	13.9	\$1,410	V3	
	5	13	3	11	CFW701A13POT2DBN1C3	Yes	A	12.1 x 5.8 x 9.0	13.9	\$1,440	V3	
	5	16	5	13	CFW701A16POT2DBN1C3	Yes	A	12.1 x 5.8 x 9.0	13.9	\$1,542	V3	
	7 1/2	24	7 1/2	20	CFW701B24POT2DBN1C3	Yes	B	13.9 x 7.5 x 9.0	24.1	\$2,020	V3	
	10	28	10	24	CFW701B28POT2DBN1C3	Yes	B	13.9 x 7.5 x 9.0	24.1	\$2,201	V3	
	10	33.5	10	28	CFW701B33P5T2DBN1C3	Yes	B	13.9 x 7.5 x 9.0	24.1	\$2,600	V3	
	15	45	15	36	CFW701C45POT2DBN1C3	Yes	C	17.7 x 8.7 x 11.5	44.6	\$2,900	V3	
	20	54	20	45	CFW701C54POT2DBN1C3	Yes	C	17.7 x 8.7 x 11.5	44.6	\$3,700	V3	
	25	70	20	56	CFW701C70POT2DBN1C3	Yes	C	17.7 x 8.7 x 11.5	44.6	\$4,880	V3	
	30	86	25	70	CFW701D86POT2DBN1C3	Yes	D	19.9 x 11.9 x 12.0	120.2	\$6,101	V3	
	40	105	30	86	CFW701D0105T2DBN1C3	Yes	D	19.9 x 11.9 x 12.0	120.2	\$8,100	V3	
	Input Power Supply: Three-Phase 200-240 Vac without Dynamic Braking Transistor											
	50	142	40	115	CFW701E0142T2NBN1C3	No	E ⁵	26.6 x 13.2 x 14.1	143	\$10,101	V3	
	60	180	50	142	CFW701E0180T2NBN1C3	No	E ⁵	26.6 x 13.2 x 14.1	143	\$12,999	V3	
	75	211	60	180	CFW701E0211T2NBN1C3	No	E ⁵	26.6 x 13.2 x 14.1	143	\$18,555	V3	
460 Vac	Input Power Supply: Three-Phase 380-480 Vac with Dynamic Braking Transistor											
	2	3.6	2	3.6	CFW701A03P6T4DBN1C3	Yes	A	12.1 x 5.8 x 9.0	13.9	\$1,350	V3	
	3	5.0	3	5.0	CFW701A05POT4DBN1C3	Yes	A	12.1 x 5.8 x 9.0	13.9	\$1,444	V3	
	5	7.0	3	5.5	CFW701A07POT4DBN1C3	Yes	A	12.1 x 5.8 x 9.0	13.9	\$1,510	V3	
	7 1/2	10	5	10	CFW701A10POT4DBN1C3	Yes	A	12.1 x 5.8 x 9.0	13.9	\$1,600	V3	
	10	13.5	7 1/2	11	CFW701A13P5T4DBN1C3	Yes	A	12.1 x 5.8 x 9.0	13.9	\$1,711	V3	
	10	17	10	13.5	CFW701B17POT4DBN1C3	Yes	B	13.9 x 7.5 x 9.0	24.1	\$2,055	V3	
	15	24	10	19	CFW701B24POT4DBN1C3	Yes	B	13.9 x 7.5 x 9.0	24.1	\$2,455	V3	
	20	31	15	25	CFW701B31POT4DBN1C3	Yes	B	13.9 x 7.5 x 9.0	24.1	\$3,450	V3	
	25	38	20	33	CFW701C38POT4DBN1C3	Yes	C	17.7 x 8.7 x 11.5	44.6	\$3,888	V3	
	30	45	25	38	CFW701C45POT4DBN1C3	Yes	C	17.7 x 8.7 x 11.5	44.6	\$5,000	V3	
	40	58.5	30	47	CFW701C58P5T4DBN1C3	Yes	C	17.7 x 8.7 x 11.5	44.6	\$5,800	V3	
	50/60	70.5	40	61	CFW701D70P5T4DBN1C3	Yes	D	19.9 x 11.9 x 12.0	120.2	\$6,888	V3	
	75	88	50	73	CFW701D88POT4DBN1C3	Yes	D	19.9 x 11.9 x 12.0	120.2	\$8,100	V3	
	Input Power Supply: Three-Phase 380-480 Vac without Dynamic Braking Transistor											
	75	105	75	88	CFW701E0105T4NBN1C3	No	E ⁵	26.6 x 13.2 x 14.1	143	\$9,999	V3	
100/125	142	75	115	CFW701E0142T4NBN1C3	No	E ⁵	26.6 x 13.2 x 14.1	143	\$12,000	V3		
150	180	100	142	CFW701E0180T4NBN1C3	No	E ⁵	26.6 x 13.2 x 14.1	143	\$15,400	V3		
175	211	150	180	CFW701E0211T4NBN1C3	No	E ⁵	26.6 x 13.2 x 14.1	143	\$18,787	V3		

Notes:

- 1) CT = Constant Torque, 150% overload / 60 sec.; VT = Variable Torque (Quadratic Load), 110% overload / 60 sec.
 - 2) "HP" rating based on "average FLA values". Use as a guide only.
 - 3) Motor FLA may vary with speed and manufacturer. ALWAYS compare motor FLA to Nominal AMPS of drive.
 - 4) All 575V drives are non-stocked items. Consult WEG for availability.
 - 5) Maximum 45°C ambient temperature without derating
 - 6) Dimensions are provided for estimating purposes only.
- For other technical data please refer to WEG product manual.

General Information

CFW100

CFW300

CFW500

CFW700

CFW11

CFW11M

CFW11

CFW11M

PUMP GENIUS

CFW700 SINGLE PHASE

CFW08 WASH

CFW501

CFW701

HVW701

SSW05

SSW07

SSW06

EDP11 EDP700

GP2

TP2

Variable Frequency Drives



CFW701

NEMA 1 Enclosure

Motor Voltage	ND / VT ¹		HD / CT ¹		Catalog Number	Braking Transistor	Frame Size	Dimensions (in.) HxWxD ⁶	Approx. Weight (lbs.)	List Price	Multiplier
	Motor HP ²	Drive Amps ³	Motor HP ²	Drive Amps ³							
575 Vac ⁴	Input Power Supply: Three-Phase 500-600 Vac with Dynamic Braking Transistor										
	2	2.9	2	2.7	CFW701B02P9T5DBN1C3	Yes	B	13.9 x 7.5 x 9.0	24.1	\$1,689	V3
	3	4.2	3	3.8	CFW701B04P2T5DBN1C3	Yes	B	13.9 x 7.5 x 9.0	24.1	\$1,759	V3
	7 1/2	7.0	5	6.5	CFW701B07P0T5DBN1C3	Yes	B	13.9 x 7.5 x 9.0	24.1	\$1,874	V3
	10	10	7 1/2	9.0	CFW701B10P0T5DBN1C3	Yes	B	13.9 x 7.5 x 9.0	24.1	\$2,048	V3
	10	12	10	10	CFW701B12P0T5DBN1C3	Yes	B	13.9 x 7.5 x 9.0	24.1	\$2,171	V3
	15	17	15	17	CFW701B17P0T5DBN1C3	Yes	B	13.9 x 7.5 x 9.0	24.1	\$2,552	V3
	Input Power Supply: Three-Phase 500-600 Vac without Dynamic Braking Transistor										
	20	22	20	19	CFW701D22P0T5NBN1C3	No	D	19.9 x 11.9 x 12.0	120.2	\$3,921	V3
	25	27	20	22	CFW701D27P0T5NBN1C3	No	D	19.9 x 11.9 x 12.0	120.2	\$4,450	V3
	30	32	25	27	CFW701D32P0T5NBN1C3	No	D	19.9 x 11.9 x 12.0	120.2	\$5,763	V3
	40	44	30	36	CFW701D44P0T5NBN1C3	No	D	19.9 x 11.9 x 12.0	120.2	\$6,768	V3
	50	53	40	44	CFW701E53P0T5NBN1C3	No	E ⁵	26.6 x 13.2 x 14.1	143	\$8,446	V3
	60	63	50	53	CFW701E63P0T5NBN1C3	No	E ⁵	26.6 x 13.2 x 14.1	143	\$10,728	V3
	75	80	75	66	CFW701E80P0T5NBN1C3	No	E ⁵	26.6 x 13.2 x 14.1	143	\$11,200	V3
	100	107	100	90	CFW701E0107T5NBN1C3	No	E ⁵	26.6 x 13.2 x 14.1	143	\$15,042	V3
	125	125	100	107	CFW701E0125T5NBN1C3	No	E ⁵	26.6 x 13.2 x 14.1	143	\$15,662	V3
	150	150	125	122	CFW701E0150T5NBN1C3	No	E ⁵	26.6 x 13.2 x 14.1	143	\$21,723	V3

Notes:

- 1) CT = Constant Torque, 150% overload / 60 sec.; VT = Variable Torque (Quadratic Load), 110% overload / 60 sec.
 - 2) "HP" rating based on "average FLA values". Use as a guide only.
 - 3) Motor FLA may vary with speed and manufacturer. ALWAYS compare motor FLA to Nominal AMPS of drive.
 - 4) All 575V drives are non-stocked items. Consult WEG for availability.
 - 5) Maximum 45°C ambient temperature without derating
 - 6) Dimensions are provided for estimating purposes only.
- For other technical data please refer to WEG product manual.

Options and Accessories

Type	Catalog Number	Description	List Price	Multiplier
Communication	CFW-LonWorks® 1	LonWorks Gateway Module - Connects CFW501 or CFW701 RS-485 to LonWorks network	\$1,100	V1
I/O	CCK-01	Relay Output Module for CFW700 and CFW701, 2 Form C Relay Outputs	\$105	V1
Flash Memory	MMF-02	Flash Memory Module for CFW700 and CFW701	\$71	V1
Keypad and Accessories	HMI-03	CFW701 Standard Keypad with USB	\$320	V1
	RHMIF-03	CFW701 Remote Keypad Frame Kit	\$69	V1
	HMID-01	Blank Keypad Cover for Keypad Slot (CFW11, CFW700 & CFW701)	\$54	V1
Remote Keypad Cable	IHM-CAB-RS-1M	3.3 ft (1 meter) Remote Keypad Cable (CFW11 & CFW700)	\$54	V1
	IHM-CAB-RS-2M	6.6 ft (2 meter) Remote Keypad Cable (CFW11 & CFW700)	\$60	V1
	IHM-CAB-RS-3M	9.9 ft (3 meter) Remote Keypad Cable (CFW11 & CFW700)	\$66	V1
	IHM-CAB-RS-5M	16 ft (5 meter) Remote Keypad Cable (CFW11 & CFW700)	\$75	V1
	IHM-CAB-RS-7.5M	25 ft (7.5 meter) Remote Keypad Cable (CFW11 & CFW700)	\$90	V1
	IHM-CAB-RS-10M	33 ft (10 meter) Remote Keypad Cable (CFW11 & CFW700)	\$102	V1
Remote Oper. Station	CSW-SP3PBS	Remote Operator Station-includes 22mm Start PB, Stop PB, 1-NC and 1-NO contact block, 5k-ohm Potentiometer and legends (replaces CFW-REM)	\$460	Z5
	CSW30-SP3PBS	Remote Operator Station-includes 30mm Start PB, Stop PB, 1-NC and 1-NO contact block, 5k-ohm Potentiometer and legends (replaces CFW-REM)	\$535	Z5
Conduit Kit	KN1A-02	Conduit Kit for frame size A with power cables shielding	\$125	V1
	KN1B-02	Conduit Kit for frame size B with power cables shielding	\$125	V1
	KN1C-02	Conduit Kit for frame size C with power cables shielding	\$142	V1
	KN1E-01	Top cover kit for frame size E (105 & 142A)	\$78	V1
	KN1E-02	Top cover kit plus Conduit kit for frame size E (180 & 211A)	\$213	V1
	KIP21D-01	IP21 Kit for Frame size D (top cover) (CFW11 & CFW700)	\$120	V1
Cable Shield Kit	PCSA-01	Power Cables Shielding Kit for frame size A (CFW11 & CFW700)	\$48	V1
	PCSB-01	Power Cables Shielding Kit for frame size B (CFW11 & CFW700)	\$51	V1
	PCSC-01	Power Cables Shielding Kit for frame size C (CFW11 & CFW700)	\$54	V1
	PCSD-01	Power Cables Shielding Kit for frame size D (CFW11 & CFW700)	\$56	V1
	PCSE-01	Power Cables Shielding Kit for frame size E (CFW11 & CFW700)	\$76	V1

Notes:

1) Compatible with CFW501 and CFW701 only.

CFW701

Technical Data

Power Supply	Voltage	Single Phase or Three Phase	200-240 Vac (+10%, -15%)
		Three phase	380-480 Vac, 500-600 Vac (+10%, -15%)
	Frequency	50 / 60Hz +/- 2Hz	
	Displacement Power Factor (Cos)	Greater than 0.98	
Enclosure	Degree of Protection	NEMA 1	
Control	Control Modes	Volts per Hertz (Scalar)	Voltage Vector (VWV)
		Sensorless Vector	Vector with encoder
	Power Output	Sinusoidal PWM (Space Vector Modulation)	
		IGBT Transistors	
	Switching Frequency	1.25, 2.0, 2.5, 5.0 or 10.0 kHz	
	Frequency Range	0-300 Hz in Scalar Mode; 120 Hz in Vector Mode	
	Overload Capacity	CT = Constant Torque, 150% overload / 60 sec. VT = Variable Torque (Quadratic Load), 110% overload / 60 sec.	
Control Inputs	8 programmable isolated digital inputs, 24Vdc logic		
	3 isolated programmable differential analog inputs 11 bit; programmable for current or voltage (0-10V, 4-20mA or 0-20mA)		
	Motor thermistor - PTC/PT100/KTY84		
Control Outputs	2 programmable relay output; NO/NC (Form C); 240Vac, 30Vdc / 0.75 A		
	3 programmable isolated open collector digital outputs; 24Vdc, 80mA max.		
	2 non-isolated programmable analog outputs 10 bit; programmable for current or voltage (0-10V, 4-20mA or 0-20mA)		
Communication	Serial	Optional RS-232 serial interface, RS-485 with external RS-232/485 converter	
	Field Bus	Isolated RS-485 / Modbus RTU (standard)	
		CAN interface module (CANopen/DeviceNet)	
		Profibus DP interface module	
Safety	Protections	Motor over current	DC link over voltage
		Motor overload	DC link under voltage
		Output phase-to-phase short circuit	Drive over temperature
		Output phase-to-ground short circuit	External fault
		Programming error	
Ambient	Temperature	14 - 122°F (50°C), up to 140°F (60°C) with 2% / 1.8°F (1°C) output current derating	
	Humidity	5-90% Non Condensing	
	Altitude	0-3300 ft (1000m), up to 13,200 ft (4000m) with 1% output current derating per 330ft (100m) above 3300 ft (1000m).	
Regulatory / Safety Conformance	IEC 60146	Semiconductor converters	
	UL 508 C	Power Conversion Equipment	
	UL 840	Insulation coordination including clearances and creepage distances for electrical equipment.	
	UL 94	Plenum Rated - Meets UL94 Standard for Tests for Flammability	
	EN 50178	Electronic equipment for use in power installations	
	EN 61800-2	General requirements adjustable speed electrical power drive systems	
	EN 61800-3	EMC product standard including specific test methods adjustable speed electrical power drive systems	
	EN 61800-5-1	Safety requirements adjustable speed electrical power drive systems	
	EN 60204-1	Safety of machinery. Electrical equipment of machines. Part 1: General requirements.	
	RoHS and WEEE Guidelines		
Approvals	UL, cUL, CE, C-Tick, GOST, IRAM		
Special Functions	Linear and "S" ramp accel and decel, local/remote control, FWD/REV selection, DC braking, manual and auto torque boost, motor slip compensation, electronic pot, two skip frequencies, maximum and minimum adjustable frequency limits, adjustable output current, PID Controller		
Keypad	Backlit LCD display with 9 operator keys, remote mounting option available		
	Readouts for: output frequency (Hz), output current (A), output voltage (V), motor torque (%) in vector mode, DC bus voltage (V), value proportional to frequency (Ex.: RPM), heatsink temperature, fault and status messages		



NON-STOCK (call for lead time)

100% Braking Torque at 20% Duty Cycle (12 Seconds Max. Braking Time) NEMA 1 Enclosure

Motor Voltage	Motor HP ¹	CFW11 Catalog Number	Braking Resistor Catalog Number ²	Rated Ohms	Rated Watts	Dimensions (in.) HxWxD ³	List Price	Multiplier
230 Vac	1 1/2	CFW701A06POS2DBN1C3	CFDB5-125-224	125	224	5 x 12 x 5	\$520	V1
	2	CFW701A07POS2DBN1C3	CFDB5-95-298	95	298	5 x 12 x 7	\$749	V1
	2	CFW701A07POT2DBN1C3	CFDB5-95-298	95	298	5 x 12 x 7	\$749	V1
	3	CFW701A10POS2DBN1C3	CFDB5-63-448	63	448	5 x 12 x 7	\$749	V1
	3	CFW701A10POT2DBN1C3	CFDB5-63-448	63	448	5 x 12 x 7	\$749	V1
	5	CFW701A13POT2DBN1C3	CFDB5-38-746	38	746	5 x 12 x 10	\$941	V1
	5	CFW701A16POT2DBN1C3	CFDB5-38-746	38	746	5 x 12 x 10	\$941	V1
	7 1/2	CFW701B24POT2DBN1C3	CFDB5-26-1119	26	1,119	5 x 12 x 13	\$1,130	V1
	10	CFW701B28POT2DBN1C3	CFDB5-19-1492	19	1,492	5 x 12 x 16	\$1,322	V1
	10	CFW701B33P5T2DBN1C3	CFDB5-19-1492	19	1,492	5 x 12 x 16	\$1,322	V1
	15	CFW701C45POT2DBN1C3	CFDB5-13-2238	12.6	2,238	5 x 19 x 10	\$1,644	V1
	20	CFW701C54POT2DBN1C3	CFDB5-10-2984	9.6	2,984	5 x 19 x 10	\$1,644	V1
	25	CFW701C70POT2DBN1C3	CFDB5-8-3730	7.5	3,730	5 x 19 x 13	\$1,997	V1
	30	CFW701D86POT2DBN1C3	CFDB5-7-4476	6.3	4,476	5 x 26.5 x 13	\$2,588	V1
	40	CFW701D0105T2DBN1C3	CFDB5-5-5968	4.9	5,968	5 x 26.5 x 16	\$3,269	V1
	50	NA	CFDB5-4-7460	3.9	7,460	10 x 28 x 10	\$3,820	V1
	60	NA	CFDB5-4-8952	3.3	8,952	10 x 28 x 10	\$3,820	V1
	75	NA	CFDB5-3-11190	2.7	11,190	10 x 28 x 13	\$5,622	V1
460 Vac	2	CFW701A03P6T4DBN1C3	CFDB5-375-298	375	298	5 x 12 x 7	\$749	V1
	3	CFW701A05POT4DBN1C3	CFDB5-250-448	250	448	5 x 12 x 7	\$749	V1
	5	CFW701A07POT4DBN1C3	CFDB5-150-746	150	746	5 x 12 x 10	\$941	V1
	7 1/2	CFW701A10POT4DBN1C3	CFDB5-100-1119	100	1,119	5 x 12 x 13	\$1,130	V1
	10	CFW701A13P5T4DBN1C3	CFDB5-75-1492	75	1,492	5 x 12 x 16	\$1,322	V1
	10	CFW701B17POT4DBN1C3	CFDB5-75-1492	75	1,492	5 x 12 x 16	\$1,322	V1
	15	CFW701B24POT4DBN1C3	CFDB5-50-2238	50	2,238	5 x 19 x 13	\$1,820	V1
	20	CFW701B31POT4DBN1C3	CFDB5-38-2984	38	2,984	5 x 19 x 16	\$2,201	V1
	25	CFW701C38POT4DBN1C3	CFDB5-30-3730	30	3,730	5 x 26.5 x 13	\$2,511	V1
	30	CFW701C45POT4DBN1C3	CFDB5-25-4476	25	4,476	5 x 26.5 x 13	\$2,511	V1
	40	CFW701C58P5T4DBN1C3	CFDB5-19-5968	19	5,968	5 x 26.5 x 16	\$2,938	V1
	50/60	CFW701D70P5T4DBN1C3	CFDB2-15-8952	15	8,952	10 x 28 x 13	\$4,328	V1
	75	CFW701D88POT4DBN1C3	CFDB5-10-11190	10	11,190	10 x 28 x 16	\$5,659	V1
	75	NA	CFDB5-10-11190	10	11,190	10 x 28 x 16	\$5,659	V1
	100/125	NA	CFDB5-8-18650	8	18,650	24 x 30 x 18	\$9,560	V1
	150	NA	CFDB5-5-22380	5	22,380	24 x 30 x 18	\$11,854	V1
	175	NA	CFDB5-5-29840	5	29,840	24 x 30 x 18	\$11,854	V1

Notes:

1) Dimensions are provided for estimating purposes only.

General Information

CFW100

CFW300

CFW500

CFW700

CFW701

CFW11M

PUMP GENIUS

CFW700 SINGLE PHASE

CFW08 WASH

CFW501

CFW701

HVV701

SSW05

SSW07

SSW06

EDP11 EDP700

GPH2

TPH2

Variable Frequency Drives



Line and Load Reactors for CFW11, CFW700 and CFW701

NON-STOCK (call for lead time)

100% Braking Torque at 50% Duty Cycle (30 Seconds Max. Braking Time) NEMA1 Enclosure

Motor Voltage	Motor HP ¹	CFW701 Catalog Number	Braking Resistor Catalog Number ²	Rated Ohms	Rated Watts	Dimensions (in.) HxWxD ³	List Price	Multiplier
230 Vac	1 1/2	CFW701A06P0S2DBN1C3	CFDB5-125-560	125	560	5 x 12 x 10	\$941	V1
	2	CFW701A07P0S2DBN1C3	CFDB5-95-746	95	746	5 x 12 x 10	\$941	V1
	2	CFW701A07P0T2DBN1C3	CFDB5-95-746	95	746	5 x 12 x 10	\$941	V1
	3	CFW701A10P0S2DBN1C3	CFDB5-63-1119	63	1,119	5 x 12 x 10	\$1,130	V1
	3	CFW701A10P0T2DBN1C3	CFDB5-63-1119	63	1,119	5 x 12 x 10	\$1,130	V1
	5	CFW701A13P0T2DBN1C3	CFDB5-38-1865	38	1,865	5 x 19 x 13	\$1,820	V1
	5	CFW701A16P0T2DBN1C3	CFDB5-38-1865	38	1,865	5 x 19 x 13	\$1,820	V1
	7 1/2	CFW701B24P0T2DBN1C3	CFDB5-26-2798	26	2,798	5 x 26.5 x 13	\$2,511	V1
	10	CFW701B28P0T2DBN1C3	CFDB5-19-3730	19	3,730	5 x 26.5 x 13	\$2,511	V1
	10	CFW701B33P5T2DBN1C3	CFDB5-19-3730	19	3,730	5 x 26.5 x 13	\$2,511	V1
	15	CFW701C45P0T2DBN1C3	CFDB5-13-5595	12.6	5,595	5 x 26.5 x 16	\$2,938	V1
	20	CFW701C54P0T2DBN1C3	CFDB5-10-7460	9.6	7,460	10 x 28 x 13	\$4,663	V1
	25	CFW701C70P0T2DBN1C3	CFDB5-8-9325	7.5	9,325	10 x 28 x 13	\$4,663	V1
	30	CFW701D86P0T2DBN1C3	CFDB5-7-11190	6.3	11,190	10 x 28 x 16	\$5,254	V1
	40	CFW701D0105T2DBN1C3	CFDB5-5-14920	4.9	14,920	24 x 30 x 18	\$6,762	V1
	460 Vac	2	CFW701A03P6T4DBN1C3	CFDB5-375-746	375	746	5 x 12 x 13	\$1,130
3		CFW701A05P0T4DBN1C3	CFDB5-250-1119	250	1,119	5 x 12 x 16	\$1,511	V1
5		CFW701A07P0T4DBN1C3	CFDB5-150-1865	150	1,865	5 x 19 x 13	\$1,703	V1
7 1/2		CFW701A10P0T4DBN1C3	CFDB5-100-2798	100	2,798	5 x 19 x 16	\$1,892	V1
10		CFW701A13P5T4DBN1C3	CFDB5-75-3730	75	3,730	5 x 26.5 x 16	\$2,938	V1
10		CFW701B17P0T4DBN1C3	CFDB5-75-3730	75	3,730	5 x 26.5 x 16	\$2,938	V1
15		CFW701B24P0T4DBN1C3	CFDB5-50-5595	50	5,595	10 x 28 x 13	\$4,254	V1
20		CFW701B31P0T4DBN1C3	CFDB5-38-7460	38	7,460	10 x 28 x 13	\$4,254	V1
25		CFW701C38P0T4DBN1C3	CFDB5-30-9325	30	9,325	10 x 28 x 16	\$4,715	V1
30		CFW701C45P0T4DBN1C3	CFDB5-25-11190	25	11,190	10 x 28 x 16	\$5,071	V1
40		CFW701C58P5T4DBN1C3	CFDB5-19-14920	19	14,920	24 x 30 x 18	\$8,858	V1
50/60		CFW701D70P5T4DBN1C3	CFDB2-15-22380	15	22,380	24 x 30 x 18	\$10,176	V1
75		CFW701D88P0T4DBN1C3	CFDB5-10-27975	10	27,975	32 x 30 x 18	\$14,625	V1

Notes:

- 1) "HP" rating based on "average FLA values". Use as a guide only.
- 2) Dynamic Braking Resistors are non-stock items. Consult WEG for availability.
- 3) Dimensions are provided for estimating purposes only.



Variable Frequency Drives

Line and Load Reactors for CFW11, CFW700 and CFW701

NON-STOCK (call for lead time)

3% Z (Impedance) – NEMA 1 Enclosure

Motor Voltage	Motor HP	Reactor Amps	Catalog Number	Dimensions (in.) ¹ HxWxD	Approx. Weight (lbs.) ¹	List Price	Multiplier
230 Vac	Input Power Supply: Three-Phase 230 Vac						
	3	12	LRW012D3N1	8 x 8 x 6	16	\$436	V1
	5	18	LRW018D3N1	8 x 8 x 6	16	\$512	V1
	7 1/2	25	LRW025D3N1	13 x 13.3 x 13.1	42	\$590	V1
	10	35	LRW035D3N1	13 x 13.3 x 13.1	45	\$634	V1
	15	45	LRW045D3N1	13 x 13.3 x 13.1	54	\$756	V1
	20	55	LRW055D3N1	13 x 13.3 x 13.1	55	\$890	V1
	25 / 30	80	LRW080D3N1	13 x 13.3 x 13.1	74	\$905	V1
	40	100	LRW100D3N1	13 x 13.3 x 13.1	78	\$1,086	V1
	50	130	LRW130D3N1	13 x 13.3 x 13.1	60	\$1,175	V1
	60	160	LRW160D3N1	13 x 13.3 x 13.1	71	\$1,424	V1
75	200	LRW200D3N1	13 x 13.3 x 13.1	79	\$1,488	V1	
460 Vac	Input Power Supply: Three-Phase 460 Vac						
	1 1/2	2	LRW002G3N1	8 x 8 x 6	11	\$387	V1
	2, 3	4	LRW004G3N1	8 x 8 x 6	11	\$394	V1
	5	8	LRW008G3N1	8 x 8 x 6	14	\$415	V1
	7 1/2	12	LRW012G3N1	8 x 8 x 6	16	\$452	V1
	10	18	LRW018G3N1	8 x 8 x 6	16	\$519	V1
	15	25	LRW025G3N1	13 x 13.3 x 13.1	42	\$601	V1
	20 / 25	35	LRW035G3N1	13 x 13.3 x 13.1	45	\$715	V1
	30	45	LRW045G3N1	13 x 13.3 x 13.1	54	\$841	V1
	40	55	LRW055G3N1	13 x 13.3 x 13.1	55	\$987	V1
	50 / 60	80	LRW080G3N1	13 x 13.3 x 13.1	60	\$1,179	V1
	75	100	LRW100G3N1	13 x 13.3 x 13.1	71	\$1,450	V1
	100	130	LRW130G3N1	13 x 13.3 x 13.1	74	\$1,750	V1
	125	160	LRW160G3N1	13 x 13.3 x 13.1	48	\$2,060	V1
	150	200	LRW200G3N1	13 x 13.3 x 13.1	79	\$2,400	V1
	200	250	LRW250G3N1	24 x 18.4 x 16.8	99	\$2,990	V1
	250	320	LRW320G3N1	24 x 18.4 x 16.8	155	\$3,700	V1
	300	400	LRW400G3N1	24 x 18.4 x 16.8	155	\$4,962	V1
	350 / 400	500	LRW500G3N1	47 x 26.5 x 24.9	165	\$6,446	V1
450 / 500	600	LRW600G3N1	47 x 26.5 x 24.9	205	\$7,950	V1	
750 / 800	1000	LRW1000G3N1	Consult Factory			\$9,788	V1

Notes:

1) Dimensions and weights are provided for estimating purposes only.

General Information

CFW100

CFW300

CFW500

CFW700

CFW701

CFW11

CFW11M

PUMP GENIUS

CFW700 SINGLE PHASE

CFW08 WASH

CFW501

CFW701

HVW701

SSW05

SSW07

SSW06

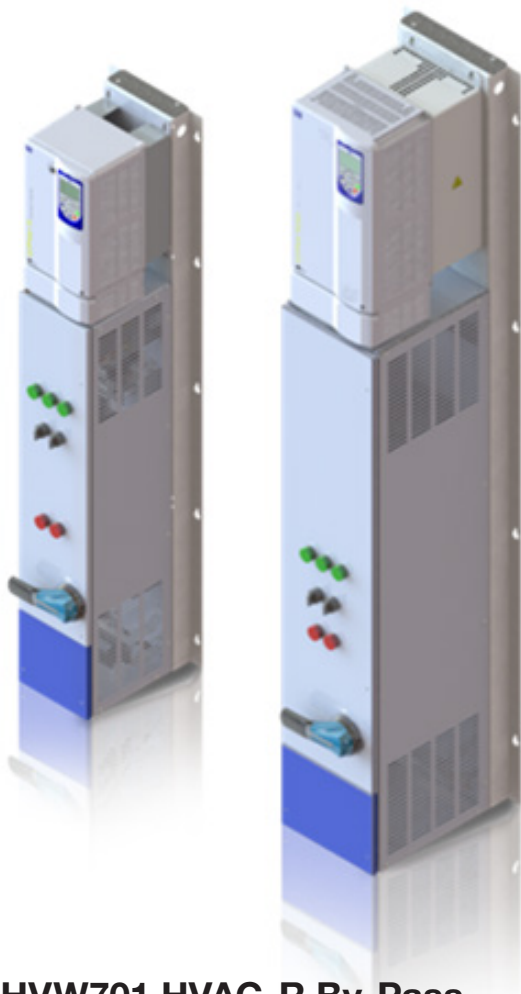
EDP11 EDP700

GPH2

TPH2

HVW701 HVAC-R By-Pass

The WEG HVW701 HVAC-R By-Pass system is comprised of the CFW701 Variable Frequency Drive with integral By-Pass. It is designed for heating, ventilation, air conditioning and refrigeration systems where continued operation is critical and space is at a premium. The HVW701 is designed to provide reliable and energy-efficient control for applications in office buildings, hospitals, airports, hotels, shopping centers or other similar facilities.



HVW701 HVAC-R By-Pass

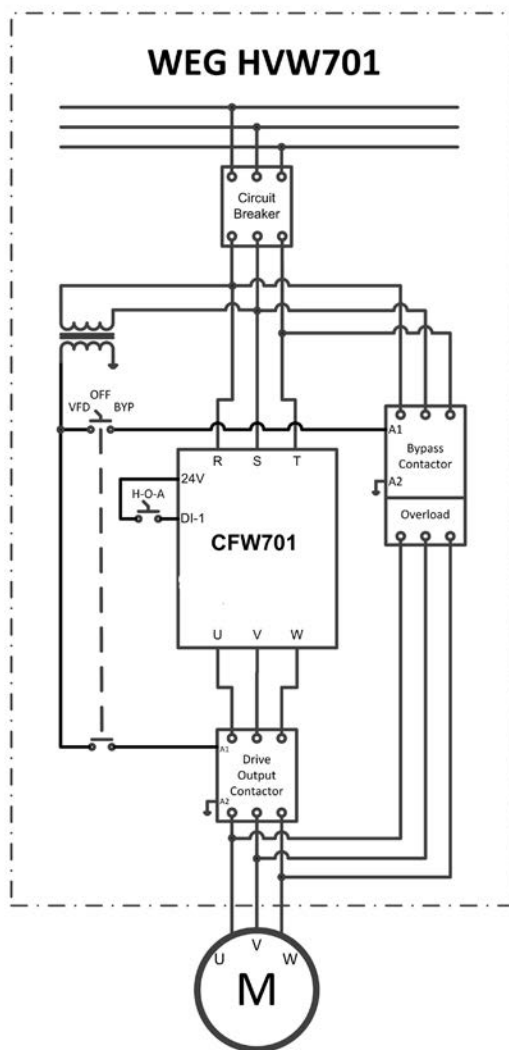
Available Configurations

Frame A, B and C

- NEMA 1 with 3-Contactor By-Pass
- NEMA 1 with 2-Contactor By-Pass
- NEMA 1 with Circuit Breaker Only
- NEMA 1 with 3-Contactor By-Pass and 65kAIC CB
- NEMA 1 with 2-Contactor By-Pass and 65kAIC CB
- NEMA 1 with Circuit Breaker Only and 65kAIC CB

Frame D and E

- NEMA 12 or 3R with 3-Contactor By-Pass
- NEMA 12 or 3R with 2-Contactor By-Pass
- NEMA 12 or 3R with Circuit Breaker Only



2-Contactor By-Pass Example

Variable Frequency Drives



HW701

HVAC Drive Panel - NEMA 1 Enclosure - 2-Contactor Bypass

Motor Voltage	ND / VT ¹		Catalog Number	Braking Transistor	Drive Frame Size	Enclosure Frame Size ⁴	Dimensions (in.) HxWxD ⁶	Approx. Weight (lbs.) ⁶	List Price	Multiplier	
	Motor HP ²	Drive Amps ³									
230 Vac	Input Power Supply: Three-Phase 220-240 Vac with Dynamic Braking Transistor										
	2	7.0	HVW701A007DN01200000	Yes	A	HV1	34.1 x 7.8 x 15	75	\$2,851	V3	
	3	10	HVW701A010DN01200000	Yes	A	HV1	34.1 x 7.8 x 15	75	\$2,859	V3	
	5	13	HVW701A013DN01200000	Yes	A	HV1	34.1 x 7.8 x 15	75	\$2,888	V3	
	5	16	HVW701A016DN01200000	Yes	A	HV1	34.1 x 7.8 x 15	75	\$2,920	V3	
	7 1/2	24	HVW701B024DN01200000	Yes	B	HV1	34.1 x 7.8 x 15	87	\$3,247	V3	
	10	28	HVW701B028DN01200000	Yes	B	HV1	34.1 x 7.8 x 15	87	\$3,556	V3	
	10	33.5	HVW701B033DN01200000	Yes	B	HV1	34.1 x 7.8 x 15	87	\$3,832	V3	
	15	45	HVW701C045DN01200000	Yes	C	HV2	43.9 x 9 x 16	133	\$4,185	V3	
	20	54	HVW701C054DN01200000	Yes	C	HV2	43.9 x 9 x 16	133	\$5,280	V3	
	25	70	HVW701C070DN01200000	Yes	C	HV2	43.9 x 9 x 16	133	\$6,349	V3	
	30	86	HVW701D086DN01200000	Yes	D	ED3	36 x 30 x 14	230	\$7,422	V3	
	40	105	HVW701D105DN01200000	Yes	D	ED3	36 x 30 x 14	240	\$11,404	V3	
	Input Power Supply: Three-Phase 220-240 Vac without Dynamic Braking Transistor										
	50	142	HVW701E142DN01200000	No	E ⁵	ED4	48 x 30 x 17.5	300	\$14,011	V3	
	60	180	HVW701E180DN01200000	No	E ⁵	ED4	48 x 30 x 17.5	300	\$14,344	V3	
	75	211	HVW701E211DN01200000	No	E ⁵	ED4	48 x 30 x 17.5	300	\$23,057	V3	
	460 Vac	Input Power Supply: Three-Phase 460-480 Vac with Dynamic Braking Transistor									
2		3.6	HVW701A003GN01200000	Yes	A	HV1	36 x 7.8 x 15	75	\$2,576	V3	
3		5.0	HVW701A005GN01200000	Yes	A	HV1	36 x 7.8 x 15	75	\$2,584	V3	
5		7.0	HVW701A007GN01200000	Yes	A	HV1	36 x 7.8 x 15	75	\$2,759	V3	
7 1/2		10	HVW701A010GN01200000	Yes	A	HV1	36 x 7.8 x 15	75	\$3,120	V3	
10		13.5	HVW701A013GN01200000	Yes	A	HV1	36 x 7.8 x 15	75	\$3,196	V3	
10		17	HVW701B017GN01200000	Yes	B	HV1	36 x 7.8 x 15	87	\$3,280	V3	
15		24	HVW701B024GN01200000	Yes	B	HV1	36 x 7.8 x 15	87	\$3,868	V3	
20		31	HVW701B031GN01200000	Yes	B	HV1	36 x 7.8 x 15	87	\$4,557	V3	
25		38	HVW701C038GN01200000	Yes	C	HV2	43.9 x 9 x 16	133	\$5,433	V3	
30		45	HVW701C045GN01200000	Yes	C	HV2	43.9 x 9 x 16	133	\$6,134	V3	
40		58.5	HVW701C058GN01200000	Yes	C	HV2	43.9 x 9 x 16	133	\$6,286	V3	
50/60		70.5	HVW701D070GN01200000	Yes	D	ED4	36 x 30 x 14	230	\$8,118	V3	
75		88	HVW701D088GN01200000	Yes	D	ED4	36 x 30 x 14	240	\$11,587	V3	
Input Power Supply: Three-Phase 460-480 Vac without Dynamic Braking Transistor											
75		105	HVW701E105GN01200000	No	E ⁵	ED5	48 x 30 x 17.5	300	\$22,622	V3	
100/125		142	HVW701E142GN01200000	No	E ⁵	ED5	48 x 30 x 17.5	300	\$25,373	V3	
150		180	HVW701E180GN01200000	No	E ⁵	ED5	48 x 30 x 17.5	300	\$30,944	V3	
175	211	HVW701E211GN01200000	No	E ⁵	ED5	48 x 30 x 17.5	300	\$34,303	V3		

Notes:

- 1) CT = Constant Torque, 150% overload / 60 sec.; VT = Variable Torque (Quadratic Load), 110% overload / 60 sec.
- 2) "HP" rating based on "average FLA values". Use as a guide only.
- 3) Motor FLA may vary with speed and manufacturer. ALWAYS compare motor FLA to Nominal AMPS of drive.
- 4) ED3 and ED4 enclosures are non-ventilated and wall-mounted
- 5) Maximum 45°C ambient temperature without derating
- 6) Dimensions and weights are for estimating purposes only. Only use "AS BUILT" drawings for construction.

For other technical data please refer to WEG product manual.

HVAC Drive Panel - NEMA 1 Enclosure - 2-Contactor Bypass with LonWorks® Communication Module

Motor Voltage	ND / VT ¹		Catalog Number	Braking Transistor	Drive Frame Size	Enclosure Frame Size ⁴	Dimensions (in.) HxWxD ⁶	Approx. Weight (lbs.) ⁶	List Price	Multiplier	
	Motor HP ²	Drive Amps ³									
230 Vac	Input Power Supply: Three-Phase 220-240 Vac with Dynamic Braking Transistor										
	2	7.0	HVW701A007DN01200001	Yes	A	HV1	36 x 7.8 x 15	75	\$3,951	V3	
	3	10	HVW701A010DN01200001	Yes	A	HV1	36 x 7.8 x 15	75	\$3,959	V3	
	5	13	HVW701A013DN01200001	Yes	A	HV1	36 x 7.8 x 15	75	\$3,988	V3	
	5	16	HVW701A016DN01200001	Yes	A	HV1	36 x 7.8 x 15	75	\$4,020	V3	
	7 1/2	24	HVW701B024DN01200001	Yes	B	HV1	36 x 7.8 x 15	87	\$4,347	V3	
	10	28	HVW701B028DN01200001	Yes	B	HV1	36 x 7.8 x 15	87	\$4,656	V3	
	10	33.5	HVW701B033DN01200001	Yes	B	HV1	36 x 7.8 x 15	87	\$4,932	V3	
	15	45	HVW701C045DN01200001	Yes	C	HV2	43.9 x 9 x 16	133	\$5,285	V3	
	20	54	HVW701C054DN01200001	Yes	C	HV2	43.9 x 9 x 16	133	\$6,380	V3	
	25	70	HVW701C070DN01200001	Yes	C	HV2	43.9 x 9 x 16	133	\$7,449	V3	
	30	86	HVW701D086DN01200001	Yes	D	ED3	36 x 30 x 14	230	\$8,522	V3	
	40	105	HVW701D105DN01200001	Yes	D	ED3	36 x 30 x 14	240	\$12,504	V3	
	Input Power Supply: Three-Phase 220-240 Vac without Dynamic Braking Transistor										
	50	142	HVW701E142DN01200001	No	E ⁵	ED4	48 x 30 x 17.5	300	\$15,111	V3	
	60	180	HVW701E180DN01200001	No	E ⁵	ED4	48 x 30 x 17.5	300	\$15,444	V3	
	75	211	HVW701E211DN01200001	No	E ⁵	ED4	48 x 30 x 17.5	300	\$24,157	V3	
	460 Vac	Input Power Supply: Three-Phase 460-480 Vac with Dynamic Braking Transistor									
		2	3.6	HVW701A003GN01200001	Yes	A	HV1	36 x 7.8 x 15	75	\$3,676	V3
3		5.0	HVW701A005GN01200001	Yes	A	HV1	36 x 7.8 x 15	75	\$3,684	V3	
5		7.0	HVW701A007GN01200001	Yes	A	HV1	36 x 7.8 x 15	75	\$3,859	V3	
7 1/2		10	HVW701A010GN01200001	Yes	A	HV1	36 x 7.8 x 15	75	\$4,220	V3	
10		13.5	HVW701A013GN01200001	Yes	A	HV1	36 x 7.8 x 15	75	\$4,296	V3	
10		17	HVW701B017GN01200001	Yes	B	HV1	36 x 7.8 x 15	87	\$4,380	V3	
15		24	HVW701B024GN01200001	Yes	B	HV1	36 x 7.8 x 15	87	\$4,968	V3	
20		31	HVW701B031GN01200001	Yes	B	HV1	36 x 7.8 x 15	87	\$5,657	V3	
25		38	HVW701C038GN01200001	Yes	C	HV2	43.9 x 9 x 16	133	\$6,533	V3	
30		45	HVW701C045GN01200001	Yes	C	HV2	43.9 x 9 x 16	133	\$7,234	V3	
40		58.5	HVW701C058GN01200001	Yes	C	HV2	43.9 x 9 x 16	133	\$7,386	V3	
50/60		70.5	HVW701D070GN01200001	Yes	D	ED4	36 x 30 x 14	230	\$9,218	V3	
75		88	HVW701D088GN01200001	Yes	D	ED4	36 x 30 x 14	240	\$12,687	V3	
Input Power Supply: Three-Phase 460-480 Vac without Dynamic Braking Transistor											
75		105	HVW701E105GN01200001	No	E ⁵	ED5	48 x 30 x 17.5	300	\$23,722	V3	
100/125		142	HVW701E142GN01200001	No	E ⁵	ED5	48 x 30 x 17.5	300	\$26,473	V3	
150		180	HVW701E180GN01200001	No	E ⁵	ED5	48 x 30 x 17.5	300	\$32,044	V3	
175		211	HVW701E211GN01200001	No	E ⁵	ED5	48 x 30 x 17.5	300	\$35,403	V3	

Notes:

- 1) VT = Variable Torque (Quadratic Load), 110% overload / 60 sec.
- 2) "HP" rating based on "average FLA values". Use as a guide only.
- 3) Motor FLA may vary with speed and manufacturer. ALWAYS compare motor FLA to Nominal AMPS of drive.
- 4) HV1 and HV2 enclosures are NEMA Type 1 ventilated and wall-mounted; ED3 and ED4 are non-ventilated and wall-mounted.
- 5) Maximum 45°C ambient temperature without derating
- 6) Dimensions and weights are for estimating purposes only. Only use "AS BUILT" drawings for construction. For other technical data please refer to WEG product manual.

Variable Frequency Drives



HW701

HVAC Drive Panel - NEMA 1 Enclosure - 3-Contactor Bypass

Motor Voltage	ND / VT ¹		Catalog Number	Braking Transistor	Drive Frame Size	Enclosure Frame	Dimensions (in.) HxWxD ⁶	Approx. Weight (lbs.) ⁶	List Price	Multiplier	
	Motor HP ²	Drive Amps ³									
230 Vac	Input Power Supply: Three-Phase 220-240 Vac with Dynamic Braking Transistor										
	2	7.0	HVW701A007DN01300000	Yes	A	HV1	36 x 7.8 x 15	84	\$2,877	V3	
	3	10	HVW701A010DN01300000	Yes	A	HV1	36 x 7.8 x 15	84	\$2,886	V3	
	5	13	HVW701A013DN01300000	Yes	A	HV1	36 x 7.8 x 15	84	\$2,917	V3	
	5	16	HVW701A016DN01300000	Yes	A	HV1	36 x 7.8 x 15	84	\$2,948	V3	
	7 1/2	24	HVW701B024DN01300000	Yes	B	HV1	36 x 7.8 x 15	97	\$3,284	V3	
	10	28	HVW701B028DN01300000	Yes	B	HV1	36 x 7.8 x 15	97	\$3,607	V3	
	10	33.5	HVW701B033DN01300000	Yes	B	HV1	36 x 7.8 x 15	97	\$3,892	V3	
	15	45	HVW701C045DN01300000	Yes	C	HV2	43.9 x 9 x 16	150	\$4,298	V3	
	20	54	HVW701C054DN01300000	Yes	C	HV2	43.9 x 9 x 16	150	\$5,423	V3	
	25	70	HVW701C070DN01300000	Yes	C	HV2	43.9 x 9 x 16	150	\$6,512	V3	
	30	86	HVW701D086DN01300000	Yes	D	ED3	36 x 30 x 14	239	\$7,638	V3	
	40	105	HVW701D105DN01300000	Yes	D	ED3	36 x 30 x 14	248	\$11,718	V3	
	Input Power Supply: Three-Phase 220-240 Vac without Dynamic Braking Transistor										
	50	142	HVW701E142DN01300000	No	E ⁵	ED4	48 x 30 x 17.5	300	\$14,655	V3	
	60	180	HVW701E180DN01300000	No	E ⁵	ED4	48 x 30 x 17.5	300	\$15,026	V3	
	75	211	HVW701E211DN01300000	No	E ⁵	ED4	48 x 30 x 17.5	300	\$24,293	V3	
	460 Vac	Input Power Supply: Three-Phase 460-480 Vac with Dynamic Braking Transistor									
2		3.6	HVW701A003GN01300000	Yes	A	HV1	36 x 7.8 x 15	84	\$2,600	V3	
3		5.0	HVW701A005GN01300000	Yes	A	HV1	36 x 7.8 x 15	84	\$2,608	V3	
5		7.0	HVW701A007GN01300000	Yes	A	HV1	36 x 7.8 x 15	84	\$2,784	V3	
7 1/2		10	HVW701A010GN01300000	Yes	A	HV1	36 x 7.8 x 15	84	\$3,150	V3	
10		13.5	HVW701A013GN01300000	Yes	A	HV1	36 x 7.8 x 15	84	\$3,223	V3	
10		17	HVW701B017GN01300000	Yes	B	HV1	36 x 7.8 x 15	97	\$3,306	V3	
15		24	HVW701B024GN01300000	Yes	B	HV1	36 x 7.8 x 15	97	\$3,904	V3	
20		31	HVW701B031GN01300000	Yes	B	HV1	36 x 7.8 x 15	97	\$4,606	V3	
25		38	HVW701C038GN01300000	Yes	C	HV2	43.9 x 9 x 16	150	\$5,491	V3	
30		45	HVW701C045GN01300000	Yes	C	HV2	43.9 x 9 x 16	150	\$6,245	V3	
40		58.5	HVW701C058GN01300000	Yes	C	HV2	43.9 x 9 x 16	150	\$6,415	V3	
50/60		70.5	HVW701D070GN01300000	Yes	D	ED4	36 x 30 x 14	239	\$8,283	V3	
75		88	HVW701D088GN01300000	Yes	D	ED4	36 x 30 x 14	248	\$11,859	V3	
Input Power Supply: Three-Phase 460-480 Vac without Dynamic Braking Transistor											
75		105	HVW701E105GN01300000	No	E ⁵	ED5	48 x 30 x 17.5	300	\$23,147	V3	
100/125		142	HVW701E142GN01300000	No	E ⁵	ED5	48 x 30 x 17.5	300	\$26,501	V3	
150		180	HVW701E180GN01300000	No	E ⁵	ED5	48 x 30 x 17.5	300	\$32,313	V3	
175	211	HVW701E211GN01300000	No	E ⁵	ED5	48 x 30 x 17.5	300	\$36,181	V3		

Notes:

- 1) VT = Variable Torque (Quadratic Load), 110% overload / 60 sec.
- 2) "HP" rating based on "average FLA values". Use as a guide only.
- 3) Motor FLA may vary with speed and manufacturer. ALWAYS compare motor FLA to Nominal AMPS of drive.
- 4) HV1 and HV2 enclosures are NEMA Type 1 ventilated and wall-mounted; ED3 and ED4 are non-ventilated and wall-mounted.
- 5) Maximum 45°C ambient temperature without derating
- 6) Dimensions and weights are for estimating purposes only. Only use "AS BUILT" drawings for construction. For other technical data please refer to WEG product manual.

HVAC Drive Panel - NEMA 1 Enclosure - 3-Contactor Bypass with LonWorks® Communication Module

Motor Voltage	ND / VT ¹		Catalog Number	Braking Transistor	Drive Frame Size	Enclosure Frame	Dimensions (in.) HxWxD ⁶	Approx. Weight (lbs.) ⁶	List Price	Multiplier	
	Motor HP ²	Drive Amps ³									
230 Vac	Input Power Supply: Three-Phase 220-240 Vac with Dynamic Braking Transistor										
	2	7.0	HVW701A007DN01300001	Yes	A	HV1	36 x 7.8 x 15	84	\$3,977	V3	
	3	10	HVW701A010DN01300001	Yes	A	HV1	36 x 7.8 x 15	84	\$3,986	V3	
	5	13	HVW701A013DN01300001	Yes	A	HV1	36 x 7.8 x 15	84	\$4,017	V3	
	5	16	HVW701A016DN01300001	Yes	A	HV1	36 x 7.8 x 15	84	\$4,048	V3	
	7 1/2	24	HVW701B024DN01300001	Yes	B	HV1	36 x 7.8 x 15	97	\$4,384	V3	
	10	28	HVW701B028DN01300001	Yes	B	HV1	36 x 7.8 x 15	97	\$4,707	V3	
	10	33.5	HVW701B033DN01300001	Yes	B	HV1	36 x 7.8 x 15	97	\$4,992	V3	
	15	45	HVW701C045DN01300001	Yes	C	HV2	43.9 x 9 x 16	150	\$5,398	V3	
	20	54	HVW701C054DN01300001	Yes	C	HV2	43.9 x 9 x 16	150	\$6,523	V3	
	25	70	HVW701C070DN01300001	Yes	C	HV2	43.9 x 9 x 16	150	\$7,612	V3	
	30	86	HVW701D086DN01300001	Yes	D	ED3	36 x 30 x 14	239	\$8,738	V3	
	40	105	HVW701D105DN01300001	Yes	D	ED3	36 x 30 x 14	248	\$12,818	V3	
	Input Power Supply: Three-Phase 220-240 Vac without Dynamic Braking Transistor										
	50	142	HVW701E142DN01300001	No	E ⁵	ED4	48 x 30 x 17.5	300	\$15,755	V3	
	60	180	HVW701E180DN01300001	No	E ⁵	ED4	48 x 30 x 17.5	300	\$16,126	V3	
	75	211	HVW701E211DN01300001	No	E ⁵	ED4	48 x 30 x 17.5	300	\$25,393	V3	
	460 Vac	Input Power Supply: Three-Phase 460-480 Vac with Dynamic Braking Transistor									
2		3.6	HVW701A003GN01300001	Yes	A	HV1	36 x 7.8 x 15	84	\$3,700	V3	
3		5.0	HVW701A005GN01300001	Yes	A	HV1	36 x 7.8 x 15	84	\$3,708	V3	
5		7.0	HVW701A007GN01300001	Yes	A	HV1	36 x 7.8 x 15	84	\$3,884	V3	
7 1/2		10	HVW701A010GN01300001	Yes	A	HV1	36 x 7.8 x 15	84	\$4,250	V3	
10		13.5	HVW701A013GN01300001	Yes	A	HV1	36 x 7.8 x 15	84	\$4,323	V3	
10		17	HVW701B017GN01300001	Yes	B	HV1	36 x 7.8 x 15	97	\$4,406	V3	
15		24	HVW701B024GN01300001	Yes	B	HV1	36 x 7.8 x 15	97	\$5,004	V3	
20		31	HVW701B031GN01300001	Yes	B	HV1	36 x 7.8 x 15	97	\$5,706	V3	
25		38	HVW701C038GN01300001	Yes	C	HV2	43.9 x 9 x 16	150	\$6,591	V3	
30		45	HVW701C045GN01300001	Yes	C	HV2	43.9 x 9 x 16	150	\$7,345	V3	
40		58.5	HVW701C058GN01300001	Yes	C	HV2	43.9 x 9 x 16	150	\$7,515	V3	
50/60		70.5	HVW701D070GN01300001	Yes	D	ED4	36 x 30 x 14	239	\$9,383	V3	
75		88	HVW701D088GN01300001	Yes	D	ED4	36 x 30 x 14	248	\$12,959	V3	
Input Power Supply: Three-Phase 460-480 Vac without Dynamic Braking Transistor											
75		105	HVW701E105GN01300001	No	E ⁵	ED5	48 x 30 x 17.5	300	\$24,247	V3	
100/125		142	HVW701E142GN01300001	No	E ⁵	ED5	48 x 30 x 17.5	300	\$27,601	V3	
150		180	HVW701E180GN01300001	No	E ⁵	ED5	48 x 30 x 17.5	300	\$33,413	V3	
175	211	HVW701E211GN01300001	No	E ⁵	ED5	48 x 30 x 17.5	300	\$37,281	V3		

Notes:

- 1) VT = Variable Torque (Quadratic Load), 110% overload / 60 sec.
- 2) "HP" rating based on "average FLA values". Use as a guide only.
- 3) Motor FLA may vary with speed and manufacturer. ALWAYS compare motor FLA to Nominal AMPS of drive.
- 4) HV1 and HV2 enclosures are NEMA Type 1 ventilated and wall-mounted; ED3 and ED4 are non-ventilated and wall-mounted.
- 5) Maximum 45°C ambient temperature without derating
- 6) Dimensions and weights are for estimating purposes only. Only use "AS BUILT" drawings for construction. For other technical data please refer to WEG product manual.

Variable Frequency Drives



HW701

HVAC Drive Panel - NEMA 1 Enclosure - Disconnect Only

Motor Voltage	ND / VT ¹		Catalog Number	Braking Transistor	Drive Frame Size	Enclosure Frame Size ⁴	Dimensions (in.) HxWxD ⁶	Approx. Weight (lbs.) ⁶	List Price	Multiplier		
	Motor HP ²	Drive Amps ³										
230 Vac	Input Power Supply: Three-Phase 220-240 Vac with Dynamic Braking Transistor											
		2	7.0	HVW701A007DN01000000	Yes	A	HV1	36 x 7.8 x 15	71	\$2,610	V3	
		3	10	HVW701A010DN01000000	Yes	A	HV1	36 x 7.8 x 15	71	\$2,627	V3	
		5	13	HVW701A013DN01000000	Yes	A	HV1	36 x 7.8 x 15	71	\$2,654	V3	
		5	16	HVW701A016DN01000000	Yes	A	HV1	36 x 7.8 x 15	71	\$2,697	V3	
		7 1/2	24	HVW701B024DN01000000	Yes	B	HV1	36 x 7.8 x 15	82	\$3,005	V3	
		10	28	HVW701B028DN01000000	Yes	B	HV1	36 x 7.8 x 15	82	\$3,279	V3	
		10	33.5	HVW701B033DN01000000	Yes	B	HV1	36 x 7.8 x 15	82	\$3,525	V3	
		15	45	HVW701C045DN01000000	Yes	C	HV2	43.9 x 9 x 16	129	\$3,755	V3	
		20	54	HVW701C054DN01000000	Yes	C	HV2	43.9 x 9 x 16	129	\$4,767	V3	
		25	70	HVW701C070DN01000000	Yes	C	HV2	43.9 x 9 x 16	129	\$5,738	V3	
		30	86	HVW701D086DN01000000	Yes	D	ED3	36 x 30 x 14	230	\$6,687	V3	
		40	105	HVW701D105DN01000000	Yes	D	ED3	36 x 30 x 14	240	\$10,405	V3	
		Input Power Supply: Three-Phase 220-240 Vac without Dynamic Braking Transistor										
		50	142	HVW701E142DN01000000	No	E ⁵	ED4	48 x 30 x 17.5	300	\$12,301	V3	
	60	180	HVW701E180DN01000000	No	E ⁵	ED4	48 x 30 x 17.5	300	\$12,658	V3		
	75	211	HVW701E211DN01000000	No	E ⁵	ED4	48 x 30 x 17.5	300	\$20,126	V3		
460 Vac	Input Power Supply: Three-Phase 460-480 Vac with Dynamic Braking Transistor											
		2	3.6	HVW701A003GN01000000	Yes	A	HV1	36 x 7.8 x 15	71	\$2,358	V3	
		3	5.0	HVW701A005GN01000000	Yes	A	HV1	36 x 7.8 x 15	71	\$2,371	V3	
		5	7.0	HVW701A007GN01000000	Yes	A	HV1	36 x 7.8 x 15	71	\$2,534	V3	
		7 1/2	10	HVW701A010GN01000000	Yes	A	HV1	36 x 7.8 x 15	71	\$2,867	V3	
		10	13.5	HVW701A013GN01000000	Yes	A	HV1	36 x 7.8 x 15	71	\$2,972	V3	
		10	17	HVW701B017GN01000000	Yes	B	HV1	36 x 7.8 x 15	82	\$3,073	V3	
		15	24	HVW701B024GN01000000	Yes	B	HV1	36 x 7.8 x 15	82	\$3,637	V3	
		20	31	HVW701B031GN01000000	Yes	B	HV1	36 x 7.8 x 15	82	\$4,283	V3	
		25	38	HVW701C038GN01000000	Yes	C	HV2	43.9 x 9 x 16	129	\$5,114	V3	
		30	45	HVW701C045GN01000000	Yes	C	HV2	43.9 x 9 x 16	129	\$5,626	V3	
		40	58.5	HVW701C058GN01000000	Yes	C	HV2	43.9 x 9 x 16	129	\$5,813	V3	
		50/60	70.5	HVW701D070GN01000000	Yes	D	ED3	36 x 30 x 14	230	\$7,502	V3	
		75	88	HVW701D088GN01000000	Yes	D	ED3	36 x 30 x 14	240	\$10,661	V3	
		Input Power Supply: Three-Phase 460-480 Vac without Dynamic Braking Transistor										
	75	105	HVW701E105GN01000000	No	E ⁵	ED4	48 x 30 x 17.5	300	\$20,951	V3		
	100/125	142	HVW701E142GN01000000	No	E ⁵	ED4	48 x 30 x 17.5	300	\$22,376	V3		
	150	180	HVW701E180GN01000000	No	E ⁵	ED4	48 x 30 x 17.5	300	\$26,852	V3		
	175	211	HVW701E211GN01000000	No	E ⁵	ED4	48 x 30 x 17.5	300	\$29,847	V3		

Notes:

- 1) VT = Variable Torque (Quadratic Load), 110% overload / 60 sec.
- 2) "HP" rating based on "average FLA values". Use as a guide only.
- 3) Motor FLA may vary with speed and manufacturer. ALWAYS compare motor FLA to Nominal AMPS of drive.
- 4) HV1 and HV2 enclosures are NEMA Type 1 ventilated and wall-mounted; ED3 and ED4 are non-ventilated and wall-mounted.
- 5) Maximum 45°C ambient temperature without derating
- 6) Dimensions and weights are for estimating purposes only. Only use "AS BUILT" drawings for construction. For other technical data please refer to WEG product manual.



HVAC Drive Panel - NEMA 1 Enclosure Disconnect Only with LonWorks® Communication Module

Motor Voltage	ND / VT ¹		Catalog Number	Braking Transistor	Drive Frame Size	Enclosure Frame Size ⁴	Dimensions (in.) HxWxD ⁶	Approx. Weight (lbs.) ⁶	List Price	Multiplier	
	Motor HP ²	Drive Amps ³									
230 Vac	Input Power Supply: Three-Phase 220-240 Vac with Dynamic Braking Transistor										
	2	7.0	HVW701A007DN01000001	Yes	A	HV1	36 x 7.8 x 15	71	\$3,710	V3	
	3	10	HVW701A010DN01000001	Yes	A	HV1	36 x 7.8 x 15	71	\$3,727	V3	
	5	13	HVW701A013DN01000001	Yes	A	HV1	36 x 7.8 x 15	71	\$3,754	V3	
	5	16	HVW701A016DN01000001	Yes	A	HV1	36 x 7.8 x 15	71	\$3,797	V3	
	7 1/2	24	HVW701B024DN01000001	Yes	B	HV1	36 x 7.8 x 15	82	\$4,105	V3	
	10	28	HVW701B028DN01000001	Yes	B	HV1	36 x 7.8 x 15	82	\$4,379	V3	
	10	33.5	HVW701B033DN01000001	Yes	B	HV1	36 x 7.8 x 15	82	\$4,625	V3	
	15	45	HVW701C045DN01000001	Yes	C	HV2	43.9 x 9 x 16	129	\$4,855	V3	
	20	54	HVW701C054DN01000001	Yes	C	HV2	43.9 x 9 x 16	129	\$5,867	V3	
	25	70	HVW701C070DN01000001	Yes	C	HV2	43.9 x 9 x 16	129	\$6,838	V3	
	30	86	HVW701D086DN01000001	Yes	D	ED3	36 x 30 x 14	230	\$7,787	V3	
	40	105	HVW701D105DN01000001	Yes	D	ED3	36 x 30 x 14	240	\$11,505	V3	
	Input Power Supply: Three-Phase 220-240 Vac without Dynamic Braking Transistor										
	50	142	HVW701E142DN01000001	No	E ⁵	ED4	48 x 30 x 17.5	300	\$13,401	V3	
	60	180	HVW701E180DN01000001	No	E ⁵	ED4	48 x 30 x 17.5	300	\$13,758	V3	
75	211	HVW701E211DN01000001	No	E ⁵	ED4	48 x 30 x 17.5	300	\$21,226	V3		
460 Vac	Input Power Supply: Three-Phase 460-480 Vac with Dynamic Braking Transistor										
	2	3.6	HVW701A003GN01000001	Yes	A	HV1	36 x 7.8 x 15	71	\$3,458	V3	
	3	5.0	HVW701A005GN01000001	Yes	A	HV1	36 x 7.8 x 15	71	\$3,471	V3	
	5	7.0	HVW701A007GN01000001	Yes	A	HV1	36 x 7.8 x 15	71	\$3,634	V3	
	7 1/2	10	HVW701A010GN01000001	Yes	A	HV1	36 x 7.8 x 15	71	\$3,967	V3	
	10	13.5	HVW701A013GN01000001	Yes	A	HV1	36 x 7.8 x 15	71	\$4,072	V3	
	10	17	HVW701B017GN01000001	Yes	B	HV1	36 x 7.8 x 15	82	\$4,173	V3	
	15	24	HVW701B024GN01000001	Yes	B	HV1	36 x 7.8 x 15	82	\$4,737	V3	
	20	31	HVW701B031GN01000001	Yes	B	HV1	36 x 7.8 x 15	82	\$5,383	V3	
	25	38	HVW701C038GN01000001	Yes	C	HV2	43.9 x 9 x 16	129	\$6,214	V3	
	30	45	HVW701C045GN01000001	Yes	C	HV2	43.9 x 9 x 16	129	\$6,726	V3	
	40	58.5	HVW701C058GN01000001	Yes	C	HV2	43.9 x 9 x 16	129	\$6,913	V3	
	50/60	70.5	HVW701D070GN01000001	Yes	D	ED3	36 x 30 x 14	230	\$8,602	V3	
	75	88	HVW701D088GN01000001	Yes	D	ED3	36 x 30 x 14	240	\$11,761	V3	
	Input Power Supply: Three-Phase 460-480 Vac without Dynamic Braking Transistor										
	75	105	HVW701E105GN01000001	No	E ⁵	ED4	48 x 30 x 17.5	300	\$22,051	V3	
100/125	142	HVW701E142GN01000001	No	E ⁵	ED4	48 x 30 x 17.5	300	\$23,476	V3		
150	180	HVW701E180GN01000001	No	E ⁵	ED4	48 x 30 x 17.5	300	\$27,952	V3		
175	211	HVW701E211GN01000001	No	E ⁵	ED4	48 x 30 x 17.5	300	\$30,947	V3		

Notes:

- 1) VT = Variable Torque (Quadratic Load), 110% overload / 60 sec.
- 2) "HP" rating based on "average FLA values". Use as a guide only.
- 3) Motor FLA may vary with speed and manufacturer. ALWAYS compare motor FLA to Nominal AMPS of drive.
- 4) HV1 and HV2 enclosures are NEMA Type 1 ventilated and wall-mounted; ED3 and ED4 are non-ventilated and wall-mounted.
- 5) Maximum 45°C ambient temperature without derating
- 6) Dimensions and weights are for estimating purposes only. Only use "AS BUILT" drawings for construction. For other technical data please refer to WEG product manual.

General Information
CFW100
CFW300
CFW500
CFW700
CFW701
CFW11M
CFW11M
PUMP GENIUS
CFW700 SINGLE PHASE
CFW08 WASH
CFW501
CFW701
HVW701
SSW05
SSW07
SSW06
EDP11 EDP700
GPH2
TPH2

SSW05

The WEG SSW05 Soft Starter is a super compact fully digital soft starter with a state-of-the-art DSP controller. Its digital construction provides optimum operation, diagnostics capability and full motor protection. Simplicity in set-up and operation is assured since all parameters and set-up selections are made via dip switches and potentiometers. Status LED's alert the user of the operational status of the SSW05. Simplicity, ease of set-up, and the small panel assures quick and easy installation and operation.

Standard Features

- 208 - 480V, 50/60Hz input power supply
- Duty cycle: 300% rated current during 10 seconds, 4 starts per hour
- Built-in by-pass contactor
- One digital input for Start/Stop (90 - 250 Vac)
- One digital input for DSP Fault Reset (90 - 250 Vac)
- One relay output for Run indication (1 Amp - 250V)
- One relay output for Full Voltage indication (1 Amp - 250V)
- RS-232 serial port
- Adjustable acceleration and deceleration ramps (1 - 20 seconds)
- For high inertia loads, see SSW07 product line.
- Adjustable pedestal voltage (30 - 80% of line voltage)
- Protective features: Motor overload, over current and locked rotor, SCR overload, phase loss and phase sequence
- DIN rail or direct mount
- Ambient: 32°F (0°C) to 131°F (55°C), 3300ft (1000m) altitude, 90% non-condensing humidity
- SuperDrive compatible
- Remote Keypad (optional)

Applications

- Pumps
- Fans
- Blowers
- Compressors



SSW05 Catalog Number Sequence

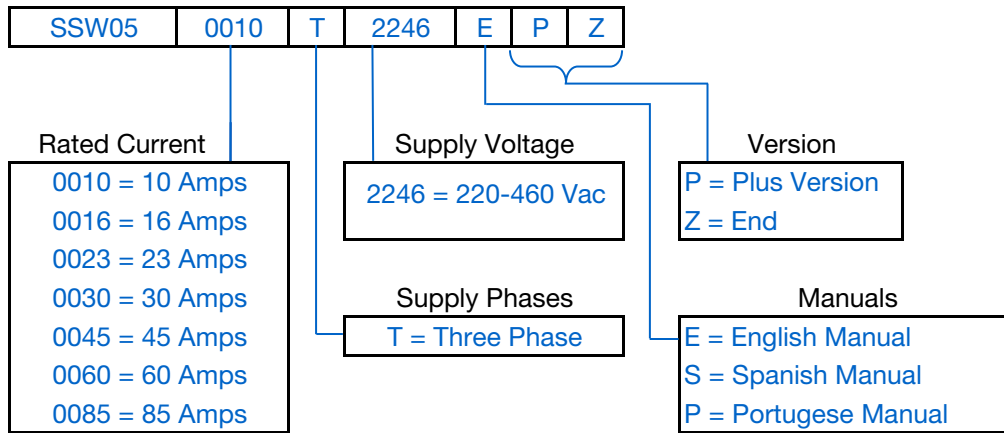


Table intended as reference only and not to create part numbers.

- General Information
- CFW100
- CFW300
- CFW500
- CFW700
- CFW11
- CFW11M
- PUMP GENIUS
- CFW700 SINGLE PHASE
- CFW08 WASH
- CFW501
- CFW701
- HVV701
- SSW05**
- SSW07
- SSW06
- EDP11 EDP700
- GPH2
- TPH2

SSW05

Protected Chassis Enclosure

Motor Voltage	Motor HP ¹	Starter Amps ²	Catalog Number	Frame Size	Dimensions (in.) HxWxD	Approx. Weight (lbs.)	List Price	Multiplier
Input Power Supply: Three-Phase 230 Vac								
230 Vac	3	10	SSW050010T2246EPZ	1	5.1 x 2.3 x 5.7	3	\$531	E1
	5	16	SSW050016T2246EPZ	1	5.1 x 2.3 x 5.7	3	\$603	E1
	7.5	23	SSW050023T2246EPZ	1	5.1 x 2.3 x 5.7	3	\$694	E1
	10	30	SSW050030T2246EPZ	1	5.1 x 2.3 x 5.7	3	\$754	E1
	15	45	SSW050045T2246EPZ	2	7.3 x 3.1 x 6.8	6	\$943	E1
	25	60	SSW050060T2246EPZ	2	7.3 x 3.1 x 6.8	6	\$1,135	E1
	30	85	SSW050085T2246EPZ	2	7.3 x 3.1 x 6.8	6	\$1,382	E1
Input Power Supply: Three-Phase 460 Vac								
460 Vac	5	10	SSW050010T2246EPZ	1	5.1 x 2.3 x 5.7	3	\$531	E1
	10	16	SSW050016T2246EPZ	1	5.1 x 2.3 x 5.7	3	\$603	E1
	15	23	SSW050023T2246EPZ	1	5.1 x 2.3 x 5.7	3	\$694	E1
	20	30	SSW050030T2246EPZ	1	5.1 x 2.3 x 5.7	3	\$754	E1
	30	45	SSW050045T2246EPZ	2	7.3 x 3.1 x 6.8	6	\$943	E1
	40	60	SSW050060T2246EPZ	2	7.3 x 3.1 x 6.8	6	\$1,135	E1
	60 / 75	85	SSW050085T2246EPZ	2	7.3 x 3.1 x 6.8	6	\$1,382	E1

Notes:

- 1) "HP" rating based on FLA values from WEG W22, 2 and 4 pole, NEMA Premium motors.
- 2) Motor FLA may vary with speed and manufacturer. ALWAYS compare motor FLA to Nominal AMPS of the starter. HD current rating with 140% O/L

Options and Accessories

Type	Catalog Number	Description	Approx. Weight (lbs)	List Price	Multiplier
Remote Keypad	HMI-SSW05-RS	Remote Keypad with LED Display	1.1	\$120	E1
Remote Cable	CAB-RS-1	3.3 ft (1 meter) Remote Keypad Cable	0.5	\$23	V1
	CAB-RS-2	6.6 ft (2 meter) Remote Keypad Cable	0.7	\$31	V1
	CAB-RS-3	9.9 ft (3 meter) Remote Keypad Cable	1.0	\$41	V1
	CAB-RS-5	16 ft (5 meter) Remote Keypad Cable	1.2	\$51	V1
	CAB-RS-7.5	25 ft (7.5 meter) Remote Keypad Cable	1.5	\$62	V1
	CAB-RS-10	33 ft (10 meter) Remote Keypad Cable	2.0	\$72	V1

Settings and Indications



SSW05 – Technical Data

Power Supply	Main Voltage	208... 480 Vac (+10%, -15%)
	Control Voltage	90 ...250 Vac
	Frequency	50 / 60Hz (+/- 5Hz)
Enclosure	IP00 Protected Chassis	
Duty Cycle	300% rated current during 10 seconds, 4 starts per hour	
Control Inputs	Digital	One input for Start/Stop (90 - 250 Vac) One input for Fault Reset (90 - 250 Vac)
	Control Outputs	Digital
Communication	Serial Interface	RS-232C
Safety	Protection	Motor overload*
		Locked rotor*
		Over current*
		Phase sequence*
		Phase loss*
Control Features	Pedestal Voltage	30 ... 80% of line voltage
	Accel Ramp	1 ... 20 seconds
	Decel Ramp	Off ... 20 seconds
	Motor Current	30 ... 100% of SSW-05 rating
	Fault Reset	Manual or Automatic
Ambient	Temperature	32 ... 131°F (0 - 55°C)
	Humidity	0...90% Non Condensing
	Altitude	0 ... 1000m (3,300 ft) - Standard Operation at Rated Current Up to 4000m (13,200 ft) - With Current Derating (1%/100m (328 ft) above 1000m (13,200 ft))
Conformities	Low Voltage	UL 508 - Industrial Control Equipment IEC 60947-4-2
		EMC

* Can be disabled

SSW07

Soft Starters are static starting devices, designed for the acceleration, deceleration and protection of the three phase, electric induction motors through the control of the voltage applied to the motor. The SSW07, with DSP control (Digital Signal Processor), was designed to provide great performance on motor starts and stops with an excellent cost-benefit relation. Easy to set up, it simplifies start-up activities and daily operations.

The SSW07 is compact, optimizing space in electric panels. The SSW07 incorporates all electric motor protections and adapts to customer needs through its easy-to-install optional accessories. Optionally, a keypad, a communication interface or a motor PTC input can be added to the product.



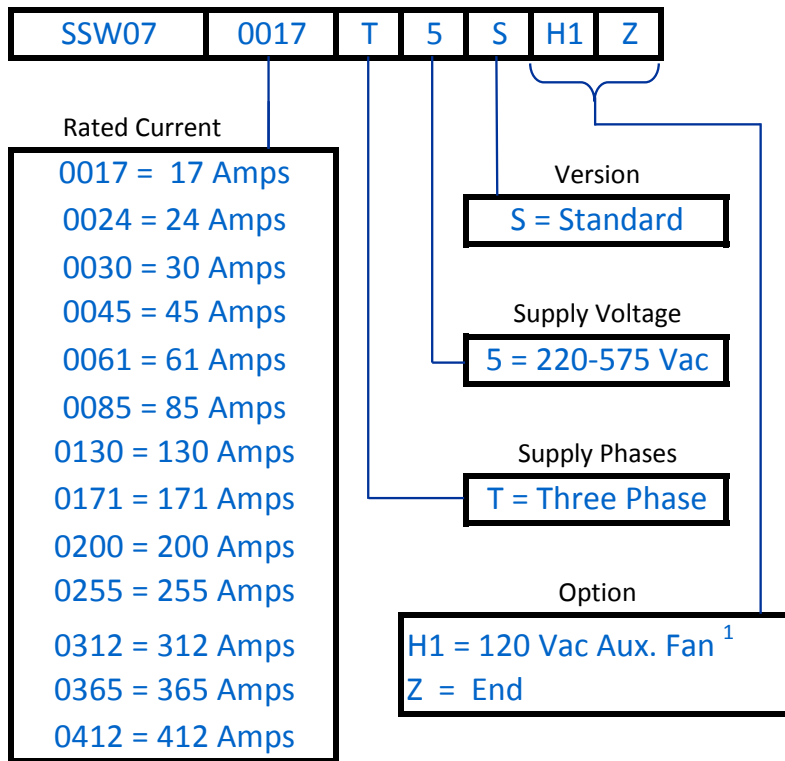
Standard Features

- Universal voltage (220 to 575 Vac)
- Built-in run rated (AC1) By-pass contactor
- Significant reduction of mechanical stresses through the coupling and transmission devices (gearboxes, pulleys, gears, conveyors, etc.) during the start
- Increases motor and machine mechanical equipment lifetime due to the elimination of mechanical shock
- Easy operation, setup, maintenance & installation
- Simple setpoint programming through trim pots
- Operates in environments up to 55°C without current reduction
- Integral, electronic motor protection
- Built-in electronic thermal relay
- Avoids “Water Hammer” in pumps
- Limitation of voltage drop during start
- Switched type power supply with EMC filter for the control electronics (110 to 240 Vac)
- SuperDrive G2 compatible
- Conformal coated circuit boards

Applications

- Chemical and Petrochemical
- Plastic and Rubber
- Pulp and Paper
- Sugar and Alcohol
- Beverages
- Cement and Mining
- Food and Beverage
- Textile
- Metallurgy
- Ceramics
- Glass
- Refrigeration
- Wood
- Sanitation
- Load Transportation
- Pumps and Fans

SSW07 Catalog Number Sequence



1) Aux. Cooling Fan for SSW07 Frame 4 Only
Requires 120 Vac Single-Phase Power

Table intended as reference only and not to create part numbers.

- General Information
- CFW100
- CFW300
- CFW500
- CFW700
- CFW11
- CFW11M
- PUMP GENIUS
- CFW700 SINGLE PHASE
- CFW08 WASH
- CFW501
- CFW701
- HVV701
- SSW05
- SSW07**
- SSW06
- EDP11 EDP700
- GPH2
- TPH2

SSW07

Protected Chassis Enclosure

Motor Voltage	Motor HP ¹	Starter Amps ²	Catalog Number	Frame Size	Dimensions (in.) HxWxD	Approx. Weight (lbs.)	List Price	Multiplier
230 Vac	Input Power Supply: Three-Phase 230 Vac							
	5	17	SSW070017T5SZ	1	6.4 x 3.74 x 6.1	2.9	\$1,158	E1
	7.5	24	SSW070024T5SZ	1	6.4 x 3.74 x 6.1	2.9	\$1,241	E1
	10	30	SSW070030T5SZ	1	6.4 x 3.74 x 6.1	2.9	\$1,281	E1
	15	45	SSW070045T5SZ	2	8.2 x 5.6 x 8.0	7.3	\$1,461	E1
	25	61	SSW070061T5SZ	2	8.2 x 5.6 x 8.0	7.3	\$1,646	E1
	30	85	SSW070085T5SZ	2	8.2 x 5.6 x 8.0	7.3	\$1,992	E1
	50	130	SSW070130T5SZ	3	10.9 x 8.6 x 8.7	16.8	\$2,501	E1
	60	171	SSW070171T5SZ	3	10.9 x 8.6 x 8.7	16.8	\$3,177	E1
	75	200	SSW070200T5SZ	3	10.9 x 8.6 x 8.7	16.8	\$3,766	E1
	100	255	SSW070255T5SZ	4	13.0 x 9.0 x 9.6	25.4	\$4,598	E1
	125	312	SSW070312T5SZ	4	13.0 x 9.0 x 9.6	25.4	\$4,992	E1
	150	365	SSW070365T5SZ	4	13.0 x 9.0 x 9.6	25.4	\$5,187	E1
	150	412	SSW070412T5SZ	4	13.0 x 9.0 x 9.6	25.4	\$6,088	E1
460 Vac	Input Power Supply: Three-Phase 460 Vac							
	10	17	SSW070017T5SZ	1	6.4 x 3.74 x 6.1	2.9	\$1,158	E1
	15	24	SSW070024T5SZ	1	6.4 x 3.74 x 6.1	2.9	\$1,241	E1
	20	30	SSW070030T5SZ	1	6.4 x 3.74 x 6.1	2.9	\$1,281	E1
	30	45	SSW070045T5SZ	2	8.2 x 5.6 x 8.0	7.3	\$1,461	E1
	50	61	SSW070061T5SZ	2	8.2 x 5.6 x 8.0	7.3	\$1,646	E1
	75	85	SSW070085T5SZ	2	8.2 x 5.6 x 8.0	7.3	\$1,992	E1
	100	130	SSW070130T5SZ	3	10.9 x 8.6 x 8.7	16.8	\$2,501	E1
	125	171	SSW070171T5SZ	3	10.9 x 8.6 x 8.7	16.8	\$3,177	E1
	150	200	SSW070200T5SZ	3	10.9 x 8.6 x 8.7	16.8	\$3,766	E1
	200	255	SSW070255T5SZ	4	13.0 x 9.0 x 9.6	25.4	\$4,598	E1
	250	312	SSW070312T5SZ	4	13.0 x 9.0 x 9.6	25.4	\$4,992	E1
	300	365	SSW070365T5SZ	4	13.0 x 9.0 x 9.6	25.4	\$5,187	E1
	350	412	SSW070412T5SZ	4	13.0 x 9.0 x 9.6	25.4	\$6,088	E1
575 Vac	Input Power Supply: Three-Phase 575 Vac							
	15	17	SSW070017T5SZ	1	6.4 x 3.74 x 6.1	2.9	\$1,158	E1
	20	24	SSW070024T5SZ	1	6.4 x 3.74 x 6.1	2.9	\$1,241	E1
	30	30	SSW070030T5SZ	1	6.4 x 3.74 x 6.1	2.9	\$1,281	E1
	40	45	SSW070045T5SZ	2	8.2 x 5.6 x 8.0	7.3	\$1,461	E1
	60	61	SSW070061T5SZ	2	8.2 x 5.6 x 8.0	7.3	\$1,646	E1
	75	85	SSW070085T5SZ	2	8.2 x 5.6 x 8.0	7.3	\$1,992	E1
	125	130	SSW070130T5SZ	3	10.9 x 8.6 x 8.7	16.8	\$2,501	E1
	175	171	SSW070171T5SZ	3	10.9 x 8.6 x 8.7	16.8	\$3,177	E1
	200	200	SSW070200T5SZ	3	10.9 x 8.6 x 8.7	16.8	\$3,766	E1
	250	255	SSW070255T5SZ	4	13.0 x 9.0 x 9.6	25.4	\$4,598	E1
	300	312	SSW070312T5SZ	4	13.0 x 9.0 x 9.6	25.4	\$4,992	E1
	350	365	SSW070365T5SZ	4	13.0 x 9.0 x 9.6	25.4	\$5,187	E1
	400	412	SSW070412T5SZ	4	13.0 x 9.0 x 9.6	25.4	\$6,088	E1

Notes:

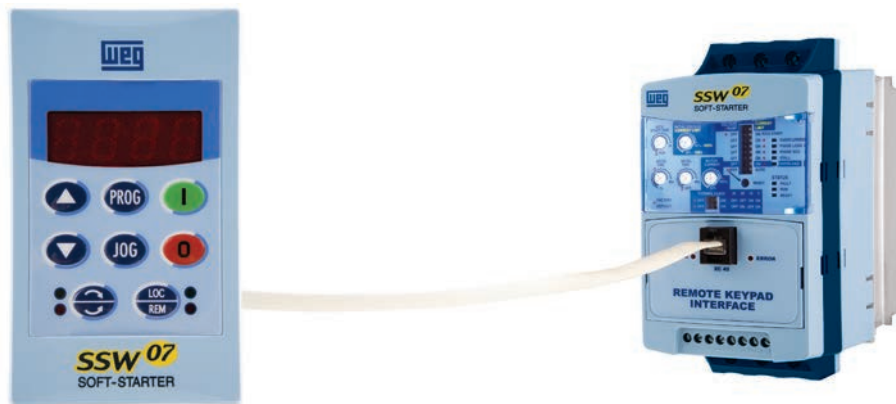
- 1) "HP" rating based on FLA values from WEG W22, 2 and 4 pole, NEMA Premium motors.
- 2) Motor FLA may vary with speed and manufacturer. ALWAYS compare motor FLA to Nominal AMPS of starter. HD current rating with 140% O/L

Options and Accessories

Type	Catalog Number	Description	Approx. Weight (lbs.)	List Price	Multiplier
Keypad	HMI-LOCAL-SSW07	Local Keypad - Mounts on SSW07 Soft Starter	1.1	\$174	E1
	HMI-REMOTE-SSW07	Remote Keypad Kit - Includes HMI and Interface Module	3.1	\$340	E1
	HMI-SSW07-REM+RS485	Remote Keypad Kit - Includes HMI RS485 Comm. Card	3.8	\$427	E1
Remote Cable	CAB-RS-1	3.3 ft (1 meter) Remote Keypad Cable	0.5	\$23	V1
	CAB-RS-2	6.6 ft (2 meter) Remote Keypad Cable	0.7	\$31	V1
	CAB-RS-3	9.9 ft (3 meter) Remote Keypad Cable	1.0	\$41	V1
	CAB-RS-5	16 ft (5 meter) Remote Keypad Cable	1.2	\$51	V1
	CAB-RS-7.5	25 ft (7.5 meter) Remote Keypad Cable	1.5	\$62	V1
	CAB-RS-10	33 ft (10 meter) Remote Keypad Cable	2.0	\$72	V1
Communication	KRS-232-SSW07	RS-232 Communication Kit	1.6	\$121	E1
	KRS-485-SSW07	RS-485 Communication Kit	1.6	\$201	E1
	CAB-COMM-3	Cable for Communication RS232 (DB9-DB9) - 9.9ft. (3 meter)	1.1	\$75	E1
	CAB-COMM-10	Cable for Communication RS232 (DB9-DB9) - 33 ft (10 meter)	2.0	\$164	E1
	KFB-DN SSW07/08	DeviceNet Communication Kit plus Remote HMI Connection	2.3	\$353	E1
Kits	SSW07-VENT KIT-M2 ¹	Ventilation Kit M2 (Frame Size 2, 45 to 85A)	1.4	\$65	E1
	SSW07-VENT KIT-M3 ¹	Ventilation Kit M3 (Frame Size 3, 130 to 200A)	1.4	\$94	E1
	KIT-PTC-SSW07-MOTOR	PTC Kit for motor	0.8	\$123	E1
	KIT-IP20-SSW07	IP20 Kit for M3 (Frame Size 3, 130 to 200A)	1.1	\$62	E1
	KIT-IP20-SSW07 SZ4	IP20 Kit for M4 (Frame Size 4, 255 to 412A)	1.1	\$130	E1
	KSDG2-SSW07	Superdrive G2 Kit (Includes KRS-232-SSW07, CAB-COMM-3, CD Software)	1.9	\$225	E1

Notes:

1) M2 and M3 Ventilation Kit Cooling Fans require 120 Vac Single-Phase Power



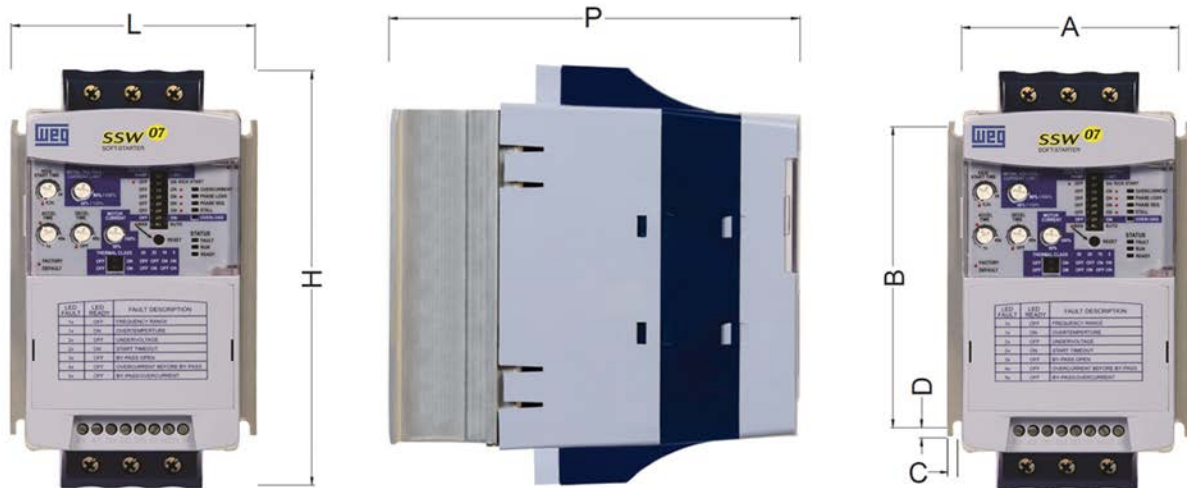
HMI-REMOTE-SSW07; REMOTE KEYPAD

SSW07

Dimensions

Frame Size IP20"	Height 'H' in. (mm)	"Width 'L' in. (mm)"	"Depth 'P' in. (mm)"	"A' in. (mm)"	"B' in. (mm)"	"C' in. (mm)"	"D' in. (mm)"	"Mounting Screw in. (metric)"	"Weight Lbs. (kG)"
1	6.4 (162)	3.8 (95)	6.2 (157)	3.4 (85)	4.8 (120)	0.20 (5)	0.16 (4.0)	5/32 (M4)	2.9 (1.3)
2	8.3 (208)	5.6 (141)	8.0 (202)	5.2 (132)	5.9 (148)	0.25 (6)	0.13 (3.4)	5/32 (M4)	7.3 (3.3)
3	10.9 (276)	8.6 (218)	8.7 (220)	8.2 (208)	8.3 (210)	0.30 (7.5)	0.20 (5.0)	3/16 (M5)	16.8 (7.6)
4 *	13.1 (331)	9.0 (227)	9.6 (242)	9.6 (242)	11.0 (280)	0.60 (15)	0.35 (9.0)	5/16 (M8)	25.4 (11.5)

* Frame 4 is IP00 protection rating. See Page 80 for IP20 kit.



Technical Data

Power Supply	Power	220 to 575 Vac	
	Control	110 to 240 Vca (-15% to +10%), or 94 to 264 Vac	
	Frequency	50 to 60 Hz (+/- 10%), or 45 to 66 Hz	
Enclosure	Injected plastic	IP20 in models from 17 to 85 A	
		IP00 in models from 130 to 200 A (IP20 as option)	
Control	Control Method	Voltage variation over the load (three-phase induction motor)	
	CPU	DSP type microcontroller (Digital Signal Processor)	
	Types of Control	Voltage ramp	Current limit adjustable 150 – 450%
Starting Cycle (1)	Normal	300% (3 x Inom.) during 30 s, 10 starts per hour (every 6 minutes)	
Inputs	Digital	3 isolated programmable inputs (120Vac)	
Outputs	Relay	2 relays with NO contacts, 240Vac, 1A, programmable functions	
Safety	Standard Protection	Overcurrent;	Locked Rotor
		Overcurrent before By-pass	Excess starting time
		Phase loss;	Frequency outside tolerance
		Inverted phase sequence;	By-pass contact open
		Overtemperature in power heatsink;	Undervoltage in control supply
		Motor Overload (class 5 to 30)	
		Undercurrent	Programming error
		Current imbalance	Serial communication error
		Subcurrent before By-pass	MMI communication error
		External defects	Overtemperature in motor PTC
Functions / Resources	Standard	Voltage ramp (Initial voltage: 30% to 90%)	
		Current limitation (150% to 450% of SSW-07 rated current)	
		Starting time (1 to 40s)	
		Kick Start (Off - 0,2 to 2s)	
		Deceleration ramp (0 to 40s)	
		Motor and SSW-07 current relation (50% to 100%)	
		Faults auto-reset	
		Thermal memory auto-reset	
		Factory standard reset	
		Soft-starter built-in By-pass	

Note:
1) For the 45 to 200 Amp units using the ventilation kit.

Continued on next page

SSW07

Technical Data - *continued*

Programming Accessory (MMI or Serial communication)	Command	On, Off / Reset and Parameterization (function Programming)
	Additional Functions / Resources	Starting time up to 240s
		Deceleration time up to 240s
		Program enabling password
		Selection for Local / Remote operation
		COPY function (SSW-07 >>> MMI and MMI >>> SSW-07)
		Programmable rated voltage
	Supervision (Reading)	Motor current (%Soft-Starter In)
		Motor current (%motor In)
		Motor current (A)
		Current indication in each phase R-S-T
		Supply network frequency
		Apparent power supplied to load (kVA)
		Soft-Starter status
		Digital input and output status
		Back up of 4 last errors
		Soft-Starter Software Version
		Heatsink temperature
		Motor thermal protection status
Accessories and Options		Options
		MMI remote Kit
		1,2,3,5,7.5 and 10m for remote MMI interconnection
		RS-232 communication kit
		SSW-07 interconnection cables>>> PC Serial (RS-232) 3 and 10m
		RS-485 communication kit
		Motor PTC kit
		Ventilation kit for size 2 (45 to 85 A)
		Ventilation kit for size 3 (130 to 200 A)
		IP20 kit for size 3 (130 to 200 A)
Finishing	Color	Lid: Gray Ultra Mat Cabinet: Blue Ultra Mat
Certifications	Safety	UL 508 Standard- Industrial Control Equipment
	Low voltage	EN60947-4-2;LVD 2006/95/EC Standard – Low voltage Directive
	EMC	EMC 89/336/EEC Directive – Industrial Environment
	UL (USA) / cUL (Canada)	Underwriters Laboratories Inc. – USA
	CE (Europe)	Conformity test conducted by EPCOS
	C-Tick (Australia)	Australian Communication Authority
	GOST (Russia)	

SSW06

The SSW06 is WEG's third generation Soft Starter line. The keypad, with dual display, has red LED digits which provide visibility and make programming easier. Integral bypass contacts eliminate heat dissipation once the motor is at full voltage, which makes it extremely compact and allows for simple integration into non ventilated enclosures and replacement of electro-mechanical starters in Motor Control Centers.



Standard Features

- 200 - 600V, 50/60Hz input power supply
- Built-in run rated (AC1) By-pass contactor up to 820 A *
- Rated 450% current
- Conformal coated circuit board
- Voltage ramp or current limit start modes
- Detachable keypad with dual display (LCD and LED) and copy function
- 90 - 250Vac auxiliary control voltage
- Single 32 bit RISC processor based control board
- IP00 protected chassis enclosure
- Six isolated 24Vdc programmable digital inputs
- Three programmable relay outputs (2 Amp - 250V)
- One 0 - 10Vdc programmable analog output
- One 4 - 20mA programmable analog output
- Motor PTC thermistor input
- RS-232 serial interface
- Adjustable acceleration and deceleration ramps (1 - 299 seconds)
- Adjustable pedestal voltage (25 - 90% of line voltage)
- Diagnostic features: Motor overload, over current and phase loss, motor immediate over and under current, SCR over temperature and fault, line phase loss and phase sequence, line over and under voltage
- Display readings: Motor current, voltage, kW and power factor, line voltage and frequency, four last fault trips, run and power-up timers
- Ambient: 32°F (0°C) to 131°F (55°C), 3300 ft (1000m) altitude, 90% non-condensing humidity

Applications

- Pumps
- Fans
- Blowers
- Compressors
- Crushers
- Saws
- Grinders
- Mixers

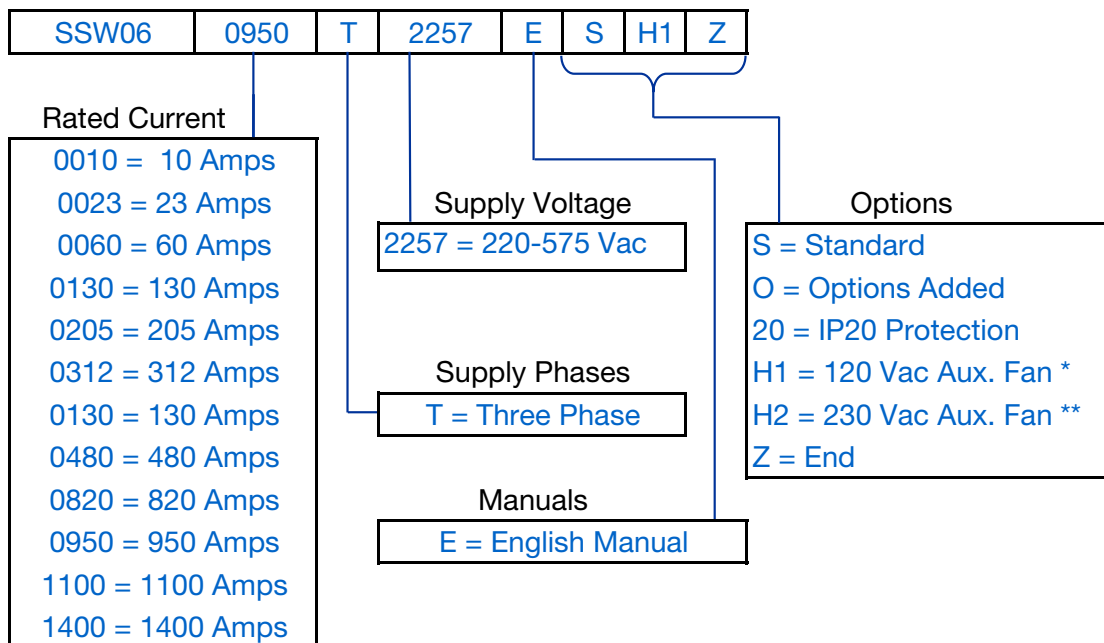
Optional Features

- RS-485 serial interface
- Remote keypad cables and mounting frame
- PC programming software

*SSW06 950A, 1100A, and 1400A units do not include integrated AC1 bypass



SSW06 Catalog Number Sequence



* Aux. Cooling Fan requires separate 120 Vac control power

** Aux. Cooling Fan requires separate 230 Vac control power

Table intended as reference only and not to create part numbers.

Protected Chassis Enclosure

Motor Voltage	Motor HP ¹	Starter Amps ²	Catalog Number	Frame Size	Dimensions (in.) HxWxD	Approx. Weight (lbs.)	List Price	Multiplier
230 Vac	Input Power Supply: Three-Phase 230 Vac							
	3	10	SSW060010T2257ESZ	1	10.0 x 5.0 x 7.0	7.5	\$1,386	E1
	5	16	SSW060016T2257ESZ	1	10.0 x 5.0 x 7.0	7.5	\$1,429	E1
	7.5	23	SSW060023T2257ESZ	1	10.0 x 5.0 x 7.0	7.5	\$1,572	E1
	10	30	SSW060030T2257ESZ	1	10.0 x 5.0 x 7.0	7.5	\$1,703	E1
	15	45	SSW060045T2257ESZ	2	14.6 x 5.2 x 9.6	19	\$1,976	E1
	20	60	SSW060060T2257ESZ	2	14.6 x 5.2 x 9.6	19	\$2,181	E1
	25 / 30	85	SSW060085T2257ESZ	2	14.6 x 5.2 x 9.6	19	\$2,771	E1
	50	130	SSW060130T2257ESZ	2	14.6 x 5.2 x 9.6	19	\$3,547	E1
	60	170	SSW060170T2257ESZ	3	17.3 x 8.8 x 11.0	41	\$4,270	E1
	75	205	SSW060205T2257ESZ	3	17.3 x 8.8 x 11.0	41	\$5,354	E1
	100	255	SSW060255T2257ESZ	4	21.6 x 14.6 x 12.3	92	\$7,188	E1
	125	312	SSW060312T2257ESZ	4	21.6 x 14.6 x 12.3	92	\$7,896	E1
	150	365	SSW060365T2257ESZ	4	21.6 x 14.6 x 12.3	92	\$8,721	E1
	150	412	SSW060412T2257ESZ	5	26.0 x 15.0 x 14.0	122	\$9,465	E1
	200	480	SSW060480T2257ESZ	5	26.0 x 15.0 x 14.0	122	\$11,730	E1
	250	604	SSW060604T2257ESZ	5	26.0 x 15.0 x 14.0	122	\$13,082	E1
	250	670	SSW060670T2257ESZ	6	32.0 x 22.0 x 15.0	265	\$14,878	E1
	350	820	SSW060820T2257ESZ	6	32.0 x 22.0 x 15.0	265	\$17,573	E1
	400	950	SSW060950T2257ESH1Z ^{3,4}	7	36.0 x 23.0 x 14.0	236	\$26,592	E1
400	950	SSW060950T2257ESH2Z ^{3,4}	7	36.0 x 23.0 x 14.0	236	\$26,592	E1	
450	1100	SSW061100T2257ESH2Z ^{3,4}	8	49.0 x 27.0 x 18.0	480	\$33,351	E1	
550	1400	SSW061400T2257ESH2Z ^{3,4}	8	49.0 x 27.0 x 18.0	480	\$42,863	E1	
460 Vac	Input Power Supply: Three-Phase 460 Vac							
	5	10	SSW060010T2257ESZ	1	10.0 x 5.0 x 7.0	7.5	\$1,386	E1
	10	16	SSW060016T2257ESZ	1	10.0 x 5.0 x 7.0	7.5	\$1,429	E1
	15	23	SSW060023T2257ESZ	1	10.0 x 5.0 x 7.0	7.5	\$1,572	E1
	20	30	SSW060030T2257ESZ	1	10.0 x 5.0 x 7.0	7.5	\$1,703	E1
	30	45	SSW060045T2257ESZ	2	14.6 x 5.2 x 9.6	19	\$1,976	E1
	40	60	SSW060060T2257ESZ	2	14.6 x 5.2 x 9.6	19	\$2,181	E1
	50 / 60 / 75	85	SSW060085T2257ESZ	2	14.6 x 5.2 x 9.6	19	\$2,771	E1
	100	130	SSW060130T2257ESZ	2	14.6 x 5.2 x 9.6	19	\$3,547	E1
	125	170	SSW060170T2257ESZ	3	17.3 x 8.8 x 11.0	41	\$4,270	E1
	150	205	SSW060205T2257ESZ	3	17.3 x 8.8 x 11.0	41	\$5,354	E1
	200	255	SSW060255T2257ESZ	4	21.6 x 14.6 x 12.3	92	\$7,188	E1
	250	312	SSW060312T2257ESZ	4	21.6 x 14.6 x 12.3	92	\$7,896	E1
	300	365	SSW060365T2257ESZ	4	21.6 x 14.6 x 12.3	92	\$8,721	E1
	350	412	SSW060412T2257ESZ	5	26.0 x 15.0 x 14.0	122	\$9,465	E1
	400	480	SSW060480T2257ESZ	5	26.0 x 15.0 x 14.0	122	\$11,730	E1
	500	604	SSW060604T2257ESZ	5	26.0 x 15.0 x 14.0	122	\$13,082	E1
	550	670	SSW060670T2257ESZ	6	32.0 x 22.0 x 15.0	265	\$14,878	E1
	700	820	SSW060820T2257ESZ	6	32.0 x 22.0 x 15.0	265	\$17,573	E1
	800	950	SSW060950T2257ESH1Z ^{3,4}	7	36.0 x 23.0 x 14.0	236	\$26,592	E1
800	950	SSW060950T2257ESH2Z ^{3,4}	7	36.0 x 23.0 x 14.0	236	\$26,592	E1	
900	1100	SSW061100T2257ESH2Z ^{3,4}	8	49.0 x 27.0 x 18.0	480	\$33,351	E1	
1200	1400	SSW061400T2257ESH2Z ^{3,4}	8	49.0 x 27.0 x 18.0	480	\$42,863	E1	

1) "HP" rating based on FLA values from WEG W22, 2 and 4 pole, NEMA Premium motors.
 2) Motor FLA may vary with speed and manufacturer. ALWAYS compare motor FLA to Nominal AMPS of the starter.
 3) 120V or 240V Control Power Supply required.
 4) 950A, 1100A, and 1400A units do not have integrated AC1 by-pass. A separately mounted by-pass contactor is required.

- General Information
- CFW100
- CFW300
- CFW500
- CFW700
- CFW1100
- CFW11M
- CFW11M
- PUMP GENIUS
- CFW700 SINGLE PHASE
- CFW08 WASH
- CFW501
- CFW701
- HVW701
- SSW05
- SSW07
- SSW06
- EDP11 EDP700
- GP2H
- TP2H

SSW06

Protected Chassis Enclosure

Motor Voltage	Motor HP ¹	Starter Amps ²	Catalog Number	Frame Size	Dimensions (in.) HxWxD	Approx. Weight (lbs.)	List Price	Multiplier
Input Power Supply: Three-Phase 575 Vac								
575 Vac	7.5	10	SSW060010T2257ESZ	1	10.0 x 5.0 x 7.0	7.5	\$1,386	E1
	15	16	SSW060016T2257ESZ	1	10.0 x 5.0 x 7.0	7.5	\$1,429	E1
	20	23	SSW060023T2257ESZ	1	10.0 x 5.0 x 7.0	7.5	\$1,572	E1
	30	30	SSW060030T2257ESZ	1	10.0 x 5.0 x 7.0	7.5	\$1,703	E1
	40	45	SSW060045T2257ESZ	2	14.6 x 5.2 x 9.6	19	\$1,976	E1
	60	60	SSW060060T2257ESZ	2	14.6 x 5.2 x 9.6	19	\$2,181	E1
	75	85	SSW060085T2257ESZ	2	14.6 x 5.2 x 9.6	19	\$2,771	E1
	125	130	SSW060130T2257ESZ	2	14.6 x 5.2 x 9.6	19	\$3,547	E1
	150	170	SSW060170T2257ESZ	3	17.3 x 8.8 x 11.0	41	\$4,270	E1
	200	205	SSW060205T2257ESZ	3	17.3 x 8.8 x 11.0	41	\$5,354	E1
	250	255	SSW060255T2257ESZ	4	21.6 x 14.6 x 12.3	92	\$7,188	E1
	300	312	SSW060312T2257ESZ	4	21.6 x 14.6 x 12.3	92	\$7,896	E1
	350	365	SSW060365T2257ESZ	4	21.6 x 14.6 x 12.3	92	\$8,721	E1
	450	412	SSW060412T2257ESZ	5	26.0 x 15.0 x 14.0	122	\$9,465	E1
	500	480	SSW060480T2257ESZ	5	26.0 x 15.0 x 14.0	122	\$11,730	E1
	650	604	SSW060604T2257ESZ	5	26.0 x 15.0 x 14.0	122	\$13,082	E1
	750	670	SSW060670T2257ESZ	6	32.0 x 22.0 x 15.0	265	\$14,878	E1
	850	820	SSW060820T2257ESZ	6	32.0 x 22.0 x 15.0	265	\$17,573	E1
	1050	950	SSW060950T2257ESH1Z ^{3,4}	7	36.0 x 23.0 x 14.0	236	\$26,592	E1
	1050	950	SSW060950T2257ESH2Z ^{3,4}	7	36.0 x 23.0 x 14.0	236	\$26,592	E1
1200	1100	SSW061100T2257ESH2Z ^{3,4}	8	49.0 x 27.0 x 18.0	480	\$33,351	E1	
1500	1400	SSW061400T2257ESH2Z ^{3,4}	8	49.0 x 27.0 x 18.0	480	\$42,863	E1	
Input Power Supply: Three-Phase 690 Vac								
690 Vac ⁵	50	45	SSW060045T5769ESZ	2	14.6 x 5.2 x 9.6	19	\$2,752	E1
	75	60	SSW060060T5769ESZ	2	14.6 x 5.2 x 9.6	19	\$3,037	E1
	100	85	SSW060085T5769ESZ	2	14.6 x 5.2 x 9.6	19	\$3,725	E1
	150	130	SSW060130T5769ESZ	3	17.3 x 8.8 x 11.0	41	\$4,529	E1
	200	170	SSW060170T5769ESZ	3	17.3 x 8.8 x 11.0	41	\$5,705	E1
	250	205	SSW060205T5769ESZ	4	21.6 x 14.6 x 12.3	87	\$7,172	E1
	300	255	SSW060255T5769ESZ	4	21.6 x 14.6 x 12.3	87	\$8,242	E1
	400	312	SSW060312T5769ESZ	4	21.6 x 14.6 x 12.3	87	\$8,948	E1
	450	365	SSW060365T5769ESZ	4	21.6 x 14.6 x 12.3	87	\$9,299	E1
	550	412	SSW060412T5769ESZ	5	26.0 x 15.0 x 14.0	122	\$11,181	E1
	600	480	SSW060480T5769ESZ	5	26.0 x 15.0 x 14.0	122	\$13,841	E1
	750	604	SSW060604T5769ESZ	5	26.0 x 15.0 x 14.0	122	\$15,439	E1
	850	670	SSW060670T5769ESZ	6	32.0 x 22.0 x 15.0	265	\$14,932	E1
	1000	820	SSW060820T5769ESZ	6	32.0 x 22.0 x 15.0	265	\$17,646	E1
	1200	950	SSW060950T5769ESH1Z 3, 4	7	36.0 x 23.0 x 14.0	236	\$28,794	E1
	1200	950	SSW060950T5769ESH2Z 3, 4	7	36.0 x 23.0 x 14.0	236	\$28,794	E1
	1400	1100	SSW061100T5769ESH2Z 3, 4	8	49.0 x 27.0 x 18.0	479	\$34,673	E1
	1700	1400	SSW061400T5769ESH2Z 3, 4	8	49.0 x 27.0 x 18.0	479	\$44,509	E1

Notes:

- 1) "HP" rating based on FLA values from WEG W22, 2 and 4 pole, NEMA Premium motors.
- 2) Motor FLA may vary with speed and manufacturer. ALWAYS compare motor FLA to Nominal AMPS of the starter.
- 3) 120V or 240V Control Power Supply required.
- 4) 950A, 1100A, and 1400A units do not have integrated AC1 by-pass. A separately mounted by-pass contactor is required.
- 5) All 690V Starters are non-stocked items, consult WEG for availability.

Options and Accessories

Type	Catalog Number	Description	List Price	Multiplier
Keypad	HMI-SSW06-LCD	Standard Keypad with LED & LCD	\$202	E1
	KMR-SSW06	Remote Keypad FRAME KIT	\$63	E1
Remote Keypad Cables	CAB-HMI-SSW06-1	3.3 ft (1 meter) Remote Keypad Cable - SSW06	\$33	E1
	CAB-HMI-SSW06-2	6.6 ft (2 meter) Remote Keypad Cable - SSW06	\$39	E1
	CAB-HMI-SSW06-3	9.9 ft (3 meter) Remote Keypad Cable - SSW06	\$44	E1
	CAB-HMI-SSW06-5	16 ft (5 meter) Remote Keypad Cable - SSW06	\$68	E1
Communication	KFB-PDPV1-SSW06	Profibus DP-PV1 Communication Kit	\$1,194	E1
	KFB-DD-SSW06	DeviceNet Drive Profile Communication Kit	\$1,094	E1
	KFB-ENIP	Ethernet/IP Communication Kit	\$2,100	E1
	KFB-PD	Profibus DP Communication Kit	\$993	V1
	KFB-DN	DeviceNet Communication Kit	\$872	V1
	KSDG2-SSW06	Superdrive G2 Kit	\$62	E1
	KRS-485-SSW06	Interface for RS-485 Communication	\$189	E1
I/O Expansion	KEIO SSW06	KEIO Module for SoftPLC application; 6 isolated DI, 6 relay DO	\$780	E1
	K-PT100	PT100 temperature transducer board; 5 sensor inputs	\$397	E1
IP20 Kits	KIT IP20 SSW06 M2	SSW06 IP20 Kit - Size 2 (85-130A)	\$210	E1
	KIT IP20 SSW06 M3	SSW06 IP20 Kit - Size 3 (170-205A)	\$236	E1
	KIT IP20 SSW06 M4	SSW06 IP20 Kit - Size 4 & 5 (255-604A)	\$254	E1
	KIT IP20 SSW06 M6	SSW06 IP20 Kit - Size 6 (670-820A)	\$536	E1

General Information

CFW100

CFW300

CFW500

CFW700

CFW11

CFW11M

PUMP GENIUS

CFW700 SINGLE PHASE

CFW08 WASH

CFW501

CFW701

HVVW701

SSW05

SSW07

SSW06

EDP11 EDP700

GPH2

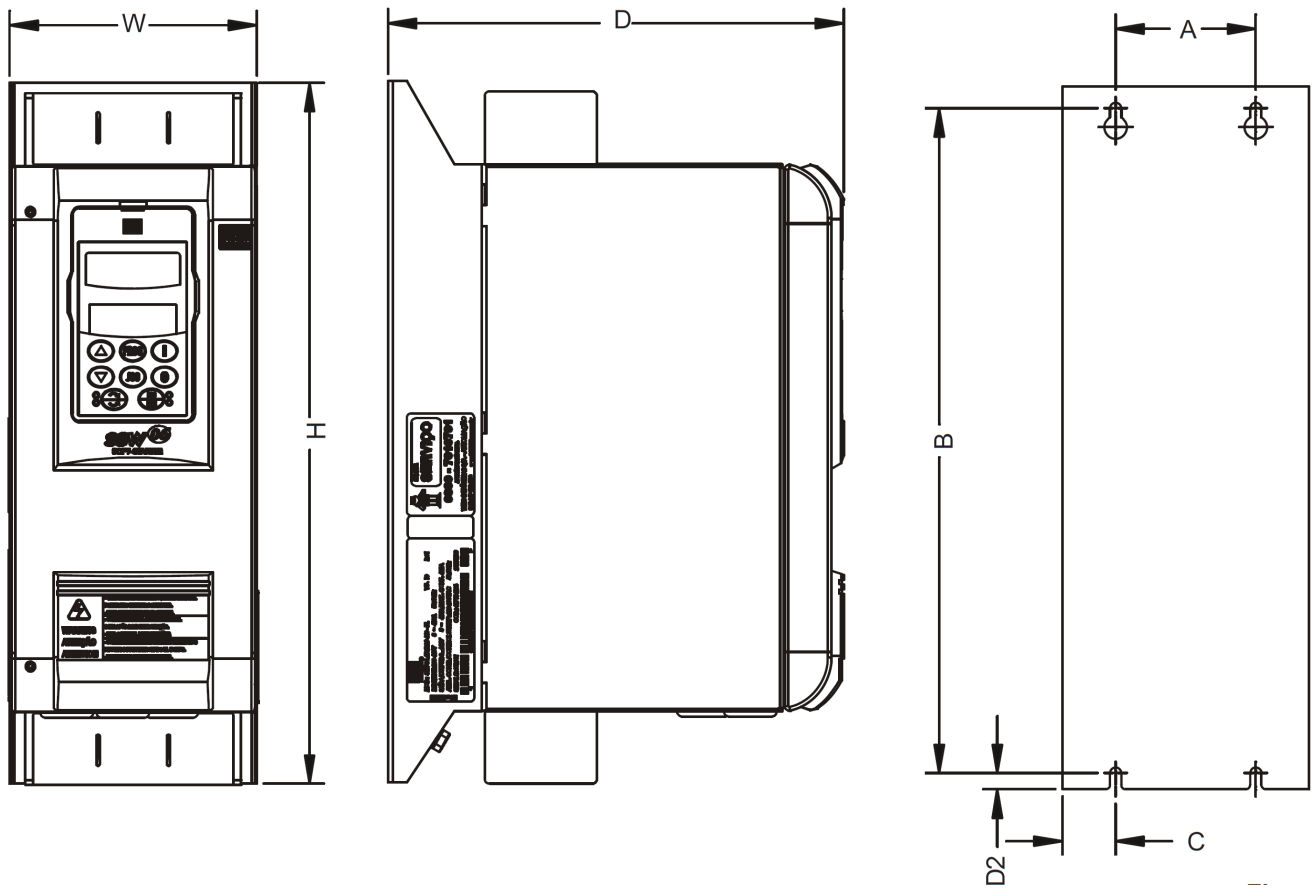
TPH2

SSW06

Dimensions

Frame Size IP00	Height 'H' in. (mm)	Width 'W' in. (mm)	Depth 'D' in. (mm)	'A' in. (mm)	'B' in. (mm)	'C' in. (mm)	'D2' in. (mm)	Mounting Screw in. (metric)	Weight Lbs. (kg)
1 *	10.1 (256)	5.2 (132)	7.2 (182)	3.0 (75)	9.4 (239)	1.10 (28)	0.33 (8.5)	3/16 (M5)	7.3 (3.3)
2	14.6 (370)	5.2 (132)	9.6 (244)	3.0 (75)	13.8 (350)	1.12 (28.5)	0.33 (8.5)	3/16 (M5)	18.5 (8.5)
3	17.3 (440)	8.8 (223)	11.0 (278)	5.9 (150)	16.8 (425)	1.44 (36.5)	0.23 (5.9)	1/4 (M6)	40.8 (18.5)
4	21.7 (550)	14.6 (370)	12.3 (311)	7.9 (200)	20.8 (527.5)	3.35 (85)	0.39 (10)	1/4 (M6)	91.5 (41.5)
5	25.6 (650)	14.6 (370)	13.7 (347)	7.9 (200)	24.7 (627.5)	3.35 (85)	0.39 (10)	1/4 (M6)	121.3 (55)
6	31.3 (795)	21.3 (540)	14.0 (357)	13.8 (350)	30.5 (775)	3.74 (95)	0.29 (7.5)	5/16 (M8)	264.6 (120)
7	33.3 (845)	22.5 (570)	13.7 (347)	15.8 (400)	31.9 (810)	3.31 (84)	0.39 (10)	5/16 (M8)	236 (107)
8	45.2 (1147)	27.0 (685)	17.0 (432)	19.7 (500)	43.7 (1110)	3.66 (93)	0.60 (15)	5/16 (M8)	479.6 (217.5)

* Frame 1 is IP20 protection rating.



Technical Data

Power Supply	Main Voltage	Three-phase 220 - 575VAC (+10%, -15%)		
	Control Voltage	Single-phase 110 - 230 VAC (+10%, -15%), Fan: 110 or 230 VAC only for frame size 4		
	Frequency	50 / 60 Hz (+/- 10 %)		
Enclosure	Metallic Cabinet	IP-00 Degree of Protection		
	Color	Cover: Opaque Gray, Cabinet: Opaque Blue		
Control	Method	Voltage ramp, Current Limit and Pump Control		
	Power Supply	Switched mode		
	CPU	32 bit RISC Microprocessor		
Starting Duty Cycle	Normal	300 % (3 x Rated) for 30 seconds, 10 starts per hour		
	Heavy	450 % (4.5 x Rated) for 30 seconds with 33% current derating		
Control Inputs	Digital	5 X 24 VDC programmable isolated inputs 1 X Motor PTC thermistor		
	Relay	2 programmable outputs 250 VAC / 1A Form A Contact (NO) 1 programmable output 250 VAC / 1A Form C Contact (NO+NC)		
Control Outputs	Analog	1 Programmable Output (11 bits): 0 - 10 VDC 1 programmable output (11 bits) 0 - 20mA or 4 - 20mA		
	Safety	Protections	Under voltage, phase fault or phase imbalance	Excess current limit time
Over temperature			Motor locked rotor	
Motor overload – 1 2 t			Motor over current and under current	
External Fault			Phase sequence	
Copy function error			Control under voltage	
Motor not connected			Opened bypass contactor	
Over voltage			Over current before bypass	
Programming error			Immediate over current during bypass	
Communication errors			Current imbalance	
Keypad connection error			Power supply frequency out of range	
Motor over current			Under current before bypass	
Motor over temperature (via thermistor Input)			Bypass contacts not opened	
Self Diagnosis error				
Functions / Features			Standard	Built-in operator interface, detachable with dual display LED + LCD
	Programming enabling password			
	LCD display Language selection: English, Spanish, German and Portuguese			
	Local / Remote operation selection			
	PUMP CONTROL function (Water hammer protection for pumps)			
	COPY function (Soft-Starter to Keypad or Keypad to Soft-Starter)			
	Soft starter integral bypass contactor			
	FWD / REV Feature via Digital Input (Needs External Contactor)			
	RS-232 Serial Interface			
	Motor PTC thermistor input			
	Programmable line voltage	220 ... 575 VAC		
	Programmable initial (pedestal) voltage	25 ... 90% of Rated Input Voltage		
	Programmable acceleration ramp	1 ... 999 seconds		
	Programmable deceleration ramp	OFF, 1 ... 299 seconds		
	Programmable step down voltage for deceleration	100 ... 40 % of line voltage		
	Programmable starting current limit	OFF, 150 ... 500 % of motor rated current		
	Programmable immediate motor over current	0 ... 99 % above rated current		
	Programmable immediate over current time	OFF, 1 ... 99 seconds		
	Programmable immediate motor under current	0 ... 99 % below rated current		
	Programmable immediate under current time	OFF, 1 ... 99 seconds		
	Programmable starting torque boost, voltage or current (KICK-START)	Level: 70 ...90% of line voltage		
		Level: 300 ... 700% of soft starter rated current		
		Duration: 0.1 ...2 seconds		
	Programmable fault auto-reset	OFF, 1 ... 600 seconds		
	Programmable motor thermal memory auto-reset	OFF, 1 ... 600 seconds		
	Motor thermal overload protection class	0 (disabled); 5; 10; 15; 20; 25; 30; 35; 40; 45		
	Motor Service Factor	0 (disabled); 0.01 ... 1.50		
	Optional	Cable for remote keypad connection (3 to 15ft)		
		Remote keypad mounting frame		

Technical Data

Keypad	Programming / Commands	Start / Stop, Reset and Programming Increase and decrease parameters and their content
	Display readings	Soft-Starter Output current (% of soft starter rated current)
		Motor current (Amps)
		Motor current (% of motor rated current)
		Line frequency (0 ... 99 Hz)
		Line Voltage (0 ... 999VAC)
		Soft starter output voltage (0 - 999VAC)
		Motor active power (kW)
		Motor apparent power (kVA)
		Soft starter status
		Digital and analog I/Os status
		Motor power factor (0.00 - 0.99)
		Time Powered
		Time Enabled
		Four last faults back-up
		Soft starter firmware version
	Motor thermal protection (0 - 250)	
Motor current indication in each phase R-S-T		
Line voltage indication R-S / S-T / T-R		
Ambient	Temperature	0...131 °F (0 ... 55°C): standard operation at rated current
	Humidity	20 ... 90%, non condensing
	Altitude	0...3300 ft (0 ... 1000 m): standard operation at rated current Up to 13300 ft (4000 m): with 10% / 1000 m Output Current De-rating
Certifications	Safety	UL 508 Standard - Industrial Control Equipment
	Low Voltage	EN 60947-4-2 Standard; LVD 73/23/EEC – Low Voltage Directive
	EMC	EMC directive 89 / 336 / EEC - Industrial Environment
	UL (USA) / cUL (Canada)	Underwriters Laboratories Inc. - USA
	CE (EUROPE)	Phoenix Test-Lab / Germany
	C-Tick (Australia)	Australian Communications Authority

EDP11

The Engineered Drive Panel is an industrial general purpose AC motor control and protection package. It is designed for simple and quick installation and start-up, requiring only input power and output motor connections. There are two enclosure variants available such as NEMA 12 ventilated and NEMA 3R for Outdoor Installations.

The Engineered Drive Panel is built to complement the ruggedness and reliability of WEG motors, providing a complete, simple, and cost effective AC motor control, monitor and protection solution.

NEMA 12 Features

- CFW11 Drive
- Indoor Rated
- ED1-ED4: non-ventilated and wall mounted
- ED5: non-ventilated and floor mounted
- ED6-ED9: ventilated and floor mounted
- Circuit Breaker with through door handle
- CFW11 VFD (Dual DC choke built-in)
- Fused 480V/120V CPT
- Internal Fan
- Heat sink through the back
- Motor Terminal Block
- Door mounted keypad
- Start / Stop Pushbuttons
- Run/Fault Pilot Lights
- Keypad cover - same as GPH2
- Drive and controls mounted in NEMA 4 section of panel; heat sink is external and rated NEMA 12

NEMA 3R Features

- NEMA 12 features plus:
- Outdoor Rated
- Weather kit (rain/sun/snow shield)
- Panel space heater + thermostat
- Lightning arrestor
- Service entrance rated



3-Contactor Bypass Option

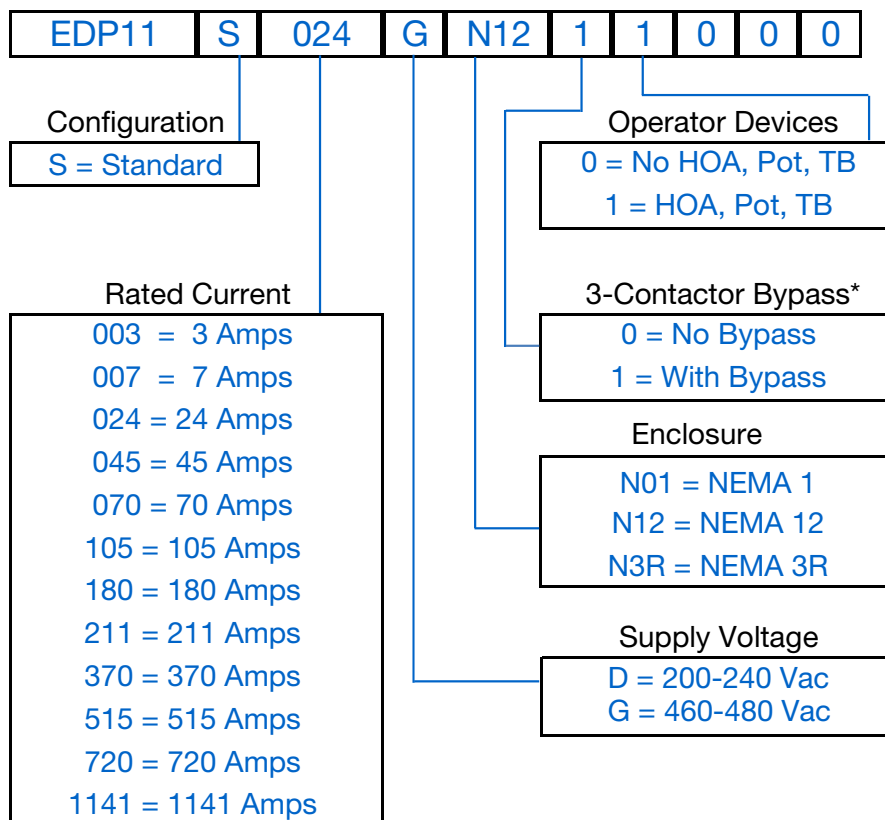
- NEMA 12 or NEMA 3R version
- AC3 full rated by-pass contactor
- Drive input and output contactors
- Motor overload relay
- E-Stop Mushroom style pushbutton
- Enclosure size to be determined

HOA/POT/TB Option

- HOA = Hand-OFF-Auto
- POT = Potentiometer for speed reference of PID setpoint
- TB = Auxiliary control terminal block for remote command



EDP11 Catalog Number Sequence



* By-pass Contactor and Overload is "Full Rated" and mounted adjacent the VFD Table intended as reference only and not to create part numbers.



EDP11

Engineered Drive Panel - NEMA 12 Enclosure (no By-Pass)

General Information

CFW100

CFW300

CFW500

CFW700

CFW11

CFW11M

PUMP GENIUS

CFW700 SINGLE PHASE

CFW08 WASH

CFW501

CFW701

HVW701

SSW05

SSW07

SSW06

EDP11 EDP700

GPH2

TPH2

Motor Voltage	ND / VT1		HD / CT1		Catalog Number	Braking Transistor	Drive Frame Size	Enclosure Frame Size ⁴	Approx. Weight (lbs.) ⁷	List Price	Multiplier
	Motor HP ²	Drive Amps ³	Motor HP ²	Drive Amps ³							
230 Vac	Input Power Supply: Three-Phase 220-240 Vac with Dynamic Braking Transistor										
	2	7.0	1 1/2	5.5	EDP11S007DN12	Yes	A	ED1	36	\$6,690	V1
	3	10	2	8.0	EDP11S010DN12	Yes	A	ED1	36	\$6,756	V1
	5	13	3	11	EDP11S013DN12	Yes	A	ED1	41	\$6,855	V1
	5	16	5	13	EDP11S016DN12	Yes	A	ED1	42	\$7,123	V1
	7 1/2	24	7 1/2	20	EDP11S024DN12	Yes	B	ED1	56	\$7,664	V1
	10	28	10	24	EDP11S028DN12	Yes	B	ED1	56	\$8,408	V1
	10	33.5	10	28	EDP11S033DN12	Yes	B	ED1	56	\$9,108	V1
	15	45	15	36	EDP11S045DN12	Yes	C	ED2	88	\$10,214	V1
	20	54	20	45	EDP11S054DN12	Yes	C	ED2	90	\$11,491	V1
	25	70	20	56	EDP11S070DN12	Yes	C	ED2	100	\$12,162	V1
	30	86	25	70	EDP11S086DN12	Yes	D	ED3	230	\$14,321	V1
	40	105	30	86	EDP11S105DN12	Yes	D	ED3	240	\$17,164	V1
	50	142	40	115	EDP11S142DN12	No	E ⁵	ED4	300	\$19,793	V1
	60	180	50	142	EDP11S180DN12	No	E ⁵	ED4	300	\$25,116	V1
75	211	60	180	EDP11S211DN12	No	E ⁵	ED4	300	\$28,326	V1	
460 Vac	Input Power Supply: Three-Phase 460-480 Vac with Dynamic Braking Transistor										
	2	3.6	2	3.6	EDP11S003GN12	Yes	A	ED1	36	\$6,510	V1
	3	5.0	3	5.0	EDP11S005GN12	Yes	A	ED1	36	\$6,626	V1
	5	7.0	3	5.5	EDP11S007GN12	Yes	A	ED1	41	\$6,690	V1
	7 1/2	10	5	10	EDP11S010GN12	Yes	A	ED1	42	\$6,756	V1
	10	13.5	7 1/2	11	EDP11S013GN12	Yes	A	ED1	42	\$6,855	V1
	10	17	10	13.5	EDP11S017GN12	Yes	B	ED1	56	\$7,269	V1
	15	24	10	19	EDP11S024GN12	Yes	B	ED1	56	\$7,821	V1
	20	31	15	25	EDP11S031GN12	Yes	B	ED1	56	\$8,580	V1
	25	38	20	33	EDP11S038GN12	Yes	C	ED2	90	\$9,293	V1
	30	45	25	38	EDP11S045GN12	Yes	C	ED2	104	\$10,422	V1
	40	58.5	30	47	EDP11S058GN12	Yes	C	ED2	110	\$12,026	V1
	50/60	70.5	40	61	EDP11S070GN12	Yes	D	ED3	240	\$12,729	V1
	75	88	50	73	EDP11S088GN12	Yes	D	ED3	245	\$14,988	V1
	75	105	75	88	EDP11S105GN12	No	E ⁵	ED4	300	\$17,964	V1
	100/125	142	75	115	EDP11S142GN12	No	E ⁵	ED4	300	\$20,715	V1
	150	180	100	142	EDP11S180GN12	No	E ⁵	ED4	300	\$26,286	V1
	175	211	125	180	EDP11S211GN12	No	E ⁵	ED4	300	\$29,645	V1
	200	242	150	211	EDP11S242GN12	No	F ⁵	ED6	700	\$40,755	V1
	250	312	200	242	EDP11S312GN12	No	F ⁵	ED6	720	\$45,114	V1
	300	370	250	312	EDP11S370GN12	No	F ⁵	ED6	750	\$47,743	V1
400	477	300	370	EDP11S477GN12	No	F ⁵	ED6	775	\$54,585	V1	
450	515	400	477	EDP11S515GN12	No	G ⁵	ED8	1100	\$66,023	V1	
500	601	450	515	EDP11S601GN12	No	G ⁵	ED8	1120	\$71,875	V1	
600	720	500	560	EDP11S720GN12	No	G ⁶	ED8	1150	\$88,556	V1	

Notes:

- 1) CT = Constant Torque, 150% overload / 60 sec.; VT = Variable Torque (Quadratic Load), 110% overload / 60 sec.
- 2) "HP" rating based on "average FLA values". Use as a guide only.
- 3) Motor FLA may vary with speed and manufacturer. ALWAYS compare motor FLA to Nominal AMPS of drive.
- 4) ED1 - ED5 enclosures are non-ventilated and wall-mounted; ED6 - ED9 enclosures are ventilated and floor mounted.
- 5) Maximum 45°C ambient temperature without derating
- 6) Maximum 40°C ambient temperature without derating
- 7) Dimensions and weights are for estimating purposes only. Only use "AS BUILT" drawings for construction. For other technical data please refer to WEG product manual.

Variable Frequency Drives



EDP11

Engineered Drive Panel - NEMA 12 Enclosure with By-Pass

Motor Voltage	ND / VT1		HD / CT1		Catalog Number	Braking Transistor	Drive Frame Size	Enclosure Frame Size ⁴	Approx. Weight (lbs.) ⁷	List Price	Multiplier
	Motor HP ²	Drive Amps ³	Motor HP ²	Drive Amps ³							
230 Vac	Input Power Supply: Three-Phase 220-240 Vac with Dynamic Braking Transistor										
	2	7.0	1 1/2	5.5	EDP11S007DN1210000	Yes	A	ED2	36	\$8,200	V1
	3	10	2	8.0	EDP11S010DN1210000	Yes	A	ED2	36	\$8,276	V1
	5	13	3	11	EDP11S013DN1210000	Yes	A	ED2	41	\$8,375	V1
	5	16	5	13	EDP11S016DN1210000	Yes	A	ED2	42	\$8,643	V1
	7 1/2	24	7 1/2	20	EDP11S024DN1210000	Yes	B	ED2	56	\$9,262	V1
	10	28	10	24	EDP11S028DN1210000	Yes	B	ED2	56	\$10,200	V1
	10	33.5	10	28	EDP11S033DN1210000	Yes	B	ED2	56	\$11,011	V1
	15	45	15	36	EDP11S045DN1210000	Yes	C	ED3	88	\$12,316	V1
	20	54	20	45	EDP11S054DN1210000	Yes	C	ED3	90	\$13,738	V1
	25	70	20	56	EDP11S070DN1210000	Yes	C	ED3	100	\$14,857	V1
	30	86	25	70	EDP11S086DN1210000	Yes	D	ED4	230	\$17,016	V1
	40	105	30	86	EDP11S105DN1210000	Yes	D	ED4	240	\$20,052	V1
	50	142	40	115	EDP11S142DN1210000	No	E ⁵	ED5	300	\$24,778	V1
	60	180	50	142	EDP11S180DN1210000	No	E ⁵	ED5	300	\$31,111	V1
75	211	60	180	EDP11S211DN1210000	No	E ⁵	ED5	300	\$35,651	V1	
460 Vac	Input Power Supply: Three-Phase 460-480 Vac with Dynamic Braking Transistor										
	2	3.6	2	3.6	EDP11S003GN1210000	Yes	A	ED2	36	\$8,020	V1
	3	5.0	3	5.0	EDP11S005GN1210000	Yes	A	ED2	36	\$8,136	V1
	5	7.0	3	5.5	EDP11S007GN1210000	Yes	A	ED2	41	\$8,200	V1
	7 1/2	10	5	10	EDP11S010GN1210000	Yes	A	ED2	42	\$8,276	V1
	10	13.5	7 1/2	11	EDP11S013GN1210000	Yes	A	ED2	42	\$8,375	V1
	10	17	10	13.5	EDP11S017GN1210000	Yes	B	ED2	56	\$8,867	V1
	15	24	10	19	EDP11S024GN1210000	Yes	B	ED2	56	\$9,613	V1
	20	31	15	25	EDP11S031GN1210000	Yes	B	ED2	56	\$10,483	V1
	25	38	20	33	EDP11S038GN1210000	Yes	C	ED3	90	\$11,395	V1
	30	45	25	38	EDP11S045GN1210000	Yes	C	ED3	104	\$12,669	V1
	40	58.5	30	47	EDP11S058GN1210000	Yes	C	ED3	110	\$14,721	V1
	50/60	70.5	40	61	EDP11S070GN1210000	Yes	D	ED4	240	\$15,424	V1
	75	88	50	73	EDP11S088GN1210000	Yes	D	ED4	245	\$17,876	V1
	75	105	75	88	EDP11S105GN1210000	No	E ⁵	ED5	300	\$21,308	V1
	100/125	142	75	115	EDP11S142GN1210000	No	E ⁵	ED5	300	\$25,700	V1
	150	180	100	142	EDP11S180GN1210000	No	E ⁵	ED5	300	\$32,281	V1
	175	211	125	180	EDP11S211GN1210000	No	E ⁵	ED5	300	\$36,970	V1
	200	242	150	211	EDP11S242GN1210000	No	F ⁵	ED7	700	\$53,334	V1
	250	312	200	242	EDP11S312GN1210000	No	F ⁵	ED7	720	\$59,257	V1
	300	370	250	312	EDP11S370GN1210000	No	F ⁵	ED7	750	\$62,146	V1
400	477	300	370	EDP11S477GN1210000	No	F ⁵	ED7	775	\$76,618	V1	
450	515	400	477	EDP11S515GN1210000	No	G ⁵	ED9	1100	\$88,056	V1	
500	601	450	515	EDP11S601GN1210000	No	G ⁵	ED9	1120	\$99,447	V1	
600	720	500	560	EDP11S720GN1210000	No	G ⁶	ED9	1150	\$119,944	V1	

Notes:

- 1) CT = Constant Torque, 150% overload / 60 sec.; VT = Variable Torque (Quadratic Load), 110% overload / 60 sec.
- 2) "HP" rating based on "average FLA values". Use as a guide only.
- 3) Motor FLA may vary with speed and manufacturer. ALWAYS compare motor FLA to Nominal AMPS of drive.
- 4) ED1 - ED5 enclosures are non-ventilated and wall-mounted; ED6 - ED9 enclosures are ventilated and floor mounted.
- 5) Maximum 45°C ambient temperature without derating
- 6) Maximum 40°C ambient temperature without derating
- 7) Dimensions and weights are for estimating purposes only. Only use "AS BUILT" drawings for construction. For other technical data please refer to WEG product manual.

Engineered Drive Panel - NEMA 12 Enclosure (no By-Pass) with HOA / Pot / TB

Motor Voltage	ND / VT1		HD / CT1		Catalog Number	Braking Transistor	Drive Frame Size	Enclosure Frame Size ⁴	Approx. Weight (lbs.) ⁷	List Price	Multiplier	
	Motor HP ²	Drive Amps ³	Motor HP	Drive Amps ³								
230 Vac	Input Power Supply: Three-Phase 220-240 Vac with Dynamic Braking Transistor											
	2	7.0	1 1/2	5.5	EDP11S007DN1201000	Yes	A	ED1	36	\$7,453	V1	
	3	10	2	8.0	EDP11S010DN1201000	Yes	A	ED1	36	\$7,519	V1	
	5	13	3	11	EDP11S013DN1201000	Yes	A	ED1	41	\$7,618	V1	
	5	16	5	13	EDP11S016DN1201000	Yes	A	ED1	42	\$7,886	V1	
	7 1/2	24	7 1/2	20	EDP11S024DN1201000	Yes	B	ED1	56	\$8,427	V1	
	10	28	10	24	EDP11S028DN1201000	Yes	B	ED1	56	\$9,171	V1	
	10	33.5	10	28	EDP11S033DN1201000	Yes	B	ED1	56	\$9,871	V1	
	15	45	15	36	EDP11S045DN1201000	Yes	C	ED2	88	\$10,977	V1	
	20	54	20	45	EDP11S054DN1201000	Yes	C	ED2	90	\$12,254	V1	
	25	70	20	56	EDP11S070DN1201000	Yes	C	ED2	100	\$12,925	V1	
	30	86	25	70	EDP11S086DN1201000	Yes	D	ED3	230	\$15,084	V1	
	40	105	30	86	EDP11S105DN1201000	Yes	D	ED3	240	\$17,927	V1	
	50	142	40	115	EDP11S142DN1201000	No	E ⁵	ED4	300	\$20,556	V1	
	60	180	50	142	EDP11S180DN1201000	No	E ⁵	ED4	300	\$25,879	V1	
	75	211	60	180	EDP11S211DN1201000	No	E ⁵	ED4	300	\$29,089	V1	
	460 Vac	Input Power Supply: Three-Phase 460-480 Vac with Dynamic Braking Transistor										
2		3.6	2	3.6	EDP11S003GN1201000	Yes	A	ED1	36	\$7,273	V1	
3		5.0	3	5.0	EDP11S005GN1201000	Yes	A	ED1	36	\$7,389	V1	
5		7.0	3	5.5	EDP11S007GN1201000	Yes	A	ED1	41	\$7,453	V1	
7 1/2		10	5	10	EDP11S010GN1201000	Yes	A	ED1	42	\$7,519	V1	
10		13.5	7 1/2	11	EDP11S013GN1201000	Yes	A	ED1	42	\$7,618	V1	
10		17	10	13.5	EDP11S017GN1201000	Yes	B	ED1	56	\$8,032	V1	
15		24	10	19	EDP11S024GN1201000	Yes	B	ED1	56	\$8,584	V1	
20		31	15	25	EDP11S031GN1201000	Yes	B	ED1	56	\$9,343	V1	
25		38	20	33	EDP11S038GN1201000	Yes	C	ED2	90	\$10,056	V1	
30		45	25	38	EDP11S045GN1201000	Yes	C	ED2	104	\$11,185	V1	
40		58.5	30	47	EDP11S058GN1201000	Yes	C	ED2	110	\$12,789	V1	
50/60		70.5	40	61	EDP11S070GN1201000	Yes	D	ED3	240	\$13,492	V1	
75		88	50	73	EDP11S088GN1201000	Yes	D	ED3	245	\$15,751	V1	
75		105	75	88	EDP11S105GN1201000	No	E ⁵	ED4	300	\$18,727	V1	
100/125		142	75	115	EDP11S142GN1201000	No	E ⁵	ED4	300	\$21,478	V1	
150		180	100	142	EDP11S180GN1201000	No	E ⁵	ED4	300	\$27,049	V1	
175		211	125	180	EDP11S211GN1201000	No	E ⁵	ED4	300	\$30,408	V1	
200		242	150	211	EDP11S242GN1201000	No	F ⁵	ED6	700	\$41,613	V1	
250		312	200	242	EDP11S312GN1201000	No	F ⁵	ED6	720	\$45,972	V1	
300		370	250	312	EDP11S370GN1201000	No	F ⁵	ED6	750	\$48,601	V1	
400		477	300	370	EDP11S477GN1201000	No	F ⁵	ED6	775	\$55,443	V1	
450		515	400	477	EDP11S515GN1201000	No	G ⁵	ED8	1100	\$66,881	V1	
500	601	450	515	EDP11S601GN1201000	No	G ⁵	ED8	1120	\$72,733	V1		
600	720	500	560	EDP11S720GN1201000	No	G ⁶	ED8	1150	\$89,414	V1		

Notes:

- 1) CT = Constant Torque, 150% overload / 60 sec.; VT = Variable Torque (Quadratic Load), 110% overload / 60 sec.
- 2) "HP" rating based on "average FLA values". Use as a guide only.
- 3) Motor FLA may vary with speed and manufacturer. ALWAYS compare motor FLA to Nominal AMPS of drive.
- 4) ED1 - ED5 enclosures are non-ventilated and wall-mounted; ED6 - ED9 enclosures are ventilated and floor mounted.
- 5) Maximum 45°C ambient temperature without derating
- 6) Maximum 40°C ambient temperature without derating
- 7) Dimensions and weights are for estimating purposes only. Only use "AS BUILT" drawings for construction. For other technical data please refer to WEG product manual.

General Information
 CFW100 CFW300 CFW500 CFW700 CFW11
 PUMP GENIUS
 CFW700 SINGLE PHASE
 CFW08 WASH
 CFW501
 CFW701
 HW701
 SSW05
 SSW07
 SSW06
 EDP11 EDP700
 GPH2
 TPH2

Variable Frequency Drives



EDP11 Engineered Drive Panel - NEMA 12 Enclosure with By-Pass and HOA / Pot / TB

Motor Voltage	ND / VT1		HD / CT1		Catalog Number	Braking Transistor	Drive Frame Size	Enclosure Frame Size ⁴	Approx. Weight (lbs.) ⁷	List Price	Multiplier
	Motor HP ²	Drive Amps ³	Motor HP ²	Drive Amps ³							
230 Vac	Input Power Supply: Three-Phase 220-240 Vac with Dynamic Braking Transistor										
	2	7.0	1 1/2	5.5	EDP11S007DN1211000	Yes	A	ED2	36	\$8,963	V1
	3	10	2	8.0	EDP11S010DN1211000	Yes	A	ED2	36	\$9,039	V1
	5	13	3	11	EDP11S013DN1211000	Yes	A	ED2	41	\$9,138	V1
	5	16	5	13	EDP11S016DN1211000	Yes	A	ED2	42	\$9,406	V1
	7 1/2	24	7 1/2	20	EDP11S024DN1211000	Yes	B	ED2	56	\$10,025	V1
	10	28	10	24	EDP11S028DN1211000	Yes	B	ED2	56	\$10,963	V1
	10	33.5	10	28	EDP11S033DN1211000	Yes	B	ED2	56	\$11,774	V1
	15	45	15	36	EDP11S045DN1211000	Yes	C	ED3	88	\$13,079	V1
	20	54	20	45	EDP11S054DN1211000	Yes	C	ED3	90	\$14,501	V1
	25	70	20	56	EDP11S070DN1211000	Yes	C	ED3	100	\$15,620	V1
	30	86	25	70	EDP11S086DN1211000	Yes	D	ED4	230	\$17,779	V1
	40	105	30	86	EDP11S105DN1211000	Yes	D	ED4	240	\$20,815	V1
	50	142	40	115	EDP11S142DN1211000	No	E ⁵	ED5	300	\$25,541	V1
	60	180	50	142	EDP11S180DN1211000	No	E ⁵	ED5	300	\$31,874	V1
75	211	60	180	EDP11S211DN1211000	No	E ⁵	ED5	300	\$36,414	V1	
460 Vac	Input Power Supply: Three-Phase 460-480 Vac with Dynamic Braking Transistor										
	2	3.6	2	3.6	EDP11S003GN1211000	Yes	A	ED2	36	\$8,783	V1
	3	5.0	3	5.0	EDP11S005GN1211000	Yes	A	ED2	36	\$8,899	V1
	5	7.0	3	5.5	EDP11S007GN1211000	Yes	A	ED2	41	\$8,963	V1
	7 1/2	10	5	10	EDP11S010GN1211000	Yes	A	ED2	42	\$9,039	V1
	10	13.5	7 1/2	11	EDP11S013GN1211000	Yes	A	ED2	42	\$9,138	V1
	10	17	10	13.5	EDP11S017GN1211000	Yes	B	ED2	56	\$9,630	V1
	15	24	10	19	EDP11S024GN1211000	Yes	B	ED2	56	\$10,376	V1
	20	31	15	25	EDP11S031GN1211000	Yes	B	ED2	56	\$11,246	V1
	25	38	20	33	EDP11S038GN1211000	Yes	C	ED3	90	\$12,158	V1
	30	45	25	38	EDP11S045GN1211000	Yes	C	ED3	104	\$13,432	V1
	40	58.5	30	47	EDP11S058GN1211000	Yes	C	ED3	110	\$15,484	V1
	50/60	70.5	40	61	EDP11S070GN1211000	Yes	D	ED4	240	\$16,187	V1
	75	88	50	73	EDP11S088GN1211000	Yes	D	ED4	245	\$18,639	V1
	75	105	75	88	EDP11S105GN1211000	No	E ⁵	ED5	300	\$22,071	V1
	100/125	142	75	115	EDP11S142GN1211000	No	E ⁵	ED5	300	\$26,463	V1
	150	180	100	142	EDP11S180GN1211000	No	E ⁵	ED5	300	\$33,044	V1
	175	211	125	180	EDP11S211GN1211000	No	E ⁵	ED5	300	\$37,733	V1
	200	242	150	211	EDP11S242GN1211000	No	F ⁵	ED7	700	\$54,097	V1
	250	312	200	242	EDP11S312GN1211000	No	F ⁵	ED7	720	\$60,115	V1
	300	370	250	312	EDP11S370GN1211000	No	F ⁵	ED7	750	\$63,004	V1
400	477	300	370	EDP11S477GN1211000	No	F ⁵	ED7	775	\$77,476	V1	
450	515	400	477	EDP11S515GN1211000	No	G ⁵	ED9	1100	\$88,914	V1	
500	601	450	515	EDP11S601GN1211000	No	G ⁵	ED9	1120	\$100,305	V1	
600	720	500	560	EDP11S720GN1211000	No	G ⁶	ED9	1150	\$120,802	V1	

Notes:
 1) CT = Constant Torque, 150% overload / 60 sec.; VT = Variable Torque (Quadratic Load), 110% overload / 60 sec.
 2) "HP" rating based on "average FLA values". Use as a guide only.
 3) Motor FLA may vary with speed and manufacturer. ALWAYS compare motor FLA to Nominal AMPS of drive.

4) ED1 - ED5 enclosures are non-ventilated and wall-mounted; ED6 - ED9 enclosures are ventilated and floor mounted.
 5) Maximum 45°C ambient temperature without derating
 6) Maximum 40°C ambient temperature without derating
 7) Dimensions and weights are for estimating purposes only. Only use "AS BUILT" drawings for construction.

For other technical data please refer to WEG product manual. Data is subject to change without notice.



General Information

CFW100

CFW300

CFW500

CFW700

CFW11

CFW11M

PUMP GENIUS

CFW700 SINGLE PHASE

CFW08 WASH

CFW501

CFW701

HVW701

SSW05

SSW07

SSW06

EDP11 EDP700

GPH2

TPH2

Engineered Drive Panel - NEMA 3R Enclosure (no By-Pass)

Motor Voltage	ND / VT1		HD / CT1		Catalog Number	Braking Transistor	Drive Frame Size	Enclosure Frame Size ⁴	Approx. Weight (lbs.) ⁷	List Price	Multiplier
	Motor HP ²	Drive Amps ³	Motor HP 2	Drive Amps ³							
230 Vac	Input Power Supply: Three-Phase 220-240 Vac with Dynamic Braking Transistor										
	2	7.0	1 1/2	5.5	EDP11S007DN3R	Yes	A ⁵	ED1	36	\$8,521	V1
	3	10	2	8.0	EDP11S010DN3R	Yes	A ⁵	ED1	36	\$8,587	V1
	5	13	3	11	EDP11S013DN3R	Yes	A ⁵	ED1	41	\$8,686	V1
	5	16	5	13	EDP11S016DN3R	Yes	A ⁵	ED1	42	\$8,918	V1
	7 1/2	24	7 1/2	20	EDP11S024DN3R	Yes	B ⁵	ED1	56	\$9,459	V1
	10	28	10	24	EDP11S028DN3R	Yes	B ⁵	ED1	56	\$10,202	V1
	10	33.5	10	28	EDP11S033DN3R	Yes	B ⁵	ED1	56	\$10,902	V1
	15	45	15	36	EDP11S045DN3R	Yes	C ⁵	ED2	88	\$12,122	V1
	20	54	20	45	EDP11S054DN3R	Yes	C ⁵	ED2	90	\$13,400	V1
	25	70	20	56	EDP11S070DN3R	Yes	C ⁵	ED2	100	\$14,162	V1
	30	86	25	70	EDP11S086DN3R	Yes	D ⁵	ED3	230	\$16,320	V1
	40	105	30	86	EDP11S105DN3R	Yes	D ⁵	ED3	240	\$19,338	V1
	50	142	40	115	EDP11S142DN3R	No	E ⁶	ED4	300	\$21,967	V1
	60	180	50	142	EDP11S180DN3R	No	E ⁶	ED4	300	\$27,290	V1
75	211	60	180	EDP11S211DN3R	No	E ⁶	ED4	300	\$30,499	V1	
460 Vac	Input Power Supply: Three-Phase 460-480 Vac with Dynamic Braking Transistor										
	2	3.6	2	3.6	EDP11S003GN3R	Yes	A ⁵	ED1	36	\$8,341	V1
	3	5.0	3	5.0	EDP11S005GN3R	Yes	A ⁵	ED1	36	\$8,457	V1
	5	7.0	3	5.5	EDP11S007GN3R	Yes	A ⁵	ED1	41	\$8,521	V1
	7 1/2	10	5	10	EDP11S010GN3R	Yes	A ⁵	ED1	42	\$8,587	V1
	10	13.5	7 1/2	11	EDP11S013GN3R	Yes	A ⁵	ED1	42	\$8,686	V1
	10	17	10	13.5	EDP11S017GN3R	Yes	B ⁵	ED1	56	\$9,100	V1
	15	24	10	19	EDP11S024GN3R	Yes	B ⁵	ED1	56	\$9,652	V1
	20	31	15	25	EDP11S031GN3R	Yes	B ⁵	ED1	56	\$10,411	V1
	25	38	20	33	EDP11S038GN3R	Yes	C ⁵	ED2	90	\$11,125	V1
	30	45	25	38	EDP11S045GN3R	Yes	C ⁵	ED2	104	\$12,369	V1
	40	58.5	30	47	EDP11S058GN3R	Yes	C ⁵	ED2	110	\$13,673	V1
	50/60	70.5	40	61	EDP11S070GN3R	Yes	D ⁵	ED3	240	\$14,451	V1
	75	88	50	73	EDP11S088GN3R	Yes	D ⁵	ED3	245	\$16,653	V1
	75	105	75	88	EDP11S105GN3R	No	E ⁶	ED4	300	\$19,733	V1
	100/125	142	75	115	EDP11S142GN3R	No	E ⁶	ED4	300	\$22,415	V1
	150	180	100	142	EDP11S180GN3R	No	E ⁶	ED4	300	\$27,847	V1
	175	211	125	180	EDP11S211GN3R	No	E ⁶	ED4	300	\$31,122	V1
	200	242	150	211	EDP11S242GN3R	No	F ⁶	ED6	700	\$45,693	V1
	250	312	200	242	EDP11S312GN3R	No	F ⁶	ED6	720	\$50,053	V1
300	370	250	312	EDP11S370GN3R	No	F ⁶	ED6	750	\$52,682	V1	
400	477	300	370	EDP11S477GN3R	No	F ⁶	ED6	775	\$59,523	V1	
450	515	400	477	EDP11S515GN3R	No	G ⁶	ED8	1100	\$71,976	V1	
500	601	450	515	EDP11S601GN3R	No	G ⁶	ED8	1120	\$77,828	V1	
600	720	500	560	EDP11S720GN3R	No	G ⁷	ED8	1150	\$94,509	V1	

Notes:

- 1) CT = Constant Torque, 150% overload / 60 sec.; VT = Variable Torque (Quadratic Load), 110% overload / 60 sec.
- 2) "HP" rating based on "average FLA values". Use as a guide only.
- 3) Motor FLA may vary with speed and manufacturer. ALWAYS compare motor FLA to Nominal AMPS of drive.
- 4) ED1 - ED4 enclosures are non-ventilated and wall-mounted; ED6 - ED9 enclosures are ventilated and floor mounted.
- 5) Maximum 45°C ambient temperature without derating
- 6) Maximum 40°C ambient temperature without derating
- 7) Maximum 38°C ambient temperature without derating
- 8) Dimensions and weights are for estimating purposes only. Only use "AS BUILT" drawings for construction. For other technical data please refer to WEG product manual.

Variable Frequency Drives



EDP11

Engineered Drive Panel - NEMA 3R Enclosure with By-Pass

Motor Voltage	ND / VT1		HD / CT1		Catalog Number	Braking Transistor	Drive Frame Size	Enclosure Frame Size ⁴	Approx. Weight (lbs.) ⁷	List Price	Multiplier	
	Motor HP ²	Drive Amps ³	Motor HP ²	Drive Amps ³								
230 Vac	Input Power Supply: Three-Phase 220-240 Vac with Dynamic Braking Transistor											
		2	7.0	1 1/2	5.5	EDP11S007DN3R10000	Yes	A ⁵	ED2	36	\$10,031	V1
		3	10	2	8.0	EDP11S010DN3R10000	Yes	A ⁵	ED2	36	\$10,107	V1
		5	13	3	11	EDP11S013DN3R10000	Yes	A ⁵	ED2	41	\$10,206	V1
		5	16	5	13	EDP11S016DN3R10000	Yes	A ⁵	ED2	42	\$10,438	V1
		7 1/2	24	7 1/2	20	EDP11S024DN3R10000	Yes	B ⁵	ED2	56	\$11,057	V1
		10	28	10	24	EDP11S028DN3R10000	Yes	B ⁵	ED2	56	\$11,994	V1
		10	33.5	10	28	EDP11S033DN3R10000	Yes	B ⁵	ED2	56	\$12,805	V1
		15	45	15	36	EDP11S045DN3R10000	Yes	C ⁵	ED3	88	\$14,224	V1
		20	54	20	45	EDP11S054DN3R10000	Yes	C ⁵	ED3	90	\$15,647	V1
		25	70	20	56	EDP11S070DN3R10000	Yes	C ⁵	ED3	100	\$16,857	V1
		30	86	25	70	EDP11S086DN3R10000	Yes	D ⁵	ED4	230	\$19,015	V1
		40	105	30	86	EDP11S105DN3R10000	Yes	D ⁵	ED4	240	\$22,226	V1
		50	142	40	115	EDP11S142DN3R10000	No	E ⁶	ED5	300	\$26,952	V1
		60	180	50	142	EDP11S180DN3R10000	No	E ⁶	ED5	300	\$33,285	V1
		75	211	60	180	EDP11S211DN3R10000	No	E ⁶	ED5	300	\$37,824	V1
460 Vac	Input Power Supply: Three-Phase 460-480 Vac with Dynamic Braking Transistor											
		2	3.6	2	3.6	EDP11S003GN3R10000	Yes	A ⁵	ED2	36	\$9,851	V1
		3	5.0	3	5.0	EDP11S005GN3R10000	Yes	A ⁵	ED2	36	\$9,967	V1
		5	7.0	3	5.5	EDP11S007GN3R10000	Yes	A ⁵	ED2	41	\$10,031	V1
		7 1/2	10	5	10	EDP11S010GN3R10000	Yes	A ⁵	ED2	42	\$10,107	V1
		10	13.5	7 1/2	11	EDP11S013GN3R10000	Yes	A ⁵	ED2	42	\$10,206	V1
		10	17	10	13.5	EDP11S017GN3R10000	Yes	B ⁵	ED2	56	\$10,698	V1
		15	24	10	19	EDP11S024GN3R10000	Yes	B ⁵	ED2	56	\$11,444	V1
		20	31	15	25	EDP11S031GN3R10000	Yes	B ⁵	ED2	56	\$12,314	V1
		25	38	20	33	EDP11S038GN3R10000	Yes	C ⁵	ED3	90	\$13,227	V1
		30	45	25	38	EDP11S045GN3R10000	Yes	C ⁵	ED3	104	\$14,616	V1
		40	58.5	30	47	EDP11S058GN3R10000	Yes	C ⁵	ED3	110	\$16,368	V1
		50/60	70.5	40	61	EDP11S070GN3R10000	Yes	D ⁵	ED4	240	\$17,146	V1
		75	88	50	73	EDP11S088GN3R10000	Yes	D ⁵	ED4	245	\$19,541	V1
		75	105	75	88	EDP11S105GN3R10000	No	E ⁶	ED5	300	\$23,077	V1
		100/125	142	75	115	EDP11S142GN3R10000	No	E ⁶	ED5	300	\$27,400	V1
		150	180	100	142	EDP11S180GN3R10000	No	E ⁶	ED5	300	\$33,842	V1
		175	211	125	180	EDP11S211GN3R10000	No	E ⁶	ED5	300	\$38,447	V1
		200	242	150	211	EDP11S242GN3R10000	No	F ⁶	ED7	700	\$58,272	V1
		250	312	200	242	EDP11S312GN3R10000	No	F ⁶	ED7	720	\$64,196	V1
	300	370	250	312	EDP11S370GN3R10000	No	F ⁶	ED7	750	\$67,085	V1	
	400	477	300	370	EDP11S477GN3R10000	No	F ⁶	ED7	775	\$81,556	V1	
	450	515	400	477	EDP11S515GN3R10000	No	G ⁶	ED9	1100	\$94,009	V1	
	500	601	450	515	EDP11S601GN3R10000	No	G ⁶	ED9	1120	\$105,400	V1	
	600	720	500	560	EDP11S720GN3R10000	No	G ⁷	ED9	1150	\$125,897	V1	

Notes:

- 1) CT = Constant Torque, 150% overload / 60 sec.; VT = Variable Torque (Quadratic Load), 110% overload / 60 sec.
- 2) "HP" rating based on "average FLA values". Use as a guide only.
- 3) Motor FLA may vary with speed and manufacturer. ALWAYS compare motor FLA to Nominal AMPS of drive.
- 4) ED1 - ED4 enclosures are non-ventilated and wall-mounted; ED6 - ED9 enclosures are ventilated and floor mounted.
- 5) Maximum 45°C ambient temperature without derating
- 6) Maximum 40°C ambient temperature without derating
- 7) Maximum 38°C ambient temperature without derating
- 8) Dimensions and weights are for estimating purposes only. Only use "AS BUILT" drawings for construction. For other technical data please refer to WEG product manual.

General Information
CFW100
CFW300
CFW500
CFW700
CFW11
CFW11M
PUMP GENIUS
CFW700 SINGLE PHASE
CFW08 WASH
CFW501
CFW701
HVV701
SSW05
SSW07
SSW06
EDP11 EDP700
GPH2
TPH2

Engineered Drive Panel - NEMA 3R Enclosure (no By-Pass) with HOA / Pot / TB

Motor Voltage	ND / VT1		HD / CT1		Catalog Number	Braking Transistor	Drive Frame Size	Enclosure Frame Size ⁴	Approx. Weight (lbs.) ⁷	List Price	Multiplier
	Motor HP ²	Drive Amps ³	Motor HP ²	Drive Amps ³							
230 Vac	Input Power Supply: Three-Phase 220-240 Vac with Dynamic Braking Transistor										
	2	7.0	1 1/2	5.5	EDP11S007DN3R01000	Yes	A ⁵	ED1	36	\$9,284	V1
	3	10	2	8.0	EDP11S010DN3R01000	Yes	A ⁵	ED1	36	\$9,350	V1
	5	13	3	11	EDP11S013DN3R01000	Yes	A ⁵	ED1	41	\$9,449	V1
	5	16	5	13	EDP11S016DN3R01000	Yes	A ⁵	ED1	42	\$9,681	V1
	7 1/2	24	7 1/2	20	EDP11S024DN3R01000	Yes	B ⁵	ED1	56	\$10,222	V1
	10	28	10	24	EDP11S028DN3R01000	Yes	B ⁵	ED1	56	\$10,965	V1
	10	33.5	10	28	EDP11S033DN3R01000	Yes	B ⁵	ED1	56	\$11,665	V1
	15	45	15	36	EDP11S045DN3R01000	Yes	C ⁵	ED2	88	\$12,885	V1
	20	54	20	45	EDP11S054DN3R01000	Yes	C ⁵	ED2	90	\$14,163	V1
	25	70	20	56	EDP11S070DN3R01000	Yes	C ⁵	ED2	100	\$14,925	V1
	30	86	25	70	EDP11S086DN3R01000	Yes	D ⁵	ED3	230	\$17,083	V1
	40	105	30	86	EDP11S105DN3R01000	Yes	D ⁵	ED3	240	\$20,101	V1
	50	142	40	115	EDP11S142DN3R01000	No	E ⁶	ED4	300	\$22,730	V1
	60	180	50	142	EDP11S180DN3R01000	No	E ⁶	ED4	300	\$28,053	V1
	75	211	60	180	EDP11S211DN3R01000	No	E ⁶	ED4	300	\$31,262	V1
460 Vac	Input Power Supply: Three-Phase 460-480 Vac with Dynamic Braking Transistor										
	2	3.6	2	3.6	EDP11S003GN3R01000	Yes	A ⁵	ED1	36	\$9,104	V1
	3	5.0	3	5.0	EDP11S005GN3R01000	Yes	A ⁵	ED1	36	\$9,220	V1
	5	7.0	3	5.5	EDP11S007GN3R01000	Yes	A ⁵	ED1	41	\$9,284	V1
	7 1/2	10	5	10	EDP11S010GN3R01000	Yes	A ⁵	ED1	42	\$9,350	V1
	10	13.5	7 1/2	11	EDP11S013GN3R01000	Yes	A ⁵	ED1	42	\$9,449	V1
	10	17	10	13.5	EDP11S017GN3R01000	Yes	B ⁵	ED1	56	\$9,863	V1
	15	24	10	19	EDP11S024GN3R01000	Yes	B ⁵	ED1	56	\$10,415	V1
	20	31	15	25	EDP11S031GN3R01000	Yes	B ⁵	ED1	56	\$11,174	V1
	25	38	20	33	EDP11S038GN3R01000	Yes	C ⁵	ED2	90	\$11,888	V1
	30	45	25	38	EDP11S045GN3R01000	Yes	C ⁵	ED2	104	\$13,132	V1
	40	58.5	30	47	EDP11S058GN3R01000	Yes	C ⁵	ED2	110	\$14,436	V1
	50/60	70.5	40	61	EDP11S070GN3R01000	Yes	D ⁵	ED3	240	\$15,214	V1
	75	88	50	73	EDP11S088GN3R01000	Yes	D ⁵	ED3	245	\$17,416	V1
	75	105	75	88	EDP11S105GN3R01000	No	E ⁶	ED4	300	\$20,496	V1
	100/125	142	75	115	EDP11S142GN3R01000	No	E ⁶	ED4	300	\$23,178	V1
	150	180	100	142	EDP11S180GN3R01000	No	E ⁶	ED4	300	\$28,610	V1
	175	211	125	180	EDP11S211GN3R01000	No	E ⁶	ED4	300	\$31,885	V1
	200	242	150	211	EDP11S242GN3R01000	No	F ⁶	ED6	700	\$46,456	V1
	250	312	200	242	EDP11S312GN3R01000	No	F ⁶	ED6	720	\$50,911	V1
	300	370	250	312	EDP11S370GN3R01000	No	F ⁶	ED6	750	\$53,540	V1
	400	477	300	370	EDP11S477GN3R01000	No	F ⁶	ED6	775	\$60,381	V1
450	515	400	477	EDP11S515GN3R01000	No	G ⁶	ED8	1100	\$72,834	V1	
500	601	450	515	EDP11S601GN3R01000	No	G ⁶	ED8	1120	\$78,686	V1	
600	720	500	560	EDP11S720GN3R01000	No	G ⁷	ED8	1150	\$95,367	V1	

Notes:

- 1) CT = Constant Torque, 150% overload / 60 sec.; VT = Variable Torque (Quadratic Load), 110% overload / 60 sec.
- 2) "HP" rating based on "average FLA values". Use as a guide only.
- 3) Motor FLA may vary with speed and manufacturer. ALWAYS compare motor FLA to Nominal AMPS of drive.
- 4) ED1 - ED4 enclosures are non-ventilated and wall-mounted; ED6 - ED9 enclosures are ventilated and floor mounted.
- 5) Maximum 45°C ambient temperature without derating
- 6) Maximum 40°C ambient temperature without derating
- 7) Maximum 38°C ambient temperature without derating
- 8) Dimensions and weights are for estimating purposes only. Only use "AS BUILT" drawings for construction. For other technical data please refer to WEG product manual.

Variable Frequency Drives



EDP11

Engineered Drive Panel - NEMA 3R Enclosure with By-Pass and HOA / Pot / TB

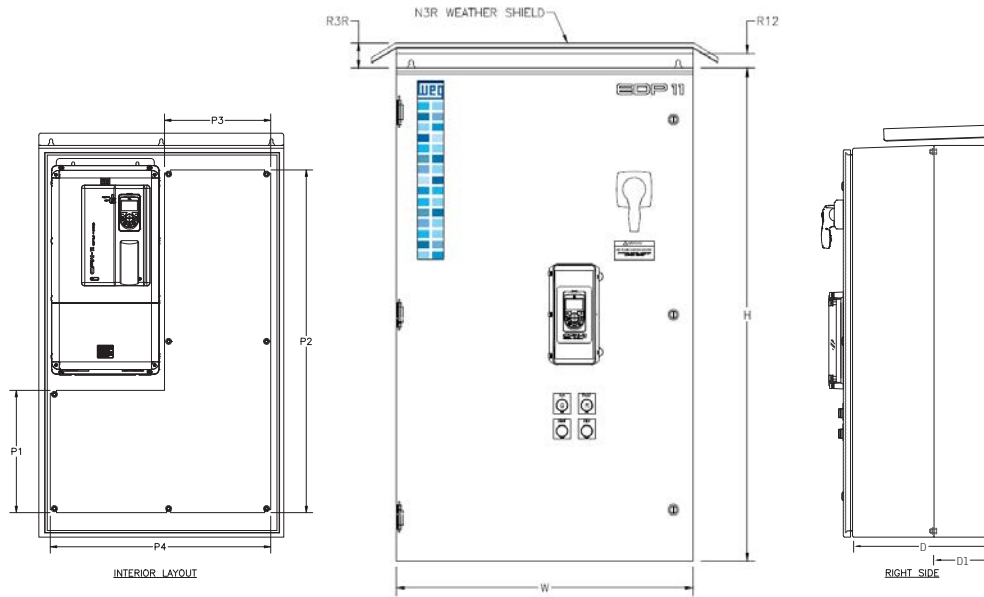
Motor Voltage	ND / VT ¹		HD / CT ¹		Catalog Number	Braking Transistor	Drive Frame Size	Enclosure Frame Size ⁴	Approx. Weight (lbs.) ⁷	List Price	Multiplier	
	Motor HP ²	Drive Amps ³	Motor HP ²	Drive Amps ³								
230 Vac	Input Power Supply: Three-Phase 220-240 Vac with Dynamic Braking Transistor											
		2	7.0	1 1/2	5.5	EDP11S007DN3R11000	Yes	A ⁵	ED2	36	\$10,794	V1
		3	10	2	8.0	EDP11S010DN3R11000	Yes	A ⁵	ED2	36	\$10,870	V1
		5	13	3	11	EDP11S013DN3R11000	Yes	A ⁵	ED2	41	\$10,969	V1
		5	16	5	13	EDP11S016DN3R11000	Yes	A ⁵	ED2	42	\$11,201	V1
		7 1/2	24	7 1/2	20	EDP11S024DN3R11000	Yes	B ⁵	ED2	56	\$11,820	V1
		10	28	10	24	EDP11S028DN3R11000	Yes	B ⁵	ED2	56	\$12,757	V1
		10	33.5	10	28	EDP11S033DN3R11000	Yes	B ⁵	ED2	56	\$13,568	V1
		15	45	15	36	EDP11S045DN3R11000	Yes	C ⁵	ED3	88	\$14,987	V1
		20	54	20	45	EDP11S054DN3R11000	Yes	C ⁵	ED3	90	\$16,410	V1
		25	70	20	56	EDP11S070DN3R11000	Yes	C ⁵	ED3	100	\$17,620	V1
		30	86	25	70	EDP11S086DN3R11000	Yes	D ⁵	ED4	230	\$19,778	V1
		40	105	30	86	EDP11S105DN3R11000	Yes	D ⁵	ED4	240	\$22,989	V1
		50	142	40	115	EDP11S142DN3R11000	No	E ⁶	ED5	300	\$27,715	V1
		60	180	50	142	EDP11S180DN3R11000	No	E ⁶	ED5	300	\$34,048	V1
		75	211	60	180	EDP11S211DN3R11000	No	E ⁶	ED5	300	\$38,587	V1
	460 Vac	Input Power Supply: Three-Phase 460-480 Vac with Dynamic Braking Transistor										
		2	3.6	2	3.6	EDP11S003GN3R11000	Yes	A ⁵	ED2	36	\$10,614	V1
		3	5.0	3	5.0	EDP11S005GN3R11000	Yes	A ⁵	ED2	36	\$10,730	V1
		5	7.0	3	5.5	EDP11S007GN3R11000	Yes	A ⁵	ED2	41	\$10,794	V1
		7 1/2	10	5	10	EDP11S010GN3R11000	Yes	A ⁵	ED2	42	\$10,870	V1
		10	13.5	7 1/2	11	EDP11S013GN3R11000	Yes	A ⁵	ED2	42	\$10,969	V1
		10	17	10	13.5	EDP11S017GN3R11000	Yes	B ⁵	ED2	56	\$11,461	V1
		15	24	10	19	EDP11S024GN3R11000	Yes	B ⁵	ED2	56	\$12,207	V1
		20	31	15	25	EDP11S031GN3R11000	Yes	B ⁵	ED2	56	\$13,077	V1
		25	38	20	33	EDP11S038GN3R11000	Yes	C ⁵	ED3	90	\$13,873	V1
		30	45	25	38	EDP11S045GN3R11000	Yes	C ⁵	ED3	104	\$15,233	V1
		40	58.5	30	47	EDP11S058GN3R11000	Yes	C ⁵	ED3	110	\$16,683	V1
		50/60	70.5	40	61	EDP11S070GN3R11000	Yes	D ⁵	ED4	240	\$17,909	V1
		75	88	50	73	EDP11S088GN3R11000	Yes	D ⁵	ED4	245	\$20,304	V1
		75	105	75	88	EDP11S105GN3R11000	No	E ⁶	ED5	300	\$23,840	V1
		100/125	142	75	115	EDP11S142GN3R11000	No	E ⁶	ED5	300	\$28,163	V1
		150	180	100	142	EDP11S180GN3R11000	No	E ⁶	ED5	300	\$34,605	V1
		175	211	125	180	EDP11S211GN3R11000	No	E ⁶	ED5	300	\$39,210	V1
		200	242	150	211	EDP11S242GN3R11000	No	F ⁶	ED7	700	\$59,035	V1
		250	312	200	242	EDP11S312GN3R11000	No	F ⁶	ED7	720	\$65,054	V1
	300	370	250	312	EDP11S370GN3R11000	No	F ⁶	ED7	750	\$67,943	V1	
	400	477	300	370	EDP11S477GN3R11000	No	F ⁶	ED7	775	\$82,414	V1	
	450	515	400	477	EDP11S515GN3R11000	No	G ⁶	ED9	1100	\$94,867	V1	
	500	601	450	515	EDP11S601GN3R11000	No	G ⁶	ED9	1120	\$106,258	V1	
	600	720	500	560	EDP11S720GN3R11000	No	G ⁷	ED9	1150	\$126,755	V1	

Notes:

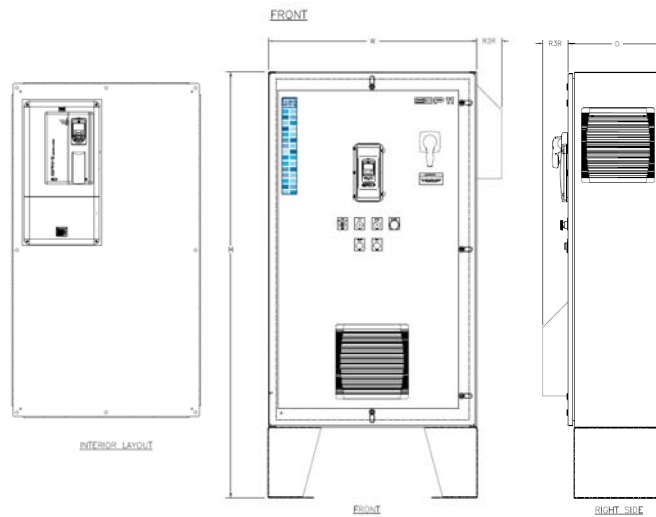
- 1) CT = Constant Torque, 150% overload / 60 sec.; VT = Variable Torque (Quadratic Load), 110% overload / 60 sec.
- 2) "HP" rating based on "average FLA values". Use as a guide only.
- 3) Motor FLA may vary with speed and manufacturer. ALWAYS compare motor FLA to Nominal AMPS of drive.
- 4) ED1 - ED4 enclosures are non-ventilated and wall-mounted; ED6 - ED9 enclosures are ventilated and floor mounted.
- 5) Maximum 45°C ambient temperature without derating
- 6) Maximum 40°C ambient temperature without derating
- 7) Maximum 38°C ambient temperature without derating
- 8) Dimensions and weights are for estimating purposes only. Only use "AS BUILT" drawings for construction. For other technical data please refer to WEG product manual.

Enclosure Frame Size

ED 1, 2, 3, 4



ED 5



Dimensions ⁵

Frame	H	W	D	D1	R3R ¹	R12 ²
ED1 ⁴	24	20	11.5	2.8	2.5	1.5
ED2 ⁴	30	24	14	5.4	2.5	1.5
ED3 ⁴	36	30	14	5.5	2.5	1.5
ED4 ⁴	48	30	17.5	6.8	2.5	1.5
ED5 ³	72	36	16	N/A	4	N/A

NOTE:

1) For NEMA 3R cabinet

2) For NEMA 12 Cabinet

3) ED5 "H" Dimension includes 12" for legs

4) ED1 - ED4 enclosures are non-ventilated and wall-mounted; ED5 enclosures are ventilated and floor mounted.

5) Dimensions are provided for estimating purposes only.

*For NEMA 3R cabinet **For NEMA 12 cabinet

General Information

CFW100

CFW300

CFW500

CFW700

CFW11

CFW11M

PUMP GENIUS

CFW700 SINGLE PHASE

CFW08 WASH

CFW501

CFW701

HVV701

SSW05

SSW07

SSW06

EDP11 EDP700

EDP11 EDP700

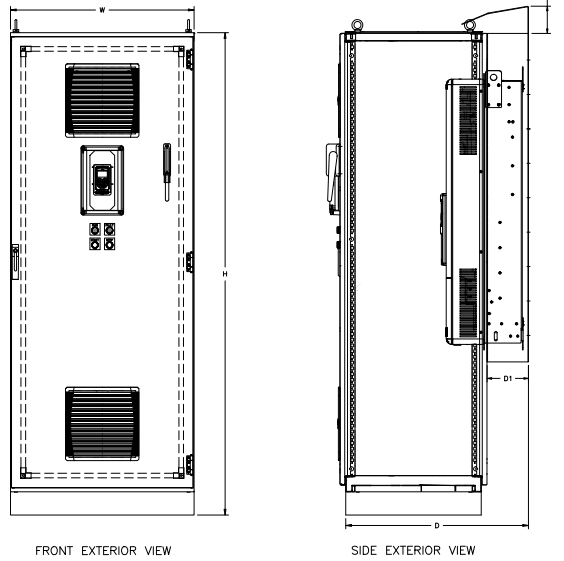
GP2

TP2

EDP11

Enclosure Frame Size

ED 6



FRONT EXTERIOR VIEW

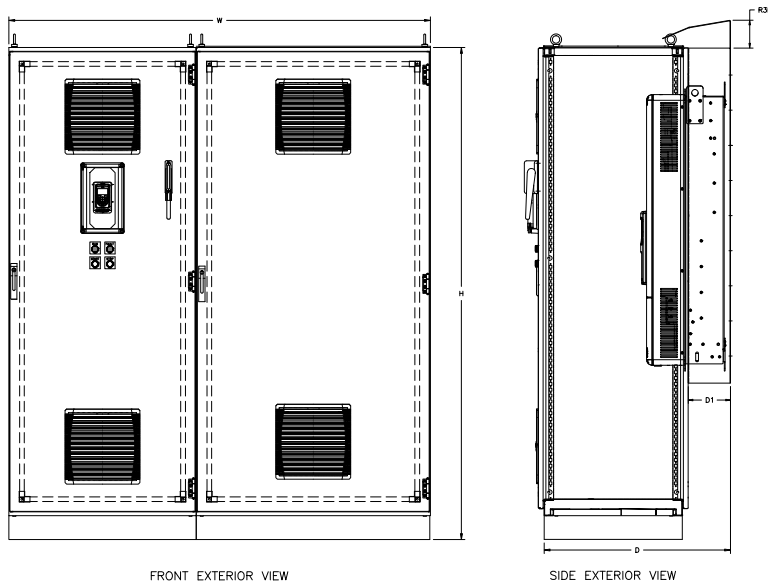
SIDE EXTERIOR VIEW

Dimensions

Frame	H	W	D(N12)	D(N3R)	D1(N12)	D1(N3R)	R3R	N12
ED6	83	32	31.4	41	6.2	11.4	2.5	1.5
ED7	83	63	31.4	41	6.2	11.4	2.5	1.5
ED8	83	56	31.9	41	7.5	11.4	2.5	1.5
ED9	83	95	31.9	41	7.5	11.4	2.5	1.5

NOTE: ED5 - ED9 enclosures are ventilated and floor-mounted

ED 7, 8, 9



FRONT EXTERIOR VIEW

SIDE EXTERIOR VIEW

GPH2

The Combination Soft Starter is a NEMA 4/12 Enclosed industrial general purpose AC motor soft starter package. It is designed for simple and quick installation and start-up, requiring only input power and output motor connections.

The Combination Soft Starter is built to complement the ruggedness and reliability of WEG motors, providing a complete, simple, and cost effective AC motor starting and protection solution.

Standard Features

- Rated for 300% for 30 seconds
- Rated for 450% with derating
- 5 – 175HP at 230V
- 10 – 350HP at 460V
- Wall mounted enclosures for up to 125HP @ 230V; 250HP@460V
- Floor Mounted enclosure for up to 150 – 175HP @ 230V, and 300 – 350HP @ 460V
- Soft Starter
- SSW07 from 17 to 412Amps (all models with integrated AC1 by-pass)
- Circuit Breaker with Through Door Disconnect
- Control Power Transformer
- Start/Stop Pushbuttons
- Run/Fault Pilot Lights
- SuperDrive G2 Compatible

Note:
SSW07 models do not include keypad



Applications

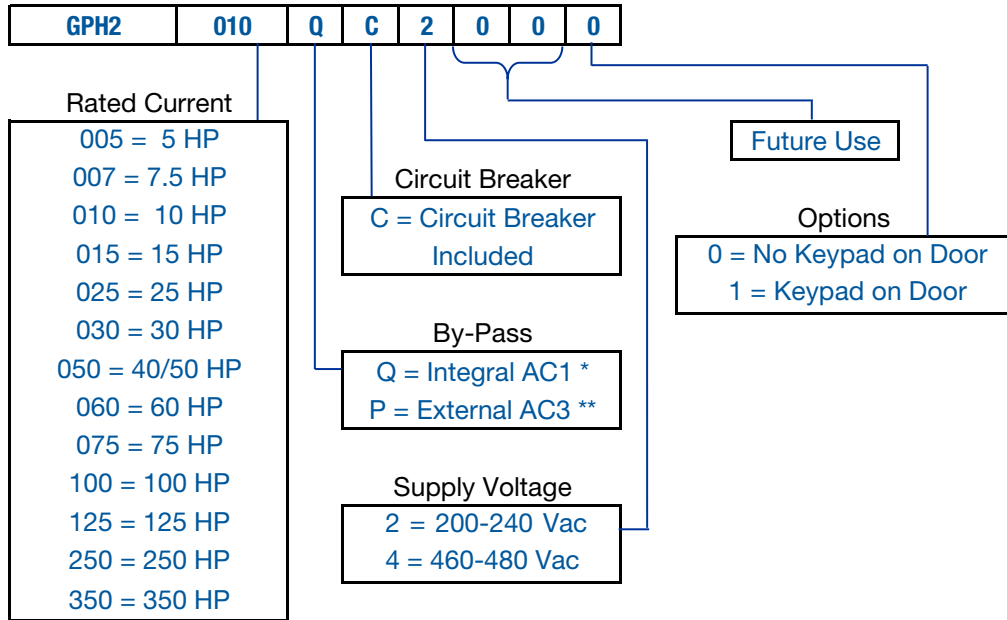
- Centrifugal Pumps
- Screw Compressors
- Centrifugal Fans
- Wood Chipper
- Veneer Lathe
- Saw
- Conveyor

Optional Features

- AC3 by-pass contactor and DOL Selector Switch
- Door mounted keypad
- 575V AC Supply
- SUSE Service Entrance Rated



GPH2 Catalog Number Sequence



* Bypass Contactor is 'Run Rated' and is integral to the soft starter

** Bypass Contactor is 'Full Rated' and mounted adjacent the soft starter inside the panel.

Table intended as reference only and not to create part numbers.

General Information

CFW100

CFW300

CFW500

CFW700

CFW11

CFW11M

PUMP GENIUS

CFW700 SINGLE PHASE

CFW08 WASH

CFW501

CFW701

HVW701

SSW05

SSW07

SSW06

EDP11 EDP700

GPH2

TPH2

NEMA 4 / 12 Enclosure (Standard Version - with Circuit Breaker, Integral AC1 By-Pass and no Keypad on Door)

Motor Voltage	Motor HP ¹	Starter Amps ²	Catalog Number	Frame Size	Approx. Weight ⁴ (lbs.)	List Price	Multiplier
230 Vac	Input Power Supply: Three-Phase 200-240 Vac						
	5	17	GPH2005QC2000	1	140	\$3,650	E1
	7.5	24	GPH2007QC2000	1	140	\$3,750	E1
	10	30	GPH2010QC2000	1	140	\$3,900	E1
	15	45	GPH2015QC2000	2	150	\$4,300	E1
	25	61	GPH2025QC2000	2	150	\$4,800	E1
	30	85	GPH2030QC2000	2	150	\$5,800	E1
	50	130	GPH2050QC2000	3	280	\$6,990	E1
	60	171	GPH2060QC2000	3	280	\$7,500	E1
	75	200	GPH2075QC2000	3	280	\$8,450	E1
	100	255	GPH2100QC2000	4	415	\$10,700	E1
	125	312	GPH2125QC2000	4	415	\$11,880	E1
	150	365	GPH2150QC2000	5	610	\$12,700	E1
	175	412	GPH2175QC2000	5	610	\$14,500	E1
460 Vac	Input Power Supply: Three-Phase 460-480 Vac						
	10	17	GPH2010QC4000	1	140	\$3,650	E1
	15	24	GPH2015QC4000	1	140	\$3,750	E1
	20	30	GPH2020QC4000	1	140	\$3,900	E1
	30	45	GPH2030QC4000	2	150	\$4,300	E1
	40 / 50	61	GPH2050QC4000	2	150	\$4,800	E1
	75	85	GPH2075QC4000	2	150	\$5,800	E1
	100	130	GPH2100QC4000	3	280	\$6,990	E1
	125	171	GPH2125QC4000	3	280	\$7,500	E1
	150	200	GPH2150QC4000	3	280	\$8,450	E1
	200	255	GPH2200QC4000	4	415	\$10,700	E1
	250	312	GPH2250QC4000	4	415	\$11,880	E1
	300	365	GPH2300QC4000	5	610	\$12,700	E1
	350	412	GPH2350QC4000	5	610	\$14,500	E1

Notes:

- 1) "HP" rating based on FLA values from WEG W22, 2 and 4 pole, NEMA Premium motors.
- 2) Motor FLA may vary with speed and manufacturer. ALWAYS compare motor FLA to Nominal AMPS of the starter.
- 3) For other technical data please refer to WEG product manual.
- 4) Dimensions and weights are for estimating purposes only. Only use "AS BUILT" drawings for construction.

GPH2

NEMA 4 / 12 Enclosure (with Circuit Breaker, Integral AC1 By-Pass and Keypad on Door)

Motor Voltage	Motor HP ¹	Starter Amps ²	Catalog Number	Frame Size	Approx. Weight ⁴ (lbs.)	List Price	Multiplier
230 Vac	Input Power Supply: Three-Phase 200-240 Vac						
	5	17	GPH2005QC2001	1	140	\$4,145	E1
	7.5	24	GPH2007QC2001	1	140	\$4,245	E1
	10	30	GPH2010QC2001	1	140	\$4,395	E1
	15	45	GPH2015QC2001	2	150	\$4,795	E1
	25	61	GPH2025QC2001	2	150	\$5,295	E1
	30	85	GPH2030QC2001	2	150	\$6,295	E1
	50	130	GPH2050QC2001	3	280	\$7,485	E1
	60	171	GPH2060QC2001	3	280	\$7,995	E1
	75	200	GPH2075QC2001	3	280	\$8,945	E1
	100	255	GPH2100QC2001	4	415	\$11,195	E1
	125	312	GPH2125QC2001	4	415	\$12,375	E1
	150	365	GPH2150QC2001	5	610	\$13,195	E1
	175	412	GPH2175QC2001	5	610	\$14,995	E1
	460 Vac	Input Power Supply: Three-Phase 460-480 Vac					
10		17	GPH2010QC4001	1	140	\$4,145	E1
15		24	GPH2015QC4001	1	140	\$4,245	E1
20		30	GPH2020QC4001	1	140	\$4,395	E1
30		45	GPH2030QC4001	2	150	\$4,795	E1
40 / 50		61	GPH2050QC4001	2	150	\$5,295	E1
75		85	GPH2075QC4001	2	150	\$6,295	E1
100		130	GPH2100QC4001	3	280	\$7,485	E1
125		171	GPH2125QC4001	3	280	\$7,995	E1
150		200	GPH2150QC4001	3	280	\$8,945	E1
200		255	GPH2200QC4001	4	415	\$11,195	E1
250		312	GPH2250QC4001	4	415	\$12,375	E1
300		365	GPH2300QC4001	5	610	\$13,195	E1
350		412	GPH2350QC4001	5	610	\$14,995	E1

Notes:

- 1) "HP" rating based on FLA values from WEG W22, 2 and 4 pole, NEMA Premium motors.
- 2) Motor FLA may vary with speed and manufacturer. ALWAYS compare motor FLA to Nominal AMPS of the starter.
- 3) For other technical data please refer to WEG product manual.
- 4) Dimensions and weights are for estimating purposes only. Only use "AS BUILT" drawings for construction.

NEMA 4 / 12 Enclosure (with Circuit Breaker, External AC3 By-Pass and no Keypad on Door)

Motor Voltage	Motor HP 1	Starter Amps 2	Catalog Number	Frame Size	Approx. Weight 4 (lbs.)	List Price	Multiplier
230 Vac	Input Power Supply: Three-Phase 200-240 Vac						
	5	17	GPH2005PC2000	1	140	\$3,900	E1
	7.5	24	GPH2007PC2000	1	140	\$4,032	E1
	10	30	GPH2010PC2000	1	140	\$4,243	E1
	15	45	GPH2015PC2000	2	150	\$4,865	E1
	25	61	GPH2025PC2000	2	150	\$5,412	E1
	30	85	GPH2030PC2000	2	150	\$6,585	E1
	50	130	GPH2050PC2000	3	280	\$8,260	E1
	60	171	GPH2060PC2000	3	280	\$9,013	E1
	75	200	GPH2075PC2000	3	280	\$10,350	E1
	100	255	GPH2100PC2000	4	415	\$12,965	E1
	125	312	GPH2125PC2000	4	415	\$14,847	E1
	150	365	GPH2150PC2000	5	610	\$15,706	E1
175	412	GPH2175PC2000	5	610	\$21,075	E1	
460 Vac	Input Power Supply: Three-Phase 460-480 Vac						
	10	17	GPH2010PC4000	1	140	\$3,900	E1
	15	24	GPH2015PC4000	1	140	\$4,032	E1
	20	30	GPH2020PC4000	1	140	\$4,243	E1
	30	45	GPH2030PC4000	2	150	\$4,865	E1
	40 / 50	61	GPH2050PC4000	2	150	\$5,412	E1
	75	85	GPH2075PC4000	2	150	\$6,585	E1
	100	130	GPH2100PC4000	3	280	\$8,260	E1
	125	171	GPH2125PC4000	3	280	\$9,013	E1
	150	200	GPH2150PC4000	3	280	\$10,350	E1
	200	255	GPH2200PC4000	4	415	\$12,965	E1
	250	312	GPH2250PC4000	4	415	\$14,847	E1
	300	365	GPH2300PC4000	5	610	\$15,706	E1
350	412	GPH2350PC4000	5	610	\$21,075	E1	

Notes:

- 1) "HP" rating based on FLA values from WEG W22, 2 and 4 pole, NEMA Premium motors.
- 2) Motor FLA may vary with speed and manufacturer. ALWAYS compare motor FLA to Nominal AMPS of the starter.
- 3) For other technical data please refer to WEG product manual.
- 4) Dimensions and weights are for estimating purposes only. Only use "AS BUILT" drawings for construction.

General Information

CFW100

CFW300

CFW500

CFW700

CFW11

CFW11M

PUMP GENIUS

CFW700 SINGLE PHASE

CFW08 WASH

CFW501

CFW701

HVW701

SSW05

SSW07

SSW06

EDP11 EDP700

GPH2

TPH2

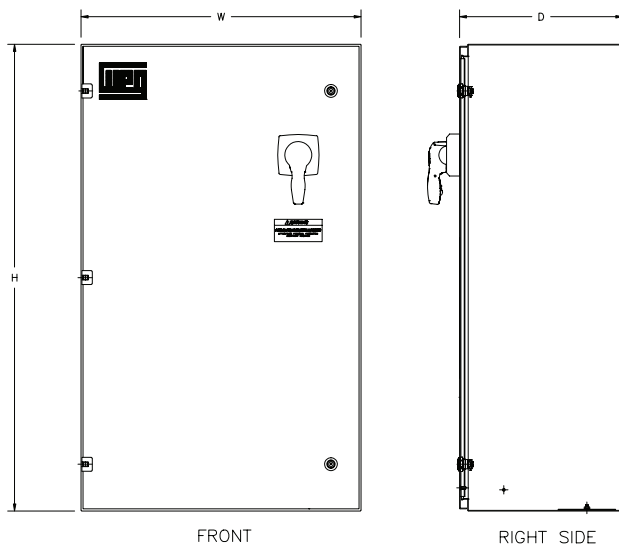
GPH2

NEMA 4 / 12 Enclosure (with Circuit Breaker, External AC3 By-Pass and Keypad on Door)

Motor Voltage	Motor HP ¹	Starter Amps ²	Catalog Number	Frame Size	Approx. Weight ⁴ (lbs.)	List Price	Multiplier Symbol
230 Vac	Input Power Supply: Three-Phase 200-240 Vac						
	5	17	GPH2005PC2001	1	140	\$4,395	E1
	7.5	24	GPH2007PC2001	1	140	\$4,527	E1
	10	30	GPH2010PC2001	1	140	\$4,738	E1
	15	45	GPH2015PC2001	2	150	\$5,360	E1
	25	61	GPH2025PC2001	2	150	\$5,907	E1
	30	85	GPH2030PC2001	2	150	\$7,080	E1
	50	130	GPH2050PC2001	3	280	\$8,755	E1
	60	171	GPH2060PC2001	3	280	\$9,508	E1
	75	200	GPH2075PC2001	3	280	\$10,845	E1
	100	255	GPH2100PC2001	4	415	\$13,460	E1
	125	312	GPH2125PC2001	4	415	\$15,342	E1
	150	365	GPH2150PC2001	5	610	\$16,201	E1
	175	412	GPH2175PC2001	5	610	\$21,570	E1
460 Vac	Input Power Supply: Three-Phase 460-480 Vac						
	10	17	GPH2010PC4001	1	140	\$4,395	E1
	15	24	GPH2015PC4001	1	140	\$4,527	E1
	20	30	GPH2020PC4001	1	140	\$4,738	E1
	30	45	GPH2030PC4001	2	150	\$5,360	E1
	40 / 50	61	GPH2050PC4001	2	150	\$5,907	E1
	75	85	GPH2075PC4001	2	150	\$7,080	E1
	100	130	GPH2100PC4001	3	280	\$8,755	E1
	125	171	GPH2125PC4001	3	280	\$9,508	E1
	150	200	GPH2150PC4001	3	280	\$10,845	E1
	200	255	GPH2200PC4001	4	415	\$13,460	E1
	250	312	GPH2250PC4001	4	415	\$15,342	E1
	300	365	GPH2300PC4001	5	610	\$16,201	E1
	350	412	GPH2350PC4001	5	610	\$21,570	E1

Notes:

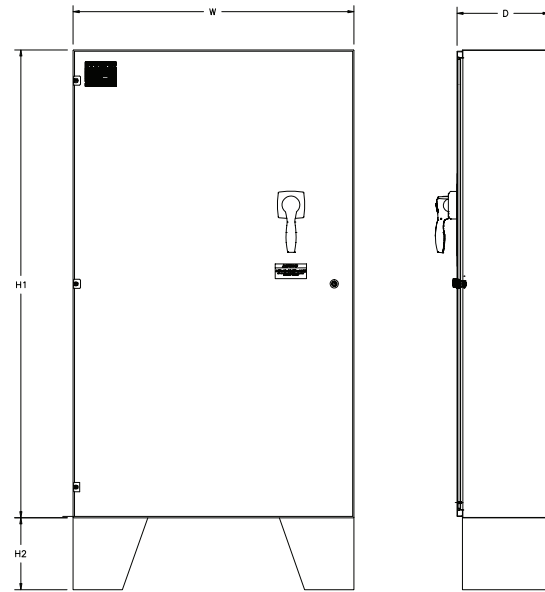
- 1) "HP" rating based on FLA values from WEG W22, 2 and 4 pole, NEMA Premium motors.
- 2) Motor FLA may vary with speed and manufacturer. ALWAYS compare motor FLA to Nominal AMPS of the starter.
- 3) For other technical data please refer to WEG product manual.
- 4) Dimensions and weights are for estimating purposes only. Only use "AS BUILT" drawings for construction.



FRONT

RIGHT SIDE

Frame Sizes 1-4



Frame Size 5

GPH Dimensions

Frame	W	D	H1	H2	Approx. Weight (lbs)
1	16	8	24	N/A	140
2	24	12	32	N/A	150
3	24	14	40	N/A	280
4	32	12	48	N/A	415
5	36	16	60	12	610

Notes: H1 + H2 = overall height

TPH2 Crusher Duty®

The WEG TPH2 Series of Crusher Duty® soft starters are designed to conquer the most demanding AC motor starting applications. While surpassing the highest starting torque requirements, the protective NEMA 4/12 enclosure makes the TPH2 Crusher Duty® soft starters ideal for the harsh industrial environments, even in wash down locations. Including as standard an AC3 full HP rated bypass contactor and motor overload relay, emergency direct-on-line starting is available at the flip of a switch while still providing full motor protection. Power lugs make motor connections safe and easy. The WEG TPH2 starters are built to complement the ruggedness and reliability of WEG motors, providing a complete and cost effective AC motor starting and protection solution.

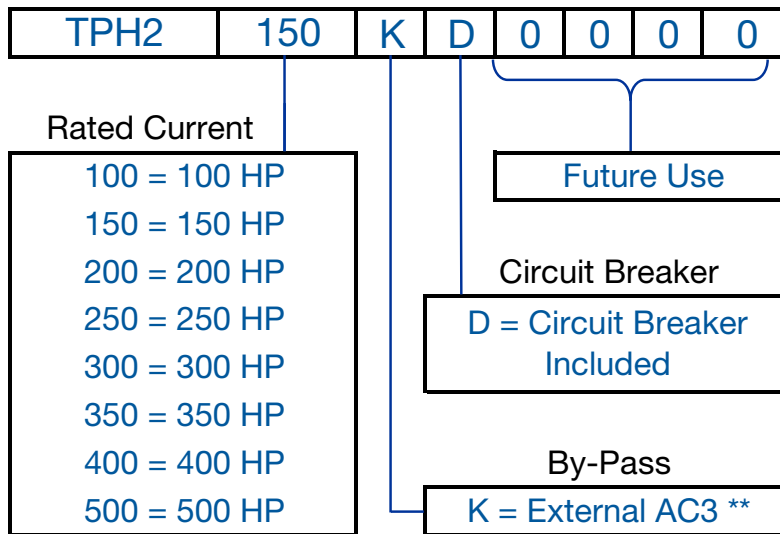


Standard Features

- Built with reliable SSW06 soft starter inside
- Rated 500% for Crusher Duty® applications
- NEMA 4/12 WEG Blue enclosure. Suitable for dusty, wet or outdoor applications.
- Narrow design requires less space. Legs eliminate difficult wall mounting.
- Protective barriers over 460V and 120V terminals
- Circuit breaker with door mounted operator provides built-in short circuit protection and power disconnect.
- Full HP rated bypass contactor (AC3) with thermal overload relay and emergency start switch inside the enclosure (Softstart-Off-Across the Line) can be used in the event of Soft starter failure.
- Full soft starter protection during both start and bypass provides full protection from over/under current, supply and motor phase fault, phase unbalance, overtemp and over current.
- Keypad and full sized operator controls on cover with steel frame NEMA-4 window and cover over keypad. All parameter changes are through the cover-mounted keypad. Monitoring of current, voltage, kVA and kW can be done from the outside.
- Terminations for remote start-stop furnished - no need to trace control circuit for additional power lines.
- 250VA 120V service receptacle - Power up meters, lights, and small tools without additional power lines
- Modular multiple subpanel design. Ease of field modification or component replacement
- SuperDrive G2 Compatible



TPH2 Catalog Number Sequence



*** Bypass Contactor is "Full Rated" and mounted adjacent the soft starter inside the panel.*

- General Information
- CFW100
- CFW300
- CFW500
- CFW700
- CFW11
- CFW11M
- PUMP GENIUS
- CFW700 SINGLE PHASE
- CFW08 WASH
- CFW501
- CFW701
- HVV701
- SSW05
- SSW07
- SSW06
- EDP11 EDP700
- GP2
- TPH2

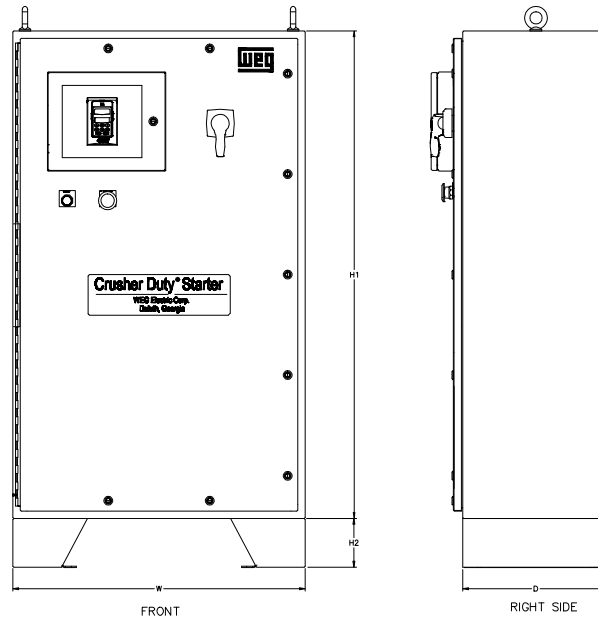
TPH2

NEMA 4 / 12 Enclosure

Motor Voltage	Motor HP ¹	Starter Amps ²	Catalog Number	Frame Size	Approx. Weight (lbs.) ³	List Price	Multiplier
460 Vac	Input Power Supply: Three-Phase 460-480 Vac						
	100	130	TPH2100KD0000	1	442	\$14,605	K2
	150	205	TPH2150KD0000		470	\$17,014	K2
	200	255	TPH2200KD0000	2	608	\$20,938	K2
	250	312	TPH2250KD0000		658	\$22,300	K2
	300	365	TPH2300KD0000		710	\$27,946	K2
	350	412	TPH2350KD0000	3	770	\$30,293	K2
	400	480	TPH2400KD0000		855	\$34,357	K2
	500	604	TPH2500KD0000		875	\$43,756	K2

Notes:

- "HP" rating based on FLA values from WEG W22, 2 and 4 pole, NEMA Premium motors.
 - Motor FLA may vary with speed and manufacturer. ALWAYS compare motor FLA to Nominal AMPS of the starter.
 - Dimensions and weights are for estimating purposes only.
- For other technical data please refer to WEG product manual.



Frame	W	D	H1	H2	H1 + H2
1	36	16	48	6	54
2	36	18	60	6	66
3	36	18	72	6	78

Notes:

* H1 + H2 = overall height

General Information

CFW100

CFW300

CFW500

CFW700

CFW11

CFW11M

PUMP

GENIUS

CFW700

SINGLE PHASE

CFW08

WASH

CFW501

CFW701

HVW701

SSW05

SSW07

SSW06

EDP11

EDP700

GPH2

TPH2

My Notes:

General Information
CFW100
CFW300
CFW500
CFW700
CFW11
CFW11M
PUMP GENIUS
CFW700 SINGLE PHASE
CFW08 WASH
CFW501
CFW701
HVVW701
SSW05
SSW07
SSW06
EDP11 EDP700
GPH2
TPH2

CFW10 IP20 Enclosure → Replace with → CFW100 IP20 Enclosure

Motor Voltage	Motor HP ¹	Drive Amps ²	CFW10 Catalog Number	Braking Transistor	Drive Amps ²	CFW100 Catalog Number	Braking Transistor	List Price	Multiplier	
230 Vac Three Phase	Input Power Supply: Single-Phase 230 Vac									
	1/4	1.6	CFW100016SDZ	No	1.6	CFW100A01P6S220	No	\$302	V1	
	1/2	2.6	CFW100026SDZ	No	2.6	CFW100B02P6S220	No	\$346	V1	
	1	4.0	CFW100040SDZ	No	4.2	CFW100C04P2S220	No	\$396	V1	
	2	7.3	CFW100073SDZ	Yes	See CFW300 Cross Reference					
	3	10.0	CFW100100SDZ	Yes	See CFW300 Cross Reference					
	1/4	1.6	CFW100016SDPLZ	No	1.6	CFW100A01P6S220 3	No	\$302	V1	
	1/2	2.6	CFW100026SDPLZ	No	2.6	CFW100B02P6S220 3	No	\$346	V1	
	1	4.0	CFW100040SDPLZ	No	4.2	CFW100C04P2S220 3	No	\$396	V1	
	2	7.3	CFW100073SDPLZ	Yes	See CFW300 Cross Reference					
	3	10.0	CFW100100SDPLZ	Yes	See CFW300 Cross Reference					

Notes:

- 1) "HP" rating based on "average FLA values". Use as a guide only.
 - 2) Motor FLA may vary with speed and manufacturer. ALWAYS compare motor FLA to Nominal AMPS of drive.
 - 3) CFW100 has keypad speed adjustment in lieu of CFW10 with Potentiometer.
- For other technical data please refer to WEG product manual."*

CFW10 IP20 Enclosure → Replace with → CFW300 IP20 Enclosure

Motor Voltage	Motor HP ¹	Drive Amps ²	CFW10 Catalog Number	Braking Transistor	Drive Amps ²	CFW300 Catalog Number	Braking Transistor	List Price	Multiplier	
230 Vac Three Phase	Input Power Supply: Single-Phase 120 Vac									
	1/4	1.6	CFW100016SAZ	No	1.6	CFW300A01P6S1NB20	No	\$361	V1	
	1/2	2.6	CFW100026SAZ	No	2.6	CFW300A02P6S1NB20	No	\$394	V1	
	1	4.0	CFW100040SAZ	No	4.2	CFW300A04P2S1NB20	No	\$420	V1	
	1/4	1.6	CFW100016SAPLZ	No	1.6	CFW300A01P6S1NB20 3	No	\$361	V1	
	1/2	2.6	CFW100026SAPLZ	No	2.6	CFW300A02P6S1NB20 3	No	\$394	V1	
	1	4.0	CFW100040SAPLZ	No	4.2	CFW300A04P2S1NB20 3	No	\$420	V1	
	Input Power Supply: Single-Phase 230 Vac									
	1/4	1.6	CFW100016SDZ	No	1.6	CFW300A01P6S2NB20	No	\$323	V1	
	1/2	2.6	CFW100026SDZ	No	2.6	CFW300A02P6S2NB20	No	\$348	V1	
	1	4.0	CFW100040SDZ	No	4.2	CFW300A04P2S2NB20	No	\$371	V1	
	2	7.3	CFW100073SDZ	Yes	7.3	CFW300A07P3S2NB20	No	\$543	V1	
	3	10.0	CFW100100SDZ	Yes	10.0	CFW300B10P0B2DB20	Yes	\$648	V1	
	1/4	1.6	CFW100016SDPLZ	No	1.6	CFW300A01P6S2NB20 3	No	\$323	V1	
	1/2	2.6	CFW100026SDPLZ	No	2.6	CFW300A02P6S2NB20 3	No	\$348	V1	
	1	4.0	CFW100040SDPLZ	No	4.2	CFW300A04P2S2NB20 3	No	\$371	V1	
	2	7.3	CFW100073SDPLZ	Yes	7.3	CFW300A07P3S2NB20 3	No	\$543	V1	
	3	10.0	CFW100100SDPLZ	Yes	10.0	CFW300B10P0B2DB20 3	Yes	\$648	V1	

Notes:

- 1) "HP" rating based on "average FLA values". Use as a guide only.
 - 2) Motor FLA may vary with speed and manufacturer. ALWAYS compare motor FLA to Nominal AMPS of drive.
 - 3) CFW300 has keypad speed adjustment in lieu of CFW10 with Potentiometer.
- For other technical data please refer to WEG product manual."*

CFW10
IP20 Enclosure



Replace with



CFW500
NEMA 1 Enclosure

Motor Voltage	Motor HP ¹	Drive Amps ²	CFW10 Catalog Number	Braking Transistor		Drive Amps ²	CFW500 Catalog Number	Braking Transistor	List Price	Multiplier	
230 Vac	Input Power Supply: Single-Phase 230 Vac										
	1/4	1.6	CFW100016SDZ	No		1.6	CFW500A01P6S2NBN1	No	\$451	V1	
	1/2	2.6	CFW100026SDZ	No		2.6	CFW500A02P6S2NBN1	No	\$463	V1	
	1	4.0	CFW100040SDZ	No		4.3	CFW500A04P3S2NBN1	No	\$499	V1	
	2	7.3	CFW100073SDZ	Yes		7.3	CFW500A07POS2NBN1	No	\$633	V1	
	3	10.0	CFW100100SDZ	Yes		10.0	CFW500B10POB2DBN1	Yes	\$789	V1	
	1/4	1.6	CFW100016SDPLZ	No		1.6	CFW500A01P6S2NBN1 3	No	\$451	V1	
	1/2	2.6	CFW100026SDPLZ	No		2.6	CFW500A02P6S2NBN1 3	No	\$463	V1	
	1	4.0	CFW100040SDPLZ	No		4.3	CFW500A04P3S2NBN1 3	No	\$499	V1	
	2	7.3	CFW100073SDPLZ	Yes		7.3	CFW500A07POS2NBN1 3	No	\$633	V1	
3	10.0	CFW100100SDPLZ	Yes		10.0	CFW500B10POB2DBN1 3	Yes	\$789	V1		

Notes:
¹) "HP" rating based on "average FLA values". Use as a guide only.
²) Motor FLA may vary with speed and manufacturer. ALWAYS compare motor FLA to Nominal AMPS of drive.
³) CFW500 has keypad speed adjustment in lieu of CFW10 with Potentiometer.
 For other technical data please refer to WEG product manual."

CFW08 Plus **→** Replace with **→** CFW100
 NEMA 1 Enclosure IP20 Enclosure

Motor Voltage	Motor HP ¹	Drive Amps ²	CFW08 Catalog Number	Braking Transistor	Drive Amps ²	CFW100 Catalog Number	Braking Transistor	List Price	Multiplier	
230 Vac	Input Power Supply: Single-Phase 230 Vac									
	1/4 - 1/3	1.6	CFW080016BDN1A1Z	No	1.6	CFW100A01P6S220	No	\$302	V1	
	1/2	2.6	CFW080026BDN1A1Z	No	2.6	CFW100B02P6S220	No	\$346	V1	
	1	4.0	CFW080040BDN1A1Z	No	4.2	CFW100C04P2S220	No	\$396	V1	

CFW08 Plus **→** Replace with **→** CFW500
 NEMA 1 Enclosure NEMA 1 Enclosure

Motor Voltage	Motor HP ¹	Drive Amps ²	CFW08 Catalog Number	Braking Transistor	Drive Amps ²	CFW500 Catalog Number	Braking Transistor	List Price	Multiplier	
230 Vac	Input Power Supply: Three-Phase 230 Vac									
	1/4 - 1/3	1.6	CFW080016BDN1A1Z	No	1.6	CFW500A01P6B2NBN1	No	\$456	V1	
	1/2	2.6	CFW080026BDN1A1Z	No	2.6	CFW500A02P6B2NBN1	No	\$467	V1	
	1	4.0	CFW080040BDN1A1Z	No	4.3	CFW500A04P3B2NBN1	No	\$506	V1	
	2	7.0	CFW080070TDN1A1Z	No	7.0	CFW500A07P0T2NBN1	No	\$628	V1	
	2	7.3	CFW080073BDN1A1Z	Yes	7.3	CFW500B07P3B2DBN1	Yes	\$678	V1	
	3	10	CFW080100BDN1A1Z	Yes	10	CFW500B10P0B2DBN1	Yes	\$789	V1	
	5	16	CFW080160TDN1A1Z	Yes	16	CFW500B16P0T2DBN1	Yes	\$842	V1	
	7 1/2	22	CFW080220TDN1A1Z	Yes	24	CFW500C24P0T2DBN1	Yes	\$1,427	V1	
	10	28	CFW080280TDN1A1Z	Yes	28	CFW500D28P0T2DBN1	Yes	\$1,777	V1	
460 Vac	Input Power Supply: Three-Phase 460 Vac									
	1/4 - 1/3	1.0	CFW080010TGN1A1Z	No	1.0	CFW500A01P0T4NBN1	No	\$582	V1	
	3/4	1.6	CFW080016TGN1A1Z	No	1.6	CFW500A01P6T4NBN1	No	\$604	V1	
	1	2.6	CFW080026TGN1A1Z	No	2.6	CFW500A02P6T4NBN1	No	\$649	V1	
	1	2.7	CFW080027TGN1A1Z	Yes	2.6	CFW500B02P6T4DBN1	Yes	\$708	V1	
	2	4.0	CFW080040TGN1A1Z	No	4.3	CFW500A04P3T4NBN1	No	\$799	V1	
	2	4.3	CFW080043TGN1A1Z	Yes	4.3	CFW500B04P3T4DBN1	Yes	\$892	V1	
	3	6.5	CFW080065TGN1A1Z	Yes	6.5	CFW500B06P5T4DBN1	Yes	\$1,067	V1	
	5	10	CFW080100TGN1A1Z	Yes	10	CFW500B10P0T4DBN1	Yes	\$1,207	V1	
	7 1/2	13	CFW080130TGN1A1Z	Yes	14	CFW500C14P0T4DBN1	Yes	\$1,495	V1	
	10	16	CFW080160TGN1A1Z	Yes	16	CFW500C16P0T4DBN1	Yes	\$1,684	V1	
	15	24	CFW080240TGN1A1Z	Yes	24	CFW500D24P0T4DBN1	Yes	\$2,229	V1	
	20	30	CFW080300TGN1A1Z	Yes	31	CFW500D31P0T4DBN1	Yes	\$2,783	V1	
	575 Vac ⁴	Input Power Supply: Three-Phase 575 Vac								
1		1.7	CFW080017THN1A1Z	Yes	1.7	CFW500C01P7T5DBN1	Yes	\$910	V1	
2		3.0	CFW080030THN1A1Z	Yes	3.0	CFW500C03P0T5DBN1	Yes	\$954	V1	
3		4.3	CFW080043THN1A1Z	Yes	4.3	CFW500C04P3T5DBN1	Yes	\$1,073	V1	
5		7.0	CFW080070THN1A1Z	Yes	7.0	CFW500C07P0T5DBN1	Yes	\$1,276	V1	
7 1/2		10	CFW080100THN1A1Z	Yes	10	CFW500C10P0T5DBN1	Yes	\$1,621	V1	
10	12	CFW080120THN1A1Z	Yes	12	CFW500C12P0T5DBN1	Yes	\$1,813	V1		

Notes:

- 1) "HP" rating based on "average FLA values". Use as a guide only.
 - 2) Motor FLA may vary with speed and manufacturer. ALWAYS compare motor FLA to Nominal AMPS of drive.
 - 3) CFW08 Plus NEMA1 drives are non-stocked items. Consult WEG for availability.
 - 4) All 575 Vac drives are non-stocked items. Consult WEG for availability.
- For other technical data please refer to WEG product manual.



CFW09 Replace with CFW500
 NEMA 1 Enclosure NEMA 1 Enclosure

Motor Voltage	Motor HP ¹	Drive Amps ²	CFW09 Catalog Number	Braking Transistor		Drive Amps ²	CFW500 Catalog Number	Braking Transistor	List Price	Multiplier		
230 Vac	Input Power Supply: Single-Phase 230 Vac											
	1 - 1.5	6.0	CFW-090006TDZ	Yes		7.0	CFW500A07P0S2NBN1	Yes	\$633	V1		
	2	7.0	CFW-090007TDZ	Yes		7.3	CFW500B07P3B2DBN1	Yes	\$678	V1		
	3	10	CFW-090010TDZ	Yes		10	CFW500B10P0B2DBN1	Yes	\$789	V1		
	Input Power Supply: Three-Phase 230 Vac											
	3	13	CFW-090013TDZ	Yes		10	CFW500B10P0B2DBN1	Yes	\$789	V1		
	5	16	CFW-090016TDZ	Yes		16	CFW500B16P0T2DBN1	Yes	\$842	V1		
	7 1/2	24	CFW-090024TDZ	Yes		24	CFW500C24P0T2DBN1	Yes	\$1,427	V1		
	10	28	CFW-090028TDZ	Yes		28	CFW500D28P0T2DBN1	Yes	\$1,777	V1		
						33	CFW500D33P0T2DBN1	Yes	\$2,146	V1		
	15	45	CFW-090045TDZ	Yes		47	CFW500D47P0T2DBN1	Yes	\$2,910	V1		
	20	54	CFW-090054TDDBZ	Yes		See CFW700 Cross Reference						
	25	70	CFW-090070TDDBZ	Yes								
	30	86	CFW-090086TDDBZ	Yes								
	40	105	CFW-090105TDDBZ	Yes								
	50	130	CFW-090130TDDBZ	Yes								
	50	142	CFW-090142TDDBZ	Yes								
	460 Vac	Input Power Supply: Three-Phase 460 Vac										
							1.0	CFW500A01P0T4NBN1	No	\$582	V1	
						1.6	CFW500A01P6T4NBN1	No	\$604	V1		
						2.6	CFW500A02P6T4NBN1	No	\$649	V1		
						2.6	CFW500B02P6T4DBN1	Yes	\$708	V1		
1 or 1.5		3.6	CFW-090003TGZ	Yes		4.3	CFW500B04P3T4DBN1	Yes	\$892	V1		
2		4.0	CFW-090004TGZ	Yes		4.3	CFW500B04P3T4DBN1	Yes	\$892	V1		
3		5.5	CFW-090005TGZ	Yes		6.5	CFW500B06P5T4DBN1	Yes	\$1,067	V1		
5		9.0	CFW-090009TGZ	Yes		10	CFW500B10P0T4DBN1	Yes	\$1,207	V1		
7 1/2		13	CFW-090013TGZ	Yes		14	CFW500C14P0T4DBN1	Yes	\$1,495	V1		
10		16	CFW-090016TGZ	Yes		16	CFW500C16P0T4DBN1	Yes	\$1,684	V1		
15		24	CFW-090024TGZ	Yes		24	CFW500D24P0T4DBN1	Yes	\$2,229	V1		
20		30	CFW-090030TGZ	Yes		31	CFW500D31P0T4DBN1	Yes	\$2,783	V1		
575 Vac ⁴	Input Power Supply: Three-Phase 575 Vac											
						1.7	CFW500C01P7T5DBN1	Yes	\$910	V1		
	2	2.9	CFW-090002THZ	Yes		3.0	CFW500C03P0T5DBN1	Yes	\$954	V1		
	3	4.2	CFW-090004THZ	Yes		4.3	CFW500C04P3T5DBN1	Yes	\$1,073	V1		
	5	7.0	CFW-090007THZ	Yes		7.0	CFW500C07P0T5DBN1	Yes	\$1,276	V1		
	7 1/2	10	CFW-090010THZ	Yes		10	CFW500C10P0T5DBN1	Yes	\$1,621	V1		
	10	12	CFW-090012THZ	Yes		12	CFW500C12P0T5DBN1	Yes	\$1,813	V1		

Notes:

- 1) "HP" rating based on "average FLA values". Use as a guide only.
 - 2) Motor FLA may vary with speed and manufacturer. ALWAYS compare motor FLA to Nominal AMPS of drive.
 - 3) CFW08 Plus NEMA1 drives are non-stocked items. Consult WEG for availability.
 - 4) All 575 Vac drives are non-stocked items. Consult WEG for availability.
- For other technical data please refer to WEG product manual.

CFW09 Replace with CFW700 & CFW11
NEMA 1 Enclosure NEMA 1 Enclosure

Motor Voltage	ND / VT ¹		HD / CT ¹		CFW09 Catalog Number	Braking Transistor		ND / VT ¹	HD / CT ¹	CFW700 Catalog Number	Braking Transistor	List Price	Multiplier	
	Motor HP ²	Drive Amps ³	Motor HP ²	Drive Amps ³										Drive Amps ³
Input Power Supply: Single or Three-Phase 200-240 Vac with Dynamic Braking Transistor														
230 Vac	1 1/2	6.0	1 1/2	6.0	CFW-090006TDZ	Yes		6.0	5.0	CFW700A06P0B2DBN1	Yes	\$1,370	V1	
	2	7.0	2	7.0	CFW-090007TDZ	Yes		7.0	7.0	CFW700A07P0B2DBN1	Yes	\$1,430	V1	
	Input Power Supply: Three-Phase 200-240 Vac with Dynamic Braking Transistor													
	3	10	3	10	CFW-090010TDZ	Yes		13	11	CFW700A13P0T2DBN1	Yes	\$1,440	V1	
	3	13	3	13	CFW-090013TDZ	Yes		16	13	CFW700A16P0T2DBN1	Yes	\$1,542	V1	
	5	16	5	16	CFW-090016TDZ	Yes		24	20	CFW700B24P0T2DBN1	Yes	\$2,020	V1	
	7 1/2	24	7 1/2	24	CFW-090024TDZ	Yes		28	24	CFW700B28P0T2DBN1	Yes	\$2,201	V1	
	10	28	10	28	CFW-090028TDZ	Yes		33.5	28	CFW700B33P5T2DBN1	Yes	\$2,600	V1	
	15	45	15	45	CFW-090045TDZ	Yes		54	45	CFW700C54P0T2DBN1	Yes	\$3,700	V1	
	25	68	20	54	CFW-090054TDDDBZ	Yes		70	56	CFW700C70P0T2DBN1	Yes	\$4,880	V1	
	30	86	25	70	CFW-090070TDDDBZ	Yes		86	70	CFW700D86P0T2DBN1	Yes	\$6,101	V1	
	40	105	30	86	CFW-090086TDDDBZ	Yes		105	86	CFW700D0105T2DBN1	Yes	\$8,100	V1	
50	130	40	105	CFW-090105TDDDBZ	Yes		142	115	CFW700E142T2DBN1C3	Yes	\$11,500	V1		
50	150	50	130	CFW-090130TDDDBZ	Yes		180	142	CFW700E180T2DBN1C3	Yes	\$15,500	V1		
60	174	50	142	CFW-090142TDDDBZ	Yes		211	180	CFW700E211T2DBN1C3	Yes	\$21,222	V1		
Input Power Supply: Three-Phase 200-240 Vac without Dynamic Braking Transistor														
25	68	20	54	CFW-090054TDZ	No		70	56	CFW700C70P0T2DBN1	Yes	\$3,700	V1		
30	86	25	70	CFW-090070TDZ	No		86	70	CFW700D86P0T2DBN1	Yes	\$4,880	V1		
40	105	30	86	CFW-090086TDZ	No		105	86	CFW700D0105T2DBN1	Yes	\$6,101	V1		
50	130	40	105	CFW-090105TDZ	No		142	115	CFW700E142T2NBN1C3	No	\$10,101	V1		
50	150	50	130	CFW-090130TDZ	No		180	142	CFW700E180T2NBN1C3	No	\$12,999	V1		
60	174	50	142	CFW-090142TDZ	No		180	142	CFW700E180T2NBN1C3	No	\$12,999	V1		
60	180	60	180	CFW-090180TDZ	No		211	180	CFW700E211T2NBN1C3	No	\$18,555	V1		
75	240	75	240	CFW-090240TDZ	No									
Input Power Supply: Three-Phase 380-480 Vac with Dynamic Braking Transistor														
460 Vac	2	3.6	1.5	3.6	CFW-090003TGZ	Yes		3.6	3.6	CFW700A03P6T4DBN1	Yes	\$1,350	V1	
	2	4.0	2	4.0	CFW-090004TGZ	Yes		5.0	5.0	CFW700A05P0T4DBN1	Yes	\$1,444	V1	
	3	5.5	3	5.5	CFW-090005TGZ	Yes		7.0	5.5	CFW700A07P0T4DBN1	Yes	\$1,510	V1	
	5	9.0	5	9.0	CFW-090009TGZ	Yes		10	10	CFW700A10P0T4DBN1	Yes	\$1,600	V1	
	7.5	13	7.5	13	CFW-090013TGZ	Yes		17	13.5	CFW700B17P0T4DBN1	Yes	\$2,055	V1	
	10	16	10	16	CFW-090016TGZ	Yes		24	19	CFW700B24P0T4DBN1	Yes	\$2,455	V1	
	15	24	15	24	CFW-090024TGZ	Yes		31	25	CFW700B31P0T4DBN1	Yes	\$3,450	V1	
	25	36	20	30	CFW-090030TGZ	Yes		38	33	CFW700C38P0T4DBN1	Yes	\$3,888	V1	
	30	45	25	38	CFW-090038TGDBZ	Yes		45	38	CFW700C45P0T4DBN1	Yes	\$5,000	V1	
	40	54	30	45	CFW-090045TGDBZ	Yes		58.5	47	CFW700C58P5T4DBN1	Yes	\$5,800	V1	
	50	70	40	60	CFW-090060TGDBZ	Yes		70.5	61	CFW700D70P5T4DBN1	Yes	\$6,888	V1	
	60	86	50	70	CFW-090070TGDBZ	Yes		88	73	CFW700D88P0T4DBN1	Yes	\$8,100	V1	
	75	105	60	86	CFW-090086TGDBZ	Yes		105	88	CFW700E105T4DBN1C3	Yes	\$11,989	V1	
	100	130	75	105	CFW-090105TGDBZ	Yes		142	115	CFW700E142T4DBN1C3	Yes	\$14,989	V1	
150	174	100	142	CFW-090142TGDBZ	Yes		180	142	CFW700E180T4DBN1C3	Yes	\$20,989	V1		

continued on next page



CFW09
NEMA 1 Enclosure

Replace with

CFW700 & CFW11
NEMA 1 Enclosure

WEG Drives Replacement Guide

Motor Voltage	ND / VT ¹		HD / CT ¹		CFW09 Catalog Number	Braking Transistor		ND / VT ¹	HD / CT ¹	CFW700 Catalog Number	Braking Transistor	List Price	Multiplier
	Motor HP ²	Drive Amps ³	Motor HP ²	Drive Amps ³									
460 Vac	Input Power Supply: Three-Phase 380-480 Vac without Dynamic Braking Transistor												
	30	45	25	30	CFW-090038TGZ	No		38	33	CFW700C38POT4DBN1	Yes	\$3,888	V1
	40	54	30	40	CFW-090045TGZ	No		45	38	CFW700C45POT4DBN1	Yes	\$5,000	V1
	50	70	40	50	CFW-090060TGZ	No		70.5	61	CFW700D70P5T4DBN1	Yes	\$6,888	V1
	60	86	50	60	CFW-090070TGZ	No		70.5	61	CFW700D70P5T4DBN1	Yes	\$6,888	V1
	75	105	60	75	CFW-090086TGZ	No		105	88	CFW700E105T4NBN1C3	No	\$9,999	V1
	100	130	75	100	CFW-090105TGZ	No		142	115	CFW700E142T4NBN1C3	No	\$12,000	V1
	125	174	100	125	CFW-090142TGZ	No		180	142	CFW700E180T4NBN1C3	No	\$15,400	V1
	150	180	150	180	CFW-090180TGZ	No		211	180	CFW700E211T4NBN1C3	No	\$18,787	V1
	150	211	150	211	CFW-090211TGZ	No		312	242	CFW110312T4SZ 5	No	\$29,366	V1
	200	240	200	240	CFW-090240TGZ	No		312	242	CFW110312T4SZ 5	No	\$29,366	V1
	250	312	250	312	CFW-090312TGZ	No		370	312	CFW110370T4SZ 5	No	\$31,314	V1
	300	361	300	361	CFW-090361TGZ	No		477	370	CFW110477T4SZ 5	No	\$41,027	V1
	350	450	350	450	CFW-090450TGZ	No		515	477	CFW110515T4SZ 5	No	\$43,970	V1
	400	515	400	515	CFW-090515TGZ	No		601	515	CFW110601T4SZ 5	No	\$50,088	V1
500	600	500	600	CFW-090600TGZ	No		720	560	CFW110720T4SZ 5	No	\$59,330	V1	
575 Vac ⁴	Input Power Supply: Three-Phase 500-600 Vac with Dynamic Braking Transistor												
	3	4.2	2	2.9	CFW-090002THZ	Yes		4.2	3.8	CFW700B04P2T5DBN1	Yes	\$1,759	V1
	5	7.0	3	4.2	CFW-090004THZ	Yes		7.0	6.5	CFW700B07POT5DBN1	Yes	\$1,874	V1
	7 1/2	10	5	7.0	CFW-090007THZ	Yes		10	9.0	CFW700B10POT5DBN1	Yes	\$2,048	V1
	10	12	7 1/2	10	CFW-090010THZ	Yes		12	10	CFW700B12POT5DBN1	Yes	\$2,171	V1
	15	14	10	12	CFW-090012THZ	Yes		17	17	CFW700B17POT5DBN1	Yes	\$2,552	V1
	15	14	15	14	CFW-090014THZ	Yes		17	17	CFW700B17POT5DBN1	Yes	\$2,552	V1
	25	27	20	32	CFW-090022THDBZ	Yes		27	22	CFW700D27POT5DBN1	Yes	\$4,506	V1
	30	32	25	27	CFW-090027THDBZ	Yes		32	27	CFW700D32POT5DBN1	Yes	\$6,486	V1
	30	32	30	32	CFW-090032THDBZ	Yes		44	36	CFW700D44POT5DBN1	Yes	\$7,309	V1
	50	53	40	44	CFW-090044THDBZ	Yes		53	44	CFW700E53POT5DBN1C3	Yes	\$9,118	V1
	60	63	50	53	CFW-090053THDBZ	Yes		63	53	CFW700E63POT5DBN1C3	Yes	\$11,580	V1
	75	79	60	63	CFW-090063THDBZ	Yes		80	66	CFW700E80POT5DBN1C3	Yes	\$12,091	V1
	100	99	75	79	CFW-090079THDBZ	Yes		107	90	CFW700E107T5DBN1C3	Yes	\$16,240	V1
	Input Power Supply: Three-Phase 500-600 Vac without Dynamic Braking Transistor												
	25	27	20	22	CFW-090022THZ	No		27	22	CFW700D27POT5NBN1	No	\$4,450	V1
	30	32	25	27	CFW-090027THZ	No		32	27	CFW700D32POT5NBN1	No	\$5,763	V1
	30	32	30	32	CFW-090032THZ	No		44	36	CFW700D44POT5NBN1	No	\$6,768	V1
	50	53	40	44	CFW-090044THZ	No		53	44	CFW700E53POT5NBN1C3	No	\$8,446	V1
60	63	50	53	CFW-090053THZ	No		63	53	CFW700E63POT5NBN1C3	No	\$10,728	V1	
75	79	60	63	CFW-090063THZ	No		80	66	CFW700E80POT5NBN1C3	No	\$11,200	V1	
100	99	75	79	CFW-090079THZ	No		107	90	CFW700E107T5NBN1C3	No	\$15,042	V1	
150	147	100	107	CFW-090107THZ	No		150	122	CFW700E150T5NBN1C3	No	\$21,723	V1	
200	196	150	147	CFW-090147THZ	No		216	180	CFW110216T60YZ	No	\$40,206	V1	
200	211	200	211	CFW-090211THZ	No		289	240	CFW110289T60YZ	No	\$48,913	V1	
300	315	250	247	CFW-090247THZ	No		315	289	CFW110315T60YZ	No	\$54,936	V1	
350	343	300	315	CFW-090315THZ	No		365	315	CFW110365T60YZ	No	\$71,061	V1	
400	418	350	343	CFW-090343THZ	No		435	357	CFW110435T60YZ	No	\$76,125	V1	
500	472	400	418	CFW-090418THZ	No		584	504	CFW110584T60YZ	No	Contact Factory		
600	555	500	472	CFW-090472THZ	No		584	504	CFW110584T60YZ	No	Contact Factory		

Notes:

- 1) "HP" rating based on "average FLA values". Use as a guide only.
- 2) Motor FLA may vary with speed and manufacturer. ALWAYS compare motor FLA to Nominal AMPS of drive.

- 3) CFW08 Plus NEMA1 drives are non-stocked items. Consult WEG for availability.
- 4) All 575 Vac drives are non-stocked items. Consult WEG for availability.
- 5) CFW11 drives are shown where no CFW700 drive is available. For other technical data please refer to WEG product manual.



CATALOG INDEX

General Information
 CFW100
 CFW300
 CFW500
 CFW700
 CFW11
 CFW11M
 PUMP GENIUS
 CFW700 SINGLE PHASE
 CFW08 WASH
 CFW501
 CFW701
 HWW701
 SSW05
 SSW07
 SSW06
 EDP11 EDP700
 GPH2
 TPH2

Part Number	Price	Page
CFW100A01P6S220	\$302	12
CFW100B02P6S220	\$346	12
CFW100C04P2S220	\$396	12
CFW100-IOAR	\$74	12
CFW100-IOA	\$90	12
CFW100-IOD	\$75	12
CFW100-IODR	\$220	12
CFW100-IOADR	\$230	12
CFW100-CUSB	\$128	12
CFW100-CRS485	\$82	12
CFW100-CCAN	\$195	12
CFW100-MMF	\$210	12
CFW100-KHMIR	\$256	12
CFW100-KFABC	\$82	12
CFW300A01P6S1NB20	\$361	16
CFW300A02P6S1NB20	\$394	16
CFW300A04P2S1NB20	\$420	16
CFW300A06POS1NB20	\$507	16
CFW300A01P6S2NB20	\$323	16
CFW300A02P6S2NB20	\$348	16
CFW300A04P2S2NB20	\$371	16
CFW300A06POS2NB20	\$461	16
CFW300A07P3S2NB20	\$543	16
CFW300B10P0B2DB20	\$648	16
CFW300A01P6T2NB20	\$343	16
CFW300A02P6T2NB20	\$376	16
CFW300A04P2T2NB20	\$399	16
CFW300A06POT2NB20	\$484	16
CFW300A07P3T2NB20	\$571	16
CFW300B10P0B2DB20	\$648	16
CFW300B15P2T2DB20	\$792	16
CFW300-IOAR	\$141	16
CFW300-IODR	\$108	16
CFW300-IOAENC	\$143	16
CFW300-IOADR	\$207	16
CFW300-CRS485	\$82	16
CFW300-CUSB	\$87	16
CFW300-CRS232	\$82	16
CFW300-CCAN	\$100	16
CFW300-CPDP	\$294	16
CFW300-KHMIR	\$256	16
CFW300-MMF	\$210	16
CFW300-KFA	\$90	16
CFW300-KFB	\$105	16
CFW500A01P6S2NB20	\$423	21
CFW500A02P6S2NB20	\$435	21
CFW500A04P3S2NB20	\$471	21
CFW500A07POS2NB20	\$605	21
CFW500A01P6B2NB20	\$428	21

Part Number	Price	Page
CFW500A02P6B2NB20	\$439	21
CFW500A04P3B2NB20	\$478	21
CFW500B07P3B2DB20	\$645	21
CFW500B10P0B2DB20	\$756	21
CFW500A07POT2NB20	\$600	21
CFW500A09P6T2NB20	\$745	21
CFW500B16POT2DB20	\$809	21
CFW500C24POT2DB20	\$1,384	21
CFW500D28POT2DB20	\$1,721	21
CFW500D33POT2DB20	\$2,090	21
CFW500D47POT2DB20	\$2,854	21
CFW500E56POT2DB20	\$3,316	21
CFW500A01P0T4NB20	\$554	21
CFW500A01P6T4NB20	\$576	21
CFW500A02P6T4NB20	\$621	21
CFW500A04P3T4NB20	\$771	21
CFW500A06P1T4NB20	\$954	21
CFW500B02P6T4DB20	\$675	21
CFW500B04P3T4DB20	\$859	21
CFW500B06P5T4DB20	\$1,034	21
CFW500B10POT4DB20	\$1,174	21
CFW500C14POT4DB20	\$1,452	21
CFW500C16POT4DB20	\$1,641	21
CFW500D24POT4DB20	\$2,173	21
CFW500D31POT4DB20	\$2,727	21
CFW500E39POT4DB20	\$3,282	21
CFW500E49POT4DB20	\$4,150	21
CFW500C01P7T5DB20	\$871	21
CFW500C03POT5DB20	\$916	21
CFW500C04P3T5DB20	\$1,035	21
CFW500C07POT5DB20	\$1,235	21
CFW500C10POT5DB20	\$1,576	21
CFW500C12POT5DB20	\$1,768	21
CFW500A01P6S2NBN1	\$451	22
CFW500A02P6S2NBN1	\$463	22
CFW500A04P3S2NBN1	\$499	22
CFW500A07POS2NBN1	\$633	22
CFW500A01P6B2NBN1	\$456	22
CFW500A02P6B2NBN1	\$467	22
CFW500A04P3B2NBN1	\$506	22
CFW500B07P3B2DBN1	\$678	22
CFW500B10P0B2DBN1	\$789	22
CFW500A07POT2NBN1	\$628	22
CFW500A09P6T2NBN1	\$773	22
CFW500B16POT2DBN1	\$842	22
CFW500C24POT2DBN1	\$1,427	22
CFW500D28POT2DBN1	\$1,777	22
CFW500D33POT2DBN1	\$2,146	22
CFW500D47POT2DBN1	\$2,910	22

Part Number	Price	Page
CFW500E56P0T2DBN1	\$3,380	22
CFW500A01P0T4NBN1	\$582	22
CFW500A01P6T4NBN1	\$604	22
CFW500A02P6T4NBN1	\$649	22
CFW500A04P3T4NBN1	\$799	22
CFW500A06P1T4NBN1	\$982	22
CFW500B02P6T4DBN1	\$708	22
CFW500B04P3T4DBN1	\$892	22
CFW500B06P5T4DBN1	\$1,067	22
CFW500B10P0T4DBN1	\$1,207	22
CFW500C14P0T4DBN1	\$1,495	22
CFW500C16P0T4DBN1	\$1,684	22
CFW500D24P0T4DBN1	\$2,229	22
CFW500D31P0T4DBN1	\$2,783	22
CFW500E39P0T4DBN1	\$3,346	22
CFW500E49P0T4DBN1	\$4,214	22
CFW500C01P7T5DBN1	\$910	22
CFW500C03P0T5DBN1	\$954	22
CFW500C04P3T5DBN1	\$1,073	22
CFW500C07P0T5DBN1	\$1,276	22
CFW500C10P0T5DBN1	\$1,621	22
CFW500C12P0T5DBN1	\$1,813	22
CFW500-IOS 1	\$110	23
CFW500-IOD	\$141	23
CFW500-IOAD	\$182	23
CFW500-IOR	\$125	23
CFW500-ENC		23
CFW500-CUSB	\$210	23
CFW500-CRS232	\$138	23
CFW500-CRS485	\$143	23
CFW500-CCAN	\$138	23
CFW500-CPDP	\$405	23
CFW500-CPDP2	\$445	23
CFW500-CEMB-TCP	\$499	23
CFW500-CEPN-IO	\$499	23
CFW500-CETH-IP	\$499	23
CFW500-MMF	\$189	23
CFW500-HMIR 2	\$169	23
CSW-SP3PBS	\$460	23
CSW30-SP3PBS	\$535	23
CFW500-CCHMIRO1M	\$23	23
CFW500-CCHMIRO2M	\$31	23
CFW500-CCHMIRO3M	\$41	23
CFW500-CCHMIRO5M	\$51	23
CFW500-CCHMIRO75M	\$61	23
CFW500-CCHMIRO10M	\$72	23
CFW500-USB02M	\$50	23
CFW500-KN1A	\$28	23
CFW500-KN1B	\$33	23

Part Number	Price	Page
CFW500-KN1C	\$44	23
CFW500-KN1D	\$59	23
CFW500-KN1E	\$64	23
CFW500-KPCSA	\$41	23
CFW500-KPCSB	\$44	23
CFW500-KPCSC	\$46	23
CFW500-KPCSD	\$51	23
CFW700A06P0B2DBN1	\$1,370	28
CFW700A07P0B2DBN1	\$1,430	28
CFW700A10P0S2DBN1	\$1,510	28
CFW700A07P0T2DBN1	\$1,350	28
CFW700A10P0T2DBN1	\$1,410	28
CFW700A13P0T2DBN1	\$1,440	28
CFW700A16P0T2DBN1	\$1,542	28
CFW700B24P0T2DBN1	\$2,020	28
CFW700B28P0T2DBN1	\$2,201	28
CFW700B33P5T2DBN1	\$2,600	28
CFW700C45P0T2DBN1	\$2,900	28
CFW700C54P0T2DBN1	\$3,700	28
CFW700C70P0T2DBN1	\$4,880	28
CFW700D86P0T2DBN1	\$6,101	28
CFW700D0105T2DBN1	\$8,100	28
CFW700E142T2DBN1C3	\$11,500	28
CFW700E180T2DBN1C3	\$15,500	28
CFW700E211T2DBN1C3	\$21,222	28
CFW700E142T2NBN1C3	\$10,101	28
CFW700E180T2NBN1C3	\$12,999	28
CFW700E211T2NBN1C3	\$18,555	28
CFW700A03P6T4DBN1	\$1,350	29
CFW700A05P0T4DBN1	\$1,444	29
CFW700A07P0T4DBN1	\$1,510	29
CFW700A10P0T4DBN1	\$1,600	29
CFW700A13P5T4DBN1	\$1,711	29
CFW700B17P0T4DBN1	\$2,055	29
CFW700B24P0T4DBN1	\$2,455	29
CFW700B31P0T4DBN1	\$3,450	29
CFW700C38P0T4DBN1	\$3,888	29
CFW700C45P0T4DBN1	\$5,000	29
CFW700C58P5T4DBN1	\$5,800	29
CFW700D70P5T4DBN1	\$6,888	29
CFW700D88P0T4DBN1	\$8,100	29
CFW700E105T4DBN1C3	\$11,989	29
CFW700E142T4DBN1C3	\$14,989	29
CFW700E180T4DBN1C3	\$20,989	29
CFW700E211T4DBN1C3	\$25,989	29
CFW700E105T4NBN1C3	\$9,999	29
CFW700E142T4NBN1C3	\$12,000	29
CFW700E180T4NBN1C3	\$15,400	29
CFW700E0211T4NBN1C3	\$18,787	29



CATALOG INDEX

General Information

CFW100

CFW300

CFW500

CFW700

CFW11

CFW11M

PUMP GENIUS

CFW700 SINGLE PHASE

CFW08 WASH

CFW501

CFW701

HVW701

SSW05

SSW07

SSW06

EDP11 EDP700

GPH2

TPH2

Part Number	Price	Page
CFW700B02P9T5DBN1	\$1,689	30
CFW700B04P2T5DBN1	\$1,759	30
CFW700B07P0T5DBN1	\$1,874	30
CFW700B10P0T5DBN1	\$2,048	30
CFW700B12P0T5DBN1	\$2,171	30
CFW700B17P0T5DBN1	\$2,552	30
CFW700D22P0T5DBN1	\$4,235	30
CFW700D27P0T5DBN1	\$4,506	30
CFW700D32P0T5DBN1	\$6,486	30
CFW700D44P0T5DBN1	\$7,309	30
CFW700E53P0T5DBN1C3	\$9,118	30
CFW700E63P0T5DBN1C3	\$11,580	30
CFW700E80P0T5DBN1C3	\$12,091	30
CFW700E0107T5DBN1C3	\$16,240	30
CFW700E0125T5DBN1C3	\$16,910	30
CFW700E0150T5DBN1C3	\$23,456	30
CFW700D22P0T5NBN1	\$3,921	30
CFW700D27P0T5NBN1	\$4,450	30
CFW700D32P0T5NBN1	\$5,763	30
CFW700D44P0T5NBN1	\$6,768	30
CFW700E53P0T5NBN1C3	\$8,446	30
CFW700E63P0T5NBN1C3	\$10,728	30
CFW700E80P0T5NBN1C3	\$11,200	30
CFW700E0107T5NBN1C3	\$15,042	30
CFW700E0125T5NBN1C3	\$15,662	30
CFW700E0150T5NBN1C3	\$21,723	30
CAN-01	\$410	31
PROFIBUS DP-01	\$520	31
CCK-01	\$105	31
MMF-02	\$71	31
HMI-02	\$320	31
RHMIF-02	\$69	31
HMI-03	\$320	31
RHMIF-03	\$69	31
HMID-01	\$54	31
IHM-CAB-RS-1M	\$54	31
IHM-CAB-RS-2M	\$60	31
IHM-CAB-RS-3M	\$66	31
IHM-CAB-RS-5M	\$75	31
IHM-CAB-RS-7.5M	\$90	31
IHM-CAB-RS-10M	\$102	31
CSW-SP3PBS	\$460	31
CSW30-SP3PBS	\$535	31
KN1A-02	\$125	31
KN1B-02	\$125	31
KN1C-02	\$142	31
KN1E-01	\$78	31
KN1E-02	\$213	31
KIP21D-01	\$120	31

Part Number	Price	Page
PCSA-01	\$48	31
PCSB-01	\$51	31
PCSC-01	\$54	31
PCSD-01	\$56	31
PCSE-01	\$76	31
CFDB5-125-224	\$520	33
CFDB5-95-298	\$749	33
CFDB5-95-298	\$749	33
CFDB5-63-448	\$749	33
CFDB5-63-448	\$749	33
CFDB5-38-746	\$941	33
CFDB5-38-746	\$941	33
CFDB5-26-1119	\$1,130	33
CFDB5-19-1492	\$1,322	33
CFDB5-19-1492	\$1,322	33
CFDB5-13-2238	\$1,644	33
CFDB5-10-2984	\$1,644	33
CFDB5-8-3730	\$1,997	33
CFDB5-7-4476	\$2,588	33
CFDB5-5-5968	\$3,269	33
CFDB5-4-7460	\$3,820	33
CFDB5-4-8952	\$3,820	33
CFDB5-3-11190	\$5,622	33
CFDB5-375-298	\$749	33
CFDB5-250-448	\$749	33
CFDB5-150-746	\$941	33
CFDB5-100-1119	\$1,130	33
CFDB5-75-1492	\$1,322	33
CFDB5-75-1492	\$1,322	33
CFDB5-50-2238	\$1,820	33
CFDB5-38-2984	\$2,201	33
CFDB5-30-3730	\$2,511	33
CFDB5-25-4476	\$2,511	33
CFDB5-19-5968	\$2,938	33
CFDB2-15-8952	\$4,328	33
CFDB5-10-11190	\$5,659	33
CFDB5-10-11190	\$5,659	33
CFDB5-8-18650	\$9,560	33
CFDB5-5-22380	\$11,854	33
CFDB5-5-29840	\$11,854	33
CFDB5-125-560	\$941	34
CFDB5-95-746	\$941	34
CFDB5-95-746	\$941	34
CFDB5-63-1119	\$1,130	34
CFDB5-63-1119	\$1,130	34
CFDB5-38-1865	\$1,820	34
CFDB5-38-1865	\$1,820	34
CFDB5-26-2798	\$2,511	34
CFDB5-19-3730	\$2,511	34



Part Number	Price	Page
CFDB5-19-3730	\$2,511	34
CFDB5-13-5595	\$2,938	34
CFDB5-10-7460	\$4,663	34
CFDB5-8-9325	\$4,663	34
CFDB5-7-11190	\$5,254	34
CFDB5-5-14920	\$6,762	34
CFDB5-4-18650	\$10,325	34
CFDB5-4-22380	\$10,325	34
CFDB5-3-27975	\$10,325	34
CFDB5-375-746	\$1,130	34
CFDB5-250-1119	\$1,511	34
CFDB5-150-1865	\$1,703	34
CFDB5-100-2798	\$1,892	34
CFDB5-75-3730	\$2,938	34
CFDB5-75-3730	\$2,938	34
CFDB5-50-5595	\$4,254	34
CFDB5-38-7460	\$4,254	34
CFDB5-30-9325	\$4,715	34
CFDB5-25-11190	\$5,071	34
CFDB5-19-14920	\$8,858	34
CFDB2-15-22380	\$10,176	34
CFDB5-10-27975	\$14,625	34
CFDB5-10-27975	\$14,625	34
CFDB5-8-46625	\$16,923	34
CFDB5-5-55950	\$18,814	34
CFDB5-5-74600	\$31,678	34
LRW012D3N1	\$436	35
LRW018D3N1	\$512	35
LRW025D3N1	\$590	35
LRW035D3N1	\$634	35
LRW045D3N1	\$756	35
LRW055D3N1	\$890	35
LRW080D3N1	\$905	35
LRW100D3N1	\$1,086	35
LRW130D3N1	\$1,175	35
LRW160D3N1	\$1,424	35
LRW200D3N1	\$1,488	35
LRW002G3N1	\$387	35
LRW004G3N1	\$394	35
LRW008G3N1	\$415	35
LRW012G3N1	\$452	35
LRW018G3N1	\$519	35
LRW025G3N1	\$601	35
LRW035G3N1	\$715	35
LRW045G3N1	\$841	35
LRW055G3N1	\$987	35
LRW080G3N1	\$1,179	35
LRW100G3N1	\$1,450	35
LRW130G3N1	\$1,750	35

Part Number	Price	Page
LRW160G3N1	\$2,060	35
LRW200G3N1	\$2,400	35
LRW250G3N1	\$2,990	35
LRW320G3N1	\$3,700	35
LRW400G3N1	\$4,962	35
LRW500G3N1	\$6,446	35
LRW600G3N1	\$7,950	35
LRW1000G3N1	\$9,788	35
CFW110006B20N1Z	\$1,644	39
CFW110007B20N1Z	\$1,716	39
CFW110010S20N1Z	\$1,812	39
CFW110007T20N1Z	\$1,620	39
CFW110010T20N1Z	\$1,692	39
CFW110013T20N1Z	\$1,728	39
CFW110016T20N1Z	\$1,850	39
CFW110024T20N1Z	\$2,424	39
CFW110028T20N1Z	\$2,641	39
CFW110033T20N1Z	\$3,190	39
CFW110045T20N1Z	\$3,641	39
CFW110054T20N1Z	\$4,400	39
CFW110070T20N1Z	\$6,600	39
CFW110086T20N1Z	\$7,222	39
CFW110105T20N1Z	\$9,000	39
CFW110142T20N1DBZ	\$12,720	39
CFW110180T20N1DBZ	\$17,555	39
CFW110211T20N1DBZ	\$24,380	39
CFW110142T20N1Z	\$11,649	39
CFW110180T20N1Z	\$15,125	39
CFW110211T20N1Z	\$21,560	39
CFW110003T40N1Z	\$1,616	40
CFW110005T40N1Z	\$1,650	40
CFW110007T40N1Z	\$1,712	40
CFW110010T40N1Z	\$1,969	40
CFW110013T40N1Z	\$2,068	40
CFW110017T40N1Z	\$2,530	40
CFW110024T40N1Z	\$2,992	40
CFW110031T40N1Z	\$3,873	40
CFW110038T40N1Z	\$4,300	40
CFW110045T40N1Z	\$5,400	40
CFW110058T40N1Z	\$6,633	40
CFW110070T40N1Z	\$7,500	40
CFW110088T40N1Z	\$8,900	40
CFW110105T40N1DBZ	\$13,600	40
CFW110142T40N1DBZ	\$15,900	40
CFW110180T40N1DBZ	\$23,115	40
CFW110211T40N1Z	\$27,020	40
CFW110105T40N1Z	\$10,650	40
CFW110142T40N1Z	\$12,500	40
CFW110180T40N1Z	\$17,500	40



CATALOG INDEX

General Information

CFW100

CFW300

CFW500

CFW700

CFW11

CFW11M

PUMP GENIUS

CFW700 SINGLE PHASE

CFW08 WASH

CFW501

CFW701

HVW701

SSW05

SSW07

SSW06

EDP11 EDP700

GPH2

TPH2

Part Number	Price	Page
CFW110211T40N1Z	\$21,000	40
CFW110242T4SZ	\$23,000	40
CFW110312T4SZ	\$29,366	40
CFW110370T4SZ	\$31,314	40
CFW110477T4SZ	\$41,027	40
CFW110515T4SZ	\$43,970	40
CFW110601T4SZ	\$50,088	40
CFW110720T4SZ	\$59,330	40
CFW110795T40YZ-LR	\$66,157	40
CFW110877T40YZ-LR	\$74,135	40
CFW111062T40YZ-LR	\$92,842	40
CFW111141T40YZ-LR	\$105,623	40
CFW110002T50N1NFZ	\$2,393	41
CFW110004T50N1NFZ	\$2,360	41
CFW110007T50N1NFZ	\$2,516	41
CFW110010T50N1NFZ	\$2,850	41
CFW110012T50N1NFZ	\$2,998	41
CFW110017T50N1NFZ	\$3,145	41
CFW110022T50N1NFZ	\$4,748	41
CFW110027T50N1NFZ	\$5,023	41
CFW110032T50N1NFZ	\$5,803	41
CFW110044T50N1NFZ	\$7,175	41
CFW110053T60N1YZ	\$12,166	41
CFW110063T60N1YZ	\$12,932	41
CFW110080T60N1YZ	\$13,979	41
CFW110107T60N1YZ	\$23,951	41
CFW110125T60N1YZ	\$29,042	41
CFW110150T60N1YZ	\$33,040	41
CFW110053T60N1NBYZ	\$9,887	41
CFW110063T60N1NBYZ	\$10,510	41
CFW110080T60N1NBYZ	\$11,358	41
CFW110107T60N1NBYZ	\$19,458	41
CFW110125T60N1NBYZ	\$23,589	41
CFW110150T60N1NBYZ	\$32,080	41
CFW110170T60YZ	\$33,083	41
CFW110216T60YZ	\$40,206	41
CFW110289T60YZ	\$48,913	41
CFW110315T60YZ	\$54,936	41
CFW110365T60YZ	\$71,061	41
CFW110435T60YZ	\$76,125	41
CFW110584T60YZ-LR	\$78,880	41
CFW110625T60YZ-LR	\$85,780	41
CFW110758T60YZ-LR	\$102,734	41
CFW110804T60YZ-LR	\$114,957	41
IOA-01	\$1,100	42
IOB-01	\$600	42
IOC-01	\$447	42
IOC-02	\$411	42
IOE-01	\$668	42

Part Number	Price	Page
IOE-02	\$1,741	42
IOE-03	\$863	42
ENC-01	\$500	42
ENC-02	\$430	42
RS485-01	\$240	42
RS232-01	\$180	42
RS232-02	\$180	42
CAN/RS485-01	\$480	42
CAN-01	\$410	42
ETHERCAT-01	\$1,320	42
PROFIBUS DP-01	\$520	42
PROFDP-05	\$935	42
DEVICENET-05	\$935	42
ETHERNET/IP-05	\$935	42
ETHERNETIP-2P-05	\$1,067	42
RS232-05	\$228	42
RS485-05	\$275	42
MODBUSTCP-05	\$1,381	42
PROFINET IO-05	\$1,594	42
PLC11-01	\$1,876	42
PLC11-02	\$1,221	42
MMF-01	\$71	42
MMF-03	\$71	42
HMI-01	\$320	43
RHMIF-01	\$69	43
HMID-01	\$54	43
IHM-CAB-RS-1M	\$54	43
IHM-CAB-RS-2M	\$60	43
IHM-CAB-RS-3M	\$66	43
IHM-CAB-RS-5M	\$75	43
IHM-CAB-RS-7.5M	\$90	43
IHM-CAB-RS-10M	\$102	43
CSW-SP3PBS	\$460	43
CSW30-SP3PBS	\$535	43
KN1A-01	\$69	43
KN1B-01	\$82	43
KN1C-01	\$94	43
KIP21D-01	\$100	43
KN1E-01	\$78	43
KN1E-02	\$213	43
KN1F-01	\$390	43
KN1G-01	\$445	43
PCSA-01	\$48	43
PCSB-01	\$51	43
PCSC-01	\$54	43
PCSD-01	\$56	43
PCSE-01	\$76	43
DBW03-CFW11 F & G	\$6,822	43
CFDB2-125-224	\$520	45



Part Number	Price	Page
CFDB2-95-298	\$749	45
CFDB2-95-298	\$749	45
CFDB2-63-448	\$749	45
CFDB2-63-448	\$749	45
CFDB2-38-746	\$941	45
CFDB2-38-746	\$941	45
CFDB5-26-1119	\$1,130	45
CFDB2-19-1492	\$1,322	45
CFDB2-19-1492	\$1,322	45
CFDB2-13-2238	\$1,644	45
CFDB2-10-2984	\$1,644	45
CFDB2-8-3730	\$1,997	45
CFDB2-7-4476	\$2,588	45
CFDB2-5-5968	\$3,269	45
CFDB2-4-7460	\$3,820	45
CFDB2-4-8952	\$3,820	45
CFDB2-3-11190	\$5,622	45
CFDB2-375-298	\$749	45
CFDB2-250-448	\$749	45
CFDB2-150-746	\$941	45
CFDB2-100-1119	\$1,130	45
CFDB2-75-1492	\$1,322	45
CFDB2-75-1492	\$1,322	45
CFDB2-50-2238	\$1,820	45
CFDB2-38-2984	\$2,201	45
CFDB2-30-3730	\$2,511	45
CFDB2-25-4476	\$2,511	45
CFDB2-19-5968	\$2,938	45
CFDB2-15-8952	\$4,328	45
CFDB2-10-11190	\$5,659	45
CFDB2-10-11190	\$5,659	45
CFDB2-8-18650	\$9,560	45
CFDB2-5-22380	\$11,854	45
CFDB2-5-29840	\$11,854	45
CFDB2-4-29840	\$11,854	45
CFDB2-3-37300	\$12,533	45
CFDB2-3-44760	\$15,393	45
CFDB2-3-52220	\$21,406	45
CFDB2-2-59680	\$22,167	45
CFDB2-2-74600	\$32,077	45
CFDB5-125-560	\$941	46
CFDB5-95-746	\$941	46
CFDB5-95-746	\$941	46
CFDB5-63-1119	\$1,130	46
CFDB5-63-1119	\$1,130	46
CFDB5-38-1865	\$1,820	46
CFDB5-38-1865	\$1,820	46
CFDB5-26-2798	\$2,511	46
CFDB5-19-3730	\$2,511	46

Part Number	Price	Page
CFDB5-19-3730	\$2,511	46
CFDB5-13-5595	\$2,938	46
CFDB5-10-7460	\$4,663	46
CFDB5-8-9325	\$4,663	46
CFDB5-7-11190	\$5,254	46
CFDB5-5-14920	\$6,762	46
CFDB5-4-18650	\$10,325	46
CFDB5-4-22380	\$10,325	46
CFDB5-3-27975	\$10,325	46
CFDB5-375-746	\$1,130	46
CFDB5-250-1119	\$1,511	46
CFDB5-150-1865	\$1,703	46
CFDB5-100-2798	\$1,892	46
CFDB5-75-3730	\$2,938	46
CFDB5-75-3730	\$2,938	46
CFDB5-50-5595	\$4,254	46
CFDB5-38-7460	\$4,254	46
CFDB5-30-9325	\$4,715	46
CFDB5-25-11190	\$5,071	46
CFDB5-19-14920	\$8,858	46
CFDB5-15-22380	\$10,176	46
CFDB5-10-27975	\$14,625	46
CFDB5-10-27975	\$14,625	46
CFDB5-8-46625	\$16,923	46
CFDB5-5-55950	\$18,814	46
CFDB5-5-74600	\$31,678	46
CFDB5-4-74600	\$31,678	46
CFDB5-3-93250	\$31,678	46
CFDB5-3-111900	\$54,028	46
CFDB5-3-130550	\$54,028	46
CFDB5-2-149200	\$73,288	46
CFDB5-2-186500	\$73,288	46
LRW012D3N1	\$436	47
LRW018D3N1	\$512	47
LRW025D3N1	\$590	47
LRW035D3N1	\$634	47
LRW045D3N1	\$756	47
LRW055D3N1	\$890	47
LRW080D3N1	\$905	47
LRW100D3N1	\$1,086	47
LRW130D3N1	\$1,175	47
LRW160D3N1	\$1,424	47
LRW200D3N1	\$1,488	47
LRW002G3N1	\$387	47
LRW004G3N1	\$394	47
LRW008G3N1	\$415	47
LRW012G3N1	\$452	47
LRW018G3N1	\$519	47
LRW025G3N1	\$601	47

General Information
CFW100
CFW300
CFW500
CFW700
CFW11
CFW11M
PUMP GENIUS
CFW700 SINGLE PHASE
CFW08 WASH
CFW501
CFW701
HVV701
SSW05
SSW07
SSW06
EDP11 EDP700
GPH2
TPH2



CATALOG INDEX

General Information

CFW100

CFW300

CFW500

CFW700

CFW11

CFW11M

PUMP GENIUS

CFW700 SINGLE PHASE

CFW08 WASH

CFW501

CFW701

HVW701

SSW05

SSW07

SSW06

EDP11 EDP700

GPH2

TPH2

Part Number	Price	Page
LRW035G3N1	\$715	47
LRW045G3N1	\$841	47
LRW055G3N1	\$987	47
LRW080G3N1	\$1,179	47
LRW100G3N1	\$1,450	47
LRW130G3N1	\$1,750	47
LRW160G3N1	\$2,060	47
LRW200G3N1	\$2,400	47
LRW250G3N1	\$2,990	47
LRW320G3N1	\$3,700	47
LRW400G3N1	\$4,962	47
LRW500G3N1	\$6,446	47
LRW600G3N1	\$7,950	47
LRW1000G3N1	\$9,788	47
CFW11M0600T4Z	\$70,404	50
CFW11M0760T4Z	\$93,867	50
CFW11M0865T4Z	\$101,514	50
CFW11M0985T4Z	\$111,015	50
CFW11M1140T4Z	\$132,772	50
CFW11M1710T4Z	\$182,457	50
CFW11M2280T4Z	\$233,163	50
CFW11M2850T4Z	\$281,783	50
CFW11M0470T5Z	\$88,827	50
CFW11M0893T5Z	\$162,206	50
CFW11M1340T5Z	\$219,195	50
CFW11M1786T5Z	\$283,971	50
CFW11M2232T5Z	\$330,727	50
CFW11M0427T6Z	\$89,511	50
CFW11M0811T6Z	\$161,924	50
CFW11M1217T6Z	\$220,669	50
CFW11M1622T6Z	\$283,380	50
CFW11M2026T6Z	\$329,690	50
CFW110006B20N1Z-PGS	\$1,779	55
CFW110007B20N1Z-PGS	\$1,851	55
CFW110010S20N1Z-PGS	\$1,947	55
CFW110007T20N1Z-PGS	\$1,755	55
CFW110010T20N1Z-PGS	\$1,827	55
CFW110013T20N1Z-PGS	\$1,863	55
CFW110016T20N1Z-PGS	\$1,985	55
CFW110024T20N1Z-PGS	\$2,559	55
CFW110028T20N1Z-PGS	\$2,776	55
CFW110033T20N1Z-PGS	\$3,325	55
CFW110045T20N1Z-PGS	\$3,776	55
CFW110054T20N1Z-PGS	\$4,535	55
CFW110070T20N1Z-PGS	\$6,735	55
CFW110086T20N1Z-PGS	\$7,357	55
CFW110105T20N1Z-PGS	\$9,135	55
CFW110142T20N1Z-PGS	\$11,784	55
CFW110180T20N1Z-PGS	\$15,260	55

Part Number	Price	Page
CFW110211T20N1Z-PGS	\$21,695	55
CFW110003T40N1Z-PGS	\$1,751	56
CFW110005T40N1Z-PGS	\$1,785	56
CFW110007T40N1Z-PGS	\$1,847	56
CFW110010T40N1Z-PGS	\$2,104	56
CFW110013T40N1Z-PGS	\$2,203	56
CFW110017T40N1Z-PGS	\$2,665	56
CFW110024T40N1Z-PGS	\$3,127	56
CFW110031T40N1Z-PGS	\$4,008	56
CFW110038T40N1Z-PGS	\$4,435	56
CFW110045T40N1Z-PGS	\$5,535	56
CFW110058T40N1Z-PGS	\$6,768	56
CFW110070T40N1Z-PGS	\$7,635	56
CFW110088T40N1Z-PGS	\$9,035	56
CFW110105T40N1Z-PGS	\$10,785	56
CFW110142T40N1Z-PGS	\$12,635	56
CFW110180T40N1Z-PGS	\$17,635	56
CFW110211T40N1Z-PGS	\$21,135	56
CFW110242T4SZ-PGS	\$23,135	56
CFW110312T4SZ-PGS	\$29,501	56
CFW110370T4SZ-PGS	\$31,449	56
CFW110477T4SZ-PGS	\$41,162	56
CFW110515T4SZ-PGS	\$44,105	56
CFW110601T4SZ-PGS	\$50,223	56
CFW110720T4SZ-PGS	\$59,465	56
CFW110006B20N1Z-PGM	\$2,019	58
CFW110007B20N1Z-PGM	\$2,091	58
CFW110010S20N1Z-PGM	\$2,187	58
CFW110007T20N1Z-PGM	\$1,995	58
CFW110010T20N1Z-PGM	\$2,067	58
CFW110013T20N1Z-PGM	\$2,103	58
CFW110016T20N1Z-PGM	\$2,225	58
CFW110024T20N1Z-PGM	\$2,799	58
CFW110028T20N1Z-PGM	\$3,016	58
CFW110033T20N1Z-PGM	\$3,565	58
CFW110045T20N1Z-PGM	\$4,016	58
CFW110054T20N1Z-PGM	\$4,775	58
CFW110070T20N1Z-PGM	\$6,975	58
CFW110086T20N1Z-PGM	\$7,597	58
CFW110105T20N1Z-PGM	\$9,375	58
CFW110142T20N1Z-PGM	\$12,024	58
CFW110180T20N1Z-PGM	\$15,500	58
CFW110211T20N1Z-PGM	\$21,935	58
CFW110003T40N1Z-PGM	\$1,991	59
CFW110005T40N1Z-PGM	\$2,025	59
CFW110007T40N1Z-PGM	\$2,087	59
CFW110010T40N1Z-PGM	\$2,344	59
CFW110013T40N1Z-PGM	\$2,443	59
CFW110017T40N1Z-PGM	\$2,905	59

Part Number	Price	Page
CFW110024T40N1Z-PGM	\$3,367	59
CFW110031T40N1Z-PGM	\$4,248	59
CFW110038T40N1Z-PGM	\$4,675	59
CFW110045T40N1Z-PGM	\$5,775	59
CFW110058T40N1Z-PGM	\$7,008	59
CFW110070T40N1Z-PGM	\$7,875	59
CFW110088T40N1Z-PGM	\$9,275	59
CFW110105T40N1Z-PGM	\$11,025	59
CFW110142T40N1Z-PGM	\$12,875	59
CFW110180T40N1Z-PGM	\$17,875	59
CFW110211T40N1Z-PGM	\$21,375	59
CFW110242T4SZ-PGM	\$23,375	59
CFW110312T4SZ-PGM	\$29,741	59
CFW110370T4SZ-PGM	\$31,689	59
CFW110477T4SZ-PGM	\$41,402	59
CFW110515T4SZ-PGM	\$44,345	59
CFW110601T4SZ-PGM	\$50,463	59
CFW110720T4SZ-PGM	\$59,705	59
CFW700A06P0B2DBN1	\$1,370	62
CFW700A07P0B2DBN1	\$1,430	62
CFW700A10POS2DBN1	\$1,510	62
CFW700B16P8S2DB20S1	\$3,087	62
CFW700C35P0S2DB20S1	\$5,153	62
CFW700D52P5S2DB20S1	\$8,216	62
CFW700E0105S2DB20S1	\$20,767	62
CFW700B15P5S4DB20S1	\$3,965	62
CFW700C29P2S4DB20S1	\$7,122	62
CFW700D44POS4DB20S1	\$9,931	62
CFW700E0118S4DB20S1	\$21,897	62
CAN-01	\$410	64
PROFIBUS DP-01	\$520	64
CCK-01	\$105	64
MMF-02	\$71	64
HMI-02	\$320	64
RHMIF-02	\$69	64
HMID-01	\$54	64
IHM-CAB-RS-1M	\$54	64
IHM-CAB-RS-2M	\$60	64
IHM-CAB-RS-3M	\$66	64
IHM-CAB-RS-5M	\$75	64
IHM-CAB-RS-7.5M	\$90	64
IHM-CAB-RS-10M	\$102	64
CSW-SP3PBS	\$460	64
CSW30-SP3PBS	\$535	64
KN1A-02	\$125	64
KN1B-02	\$125	64
KN1C-02	\$142	64
KN1E-01	\$78	64
KN1E-02	\$213	64

Part Number	Price	Page
KIP21D-01	\$120	64
PCSA-01	\$48	64
PCSB-01	\$51	64
PCSC-01	\$54	64
PCSD-01	\$56	64
PCSE-01	\$76	64
CFW080073BDN4A1Z	\$929	68
CFW080100BDN4A1Z	\$1,039	68
CFW080160TDN4A1Z	\$1,228	68
CFW080220TDN4A1Z	\$1,769	68
CFW080280TDN4A1Z	\$2,266	68
CFW080027TGN4A1Z	\$894	68
CFW080043TGN4A1Z	\$1,118	68
CFW080065TGN4A1Z	\$1,331	68
CFW080100TGN4A1Z	\$1,516	68
CFW080130TGN4A1Z	\$1,856	68
CFW080160TGN4A1Z	\$2,144	68
CFW080240TGN4A1Z	\$2,876	68
CFW080300TGN4A1Z	\$3,474	68
CFW080017THN4A1Z	\$1,259	68
CFW080030THN4A1Z	\$1,421	68
CFW080043THN4A1Z	\$1,485	68
CFW080070THN4A1Z	\$1,767	68
CFW080100THN4A1Z	\$2,077	68
CFW080120THN4A1Z	\$2,388	68
HMI-CFW08-RS	\$135	69
MIS-CFW08-RS	\$64	69
TCL-CFW08	\$13	69
CAB-RS-1	\$23	69
CAB-RS-2	\$31	69
CAB-RS-3	\$41	69
CAB-RS-5	\$51	69
CAB-RS-7.5	\$62	69
CAB-RS-10	\$72	69
KAC-120-CFW08	\$145	69
KCS-CFW08	\$97	69
MIW-02	\$221	69
KSD-CFW08	\$124	69
KRS-485-CFW08	\$186	69
KDC-24V-CFW08	\$177	69
KDC-24VR-CFW08	\$211	69
CSW-SP3PBS	\$460	69
CSW30-SP3PBS	\$535	69
CFDB39-224	\$183	70
CFDB27-298	\$183	70
CFDB22-373	\$183	70
CFDB15-560	\$319	70
CFDB10-746	\$319	70
CFDB120-298	\$183	70



CATALOG INDEX

General Information

CFW100

CFW300

CFW500

CFW700

CFW11

CFW11M

PUMP GENIUS

CFW700 SINGLE PHASE

CFW08 WASH

CFW501

CFW701

HW701

SSW05

SSW07

SSW06

EDP11

GPH2

TPH2

Part Number	Price	Page
CFDB120-298	\$183	70
CFDB100-224	\$183	70
CFDB47-746	\$319	70
CFDB33-746	\$319	70
CFDB33-746	\$319	70
CFDB22-1119	\$481	70
CFDB18-1492	\$638	70
CFW501A01P6T2NB20C3	\$563	75
CFW501A02P6T2NB20C3	\$601	75
CFW501A04P3T2NB20C3	\$652	75
CFW501A07P0T2NB20C3	\$736	75
CFW501A09P6T2NB20C3	\$804	75
CFW501A12P2T2NB20C3	\$873	75
CFW501B16P0T2DB20C3	\$1,009	75
CFW501B19P4T2DB20C3	\$1,111	75
CFW501C24P0T2DB20C3	\$1,552	75
CFW501A01P0T4NB20C3	\$745	75
CFW501A01P6T4NB20C3	\$761	75
CFW501A02P6T4NB20C3	\$799	75
CFW501A04P3T4NB20C3	\$917	75
CFW501A06P1T4NB20C3	\$1,051	75
CFW501B02P6T4DB20C3	\$835	75
CFW501B04P3T4DB20C3	\$958	75
CFW501B06P5T4DB20C3	\$1,092	75
CFW501B10P0T4DB20C3	\$1,299	75
CFW501C14P0T4DB20C2	\$1,609	75
CFW501C16P0T4DB20C2	\$1,886	75
CFW501D24P0T4DB20C3	\$2,321	75
CFW501D31P0T4DB20C3	\$2,716	75
CFW701A06POS2DBN1C3	\$1,370	79
CFW701A07POS2DBN1C3	\$1,430	79
CFW701A10POS2DBN1C3	\$1,510	79
CFW701A07P0T2DBN1C3	\$1,350	79
CFW701A10P0T2DBN1C3	\$1,410	79
CFW701A13P0T2DBN1C3	\$1,440	79
CFW701A16P0T2DBN1C3	\$1,542	79
CFW701B24P0T2DBN1C3	\$2,020	79
CFW701B28P0T2DBN1C3	\$2,201	79
CFW701B33P5T2DBN1C3	\$2,600	79
CFW701C45P0T2DBN1C3	\$2,900	79
CFW701C54P0T2DBN1C3	\$3,700	79
CFW701C70P0T2DBN1C3	\$4,880	79
CFW701D86P0T2DBN1C3	\$6,101	79
CFW701D0105T2DBN1C3	\$8,100	79
CFW701E0142T2NBN1C3	\$10,101	79
CFW701E0180T2NBN1C3	\$12,999	79
CFW701E0211T2NBN1C3	\$18,555	79
CFW701A03P6T4DBN1C3	\$1,350	79
CFW701A05P0T4DBN1C3	\$1,444	79

Part Number	Price	Page
CFW701A07P0T4DBN1C3	\$1,510	79
CFW701A10P0T4DBN1C3	\$1,600	79
CFW701A13P5T4DBN1C3	\$1,711	79
CFW701B17P0T4DBN1C3	\$2,055	79
CFW701B24P0T4DBN1C3	\$2,455	79
CFW701B31P0T4DBN1C3	\$3,450	79
CFW701C38P0T4DBN1C3	\$3,888	79
CFW701C45P0T4DBN1C3	\$5,000	79
CFW701C58P5T4DBN1C3	\$5,800	79
CFW701D70P5T4DBN1C3	\$6,888	79
CFW701D88P0T4DBN1C3	\$8,100	79
CFW701E0105T4NBN1C3	\$9,999	79
CFW701E0142T4NBN1C3	\$12,000	79
CFW701E0180T4NBN1C3	\$15,400	79
CFW701E0211T4NBN1C3	\$18,787	79
CFW701B02P9T5DBN1C3	\$1,689	80
CFW701B04P2T5DBN1C3	\$1,759	80
CFW701B07P0T5DBN1C3	\$1,874	80
CFW701B10P0T5DBN1C3	\$2,048	80
CFW701B12P0T5DBN1C3	\$2,171	80
CFW701B17P0T5DBN1C3	\$2,552	80
CFW701D22P0T5NBN1C3	\$3,921	80
CFW701D27P0T5NBN1C3	\$4,450	80
CFW701D32P0T5NBN1C3	\$5,763	80
CFW701D44P0T5NBN1C3	\$6,768	80
CFW701E53P0T5NBN1C3	\$8,446	80
CFW701E63P0T5NBN1C3	\$10,728	80
CFW701E80P0T5NBN1C3	\$11,200	80
CFW701E0107T5NBN1C3	\$15,042	80
CFW701E0125T5NBN1C3	\$15,662	80
CFW701E0150T5NBN1C3	\$21,723	80
CFW-LonWorks	\$1,100	81
CCK-01	\$105	81
MMF-02	\$71	81
HMI-02	\$320	81
RHMIF-02	\$69	81
HMI-03	\$320	81
RHMIF-03	\$69	81
HMID-01	\$54	81
IHM-CAB-RS-1M	\$54	81
IHM-CAB-RS-2M	\$60	81
IHM-CAB-RS-3M	\$66	81
IHM-CAB-RS-5M	\$75	81
IHM-CAB-RS-7.5M	\$90	81
IHM-CAB-RS-10M	\$102	81
CSW-SP3PBS	\$460	81
CSW30-SP3PBS	\$535	81
KN1A-02	\$125	81
KN1B-02	\$125	81



Part Number	Price	Page
KN1C-02	\$142	81
KN1E-01	\$78	81
KN1E-02	\$213	81
KIP21D-01	\$120	81
PCSA-01	\$48	81
PCSB-01	\$51	81
PCSC-01	\$54	81
PCSD-01	\$56	81
PCSE-01	\$76	81
CFDB5-125-224	\$520	83
CFDB5-95-298	\$749	83
CFDB5-95-298	\$749	83
CFDB5-63-448	\$749	83
CFDB5-63-448	\$749	83
CFDB5-38-746	\$941	83
CFDB5-38-746	\$941	83
CFDB5-26-1119	\$1,130	83
CFDB5-19-1492	\$1,322	83
CFDB5-19-1492	\$1,322	83
CFDB5-13-2238	\$1,644	83
CFDB5-10-2984	\$1,644	83
CFDB5-8-3730	\$1,997	83
CFDB5-7-4476	\$2,588	83
CFDB5-5-5968	\$3,269	83
CFDB5-4-7460	\$3,820	83
CFDB5-4-8952	\$3,820	83
CFDB5-3-11190	\$5,622	83
CFDB5-375-298	\$749	83
CFDB5-250-448	\$749	83
CFDB5-150-746	\$941	83
CFDB5-100-1119	\$1,130	83
CFDB5-75-1492	\$1,322	83
CFDB5-75-1492	\$1,322	83
CFDB5-50-2238	\$1,820	83
CFDB5-38-2984	\$2,201	83
CFDB5-30-3730	\$2,511	83
CFDB5-25-4476	\$2,511	83
CFDB5-19-5968	\$2,938	83
CFDB2-15-8952	\$4,328	83
CFDB5-10-11190	\$5,659	83
CFDB5-10-11190	\$5,659	83
CFDB5-8-18650	\$9,560	83
CFDB5-5-22380	\$11,854	83
CFDB5-5-29840	\$11,854	83
CFDB5-125-560	\$941	84
CFDB5-95-746	\$941	84
CFDB5-95-746	\$941	84
CFDB5-63-1119	\$1,130	84
CFDB5-63-1119	\$1,130	84

Part Number	Price	Page
CFDB5-38-1865	\$1,820	84
CFDB5-38-1865	\$1,820	84
CFDB5-26-2798	\$2,511	84
CFDB5-19-3730	\$2,511	84
CFDB5-19-3730	\$2,511	84
CFDB5-13-5595	\$2,938	84
CFDB5-10-7460	\$4,663	84
CFDB5-8-9325	\$4,663	84
CFDB5-7-11190	\$5,254	84
CFDB5-5-14920	\$6,762	84
CFDB5-375-746	\$1,130	84
CFDB5-250-1119	\$1,511	84
CFDB5-150-1865	\$1,703	84
CFDB5-100-2798	\$1,892	84
CFDB5-75-3730	\$2,938	84
CFDB5-75-3730	\$2,938	84
CFDB5-50-5595	\$4,254	84
CFDB5-38-7460	\$4,254	84
CFDB5-30-9325	\$4,715	84
CFDB5-25-11190	\$5,071	84
CFDB5-19-14920	\$8,858	84
CFDB2-15-22380	\$10,176	84
CFDB5-10-27975	\$14,625	84
LRW012D3N1	\$436	85
LRW018D3N1	\$512	85
LRW025D3N1	\$590	85
LRW035D3N1	\$634	85
LRW045D3N1	\$756	85
LRW055D3N1	\$890	85
LRW080D3N1	\$905	85
LRW100D3N1	\$1,086	85
LRW130D3N1	\$1,175	85
LRW160D3N1	\$1,424	85
LRW200D3N1	\$1,488	85
LRW002G3N1	\$387	85
LRW004G3N1	\$394	85
LRW008G3N1	\$415	85
LRW012G3N1	\$452	85
LRW018G3N1	\$519	85
LRW025G3N1	\$601	85
LRW035G3N1	\$715	85
LRW045G3N1	\$841	85
LRW055G3N1	\$987	85
LRW080G3N1	\$1,179	85
LRW100G3N1	\$1,450	85
LRW130G3N1	\$1,750	85
LRW160G3N1	\$2,060	85
LRW200G3N1	\$2,400	85
LRW250G3N1	\$2,990	85



CATALOG INDEX

General Information
 CFW100 CFW300 CFW500 CFW700 CFW11 CFW11M PUMP GENIUS CFW700 SINGLE PHASE CFW08 WASH CFW501 CFW701 HVW701 SSW05 SSW07 SSW06 EDP11 EDP700 GPH2 TPH2

Part Number	Price	Page
LRW320G3N1	\$3,700	85
LRW400G3N1	\$4,962	85
LRW500G3N1	\$6,446	85
LRW600G3N1	\$7,950	85
LRW1000G3N1	\$9,788	85
HVW701A007DN01200000	\$2,851	88
HVW701A010DN01200000	\$2,859	88
HVW701A013DN01200000	\$2,888	88
HVW701A016DN01200000	\$2,920	88
HVW701B024DN01200000	\$3,247	88
HVW701B028DN01200000	\$3,556	88
HVW701B033DN01200000	\$3,832	88
HVW701C045DN01200000	\$4,185	88
HVW701C054DN01200000	\$5,280	88
HVW701C070DN01200000	\$6,349	88
HVW701D086DN01200000	\$7,422	88
HVW701D105DN01200000	\$11,404	88
HVW701E142DN01200000	\$14,011	88
HVW701E180DN01200000	\$14,344	88
HVW701E211DN01200000	\$23,057	88
HVW701A003GN01200000	\$2,576	88
HVW701A005GN01200000	\$2,584	88
HVW701A007GN01200000	\$2,759	88
HVW701A010GN01200000	\$3,120	88
HVW701A013GN01200000	\$3,196	88
HVW701B017GN01200000	\$3,280	88
HVW701B024GN01200000	\$3,868	88
HVW701B031GN01200000	\$4,557	88
HVW701C038GN01200000	\$5,433	88
HVW701C045GN01200000	\$6,134	88
HVW701C058GN01200000	\$6,286	88
HVW701D070GN01200000	\$8,118	88
HVW701D088GN01200000	\$11,587	88
HVW701E105GN01200000	\$22,622	88
HVW701E142GN01200000	\$25,373	88
HVW701E180GN01200000	\$30,944	88
HVW701E211GN01200000	\$34,303	88
HVW701A007DN01200001	\$3,951	89
HVW701A010DN01200001	\$3,959	89
HVW701A013DN01200001	\$3,988	89
HVW701A016DN01200001	\$4,020	89
HVW701B024DN01200001	\$4,347	89
HVW701B028DN01200001	\$4,656	89
HVW701B033DN01200001	\$4,932	89
HVW701C045DN01200001	\$5,285	89
HVW701C054DN01200001	\$6,380	89
HVW701C070DN01200001	\$7,449	89
HVW701D086DN01200001	\$8,522	89
HVW701D105DN01200001	\$12,504	89

Part Number	Price	Page
HVW701E142DN01200001	\$15,111	89
HVW701E180DN01200001	\$15,444	89
HVW701E211DN01200001	\$24,157	89
HVW701A003GN01200001	\$3,676	89
HVW701A005GN01200001	\$3,684	89
HVW701A007GN01200001	\$3,859	89
HVW701A010GN01200001	\$4,220	89
HVW701A013GN01200001	\$4,296	89
HVW701B017GN01200001	\$4,380	89
HVW701B024GN01200001	\$4,968	89
HVW701B031GN01200001	\$5,657	89
HVW701C038GN01200001	\$6,533	89
HVW701C045GN01200001	\$7,234	89
HVW701C058GN01200001	\$7,386	89
HVW701D070GN01200001	\$9,218	89
HVW701D088GN01200001	\$12,687	89
HVW701E105GN01200001	\$23,722	89
HVW701E142GN01200001	\$26,473	89
HVW701E180GN01200001	\$32,044	89
HVW701E211GN01200001	\$35,403	89
HVW701A007DN01300000	\$2,877	90
HVW701A010DN01300000	\$2,886	90
HVW701A013DN01300000	\$2,917	90
HVW701A016DN01300000	\$2,948	90
HVW701B024DN01300000	\$3,284	90
HVW701B028DN01300000	\$3,607	90
HVW701B033DN01300000	\$3,892	90
HVW701C045DN01300000	\$4,298	90
HVW701C054DN01300000	\$5,423	90
HVW701C070DN01300000	\$6,512	90
HVW701D086DN01300000	\$7,638	90
HVW701D105DN01300000	\$11,718	90
HVW701E142DN01300000	\$14,655	90
HVW701E180DN01300000	\$15,026	90
HVW701E211DN01300000	\$24,293	90
HVW701A003GN01300000	\$2,600	90
HVW701A005GN01300000	\$2,608	90
HVW701A007GN01300000	\$2,784	90
HVW701A010GN01300000	\$3,150	90
HVW701A013GN01300000	\$3,223	90
HVW701B017GN01300000	\$3,306	90
HVW701B024GN01300000	\$3,904	90
HVW701B031GN01300000	\$4,606	90
HVW701C038GN01300000	\$5,491	90
HVW701C045GN01300000	\$6,245	90
HVW701C058GN01300000	\$6,415	90
HVW701D070GN01300000	\$8,283	90
HVW701D088GN01300000	\$11,859	90
HVW701E105GN01300000	\$23,147	90

Part Number	Price	Page
HVW701E142GN01300000	\$26,501	90
HVW701E180GN01300000	\$32,313	90
HVW701E211GN01300000	\$36,181	90
HVW701A007DN01300001	\$3,977	91
HVW701A010DN01300001	\$3,986	91
HVW701A013DN01300001	\$4,017	91
HVW701A016DN01300001	\$4,048	91
HVW701B024DN01300001	\$4,384	91
HVW701B028DN01300001	\$4,707	91
HVW701B033DN01300001	\$4,992	91
HVW701C045DN01300001	\$5,398	91
HVW701C054DN01300001	\$6,523	91
HVW701C070DN01300001	\$7,612	91
HVW701D086DN01300001	\$8,738	91
HVW701D105DN01300001	\$12,818	91
HVW701E142DN01300001	\$15,755	91
HVW701E180DN01300001	\$16,126	91
HVW701E211DN01300001	\$25,393	91
HVW701A003GN01300001	\$3,700	91
HVW701A005GN01300001	\$3,708	91
HVW701A007GN01300001	\$3,884	91
HVW701A010GN01300001	\$4,250	91
HVW701A013GN01300001	\$4,323	91
HVW701B017GN01300001	\$4,406	91
HVW701B024GN01300001	\$5,004	91
HVW701B031GN01300001	\$5,706	91
HVW701C038GN01300001	\$6,591	91
HVW701C045GN01300001	\$7,345	91
HVW701C058GN01300001	\$7,515	91
HVW701D070GN01300001	\$9,383	91
HVW701D088GN01300001	\$12,959	91
HVW701E105GN01300001	\$24,247	91
HVW701E142GN01300001	\$27,601	91
HVW701E180GN01300001	\$33,413	91
HVW701E211GN01300001	\$37,281	91
HVW701A007DN01000000	\$2,610	92
HVW701A010DN01000000	\$2,627	92
HVW701A013DN01000000	\$2,654	92
HVW701A016DN01000000	\$2,697	92
HVW701B024DN01000000	\$3,005	92
HVW701B028DN01000000	\$3,279	92
HVW701B033DN01000000	\$3,525	92
HVW701C045DN01000000	\$3,755	92
HVW701C054DN01000000	\$4,767	92
HVW701C070DN01000000	\$5,738	92
HVW701D086DN01000000	\$6,687	92
HVW701D105DN01000000	\$10,405	92
HVW701E142DN01000000	\$12,301	92
HVW701E180DN01000000	\$12,658	92

Part Number	Price	Page
HVW701E211DN01000000	\$20,126	92
HVW701A003GN01000000	\$2,358	92
HVW701A005GN01000000	\$2,371	92
HVW701A007GN01000000	\$2,534	92
HVW701A010GN01000000	\$2,867	92
HVW701A013GN01000000	\$2,972	92
HVW701B017GN01000000	\$3,073	92
HVW701B024GN01000000	\$3,637	92
HVW701B031GN01000000	\$4,283	92
HVW701C038GN01000000	\$5,114	92
HVW701C045GN01000000	\$5,626	92
HVW701C058GN01000000	\$5,813	92
HVW701D070GN01000000	\$7,502	92
HVW701D088GN01000000	\$10,661	92
HVW701E105GN01000000	\$20,951	92
HVW701E142GN01000000	\$22,376	92
HVW701E180GN01000000	\$26,852	92
HVW701E211GN01000000	\$29,847	92
HVW701A007DN01000001	\$3,710	93
HVW701A010DN01000001	\$3,727	93
HVW701A013DN01000001	\$3,754	93
HVW701A016DN01000001	\$3,797	93
HVW701B024DN01000001	\$4,105	93
HVW701B028DN01000001	\$4,379	93
HVW701B033DN01000001	\$4,625	93
HVW701C045DN01000001	\$4,855	93
HVW701C054DN01000001	\$5,867	93
HVW701C070DN01000001	\$6,838	93
HVW701D086DN01000001	\$7,787	93
HVW701D105DN01000001	\$11,505	93
HVW701E142DN01000001	\$13,401	93
HVW701E180DN01000001	\$13,758	93
HVW701E211DN01000001	\$21,226	93
HVW701A003GN01000001	\$3,458	93
HVW701A005GN01000001	\$3,471	93
HVW701A007GN01000001	\$3,634	93
HVW701A010GN01000001	\$3,967	93
HVW701A013GN01000001	\$4,072	93
HVW701B017GN01000001	\$4,173	93
HVW701B024GN01000001	\$4,737	93
HVW701B031GN01000001	\$5,383	93
HVW701C038GN01000001	\$6,214	93
HVW701C045GN01000001	\$6,726	93
HVW701C058GN01000001	\$6,913	93
HVW701D070GN01000001	\$8,602	93
HVW701D088GN01000001	\$11,761	93
HVW701E105GN01000001	\$22,051	93
HVW701E142GN01000001	\$23,476	93
HVW701E180GN01000001	\$27,952	93

General Information
CFW100
CFW300
CFW500
CFW700
CFW700
CFW11
CFW11M
PUMP GENIUS
CFW700 SINGLE PHASE
CFW08 WASH
CFW501
CFW701
CFW701
HVVW701
SSW05
SSW07
SSW06
SSW06
EDP11 EDP700
GPH2
TPH2



CATALOG INDEX

General Information
 CFW100 CFW300 CFW500 CFW700 CFW11 CFW11M PUMP GENIUS CFW700 SINGLE PHASE CFW08 WASH CFW501 CFW701 HWW701 SSW05 SSW07 SSW06 EDP11 EDP700 GPH2 TPH2

Part Number	Price	Page
HWW701E211GN01000001	\$30,947	93
SSW050010T2246EPZ	\$531	96
SSW050016T2246EPZ	\$603	96
SSW050023T2246EPZ	\$694	96
SSW050030T2246EPZ	\$754	96
SSW050045T2246EPZ	\$943	96
SSW050060T2246EPZ	\$1,135	96
SSW050085T2246EPZ	\$1,382	96
SSW050010T2246EPZ	\$531	96
SSW050016T2246EPZ	\$603	96
SSW050023T2246EPZ	\$694	96
SSW050030T2246EPZ	\$754	96
SSW050045T2246EPZ	\$943	96
SSW050060T2246EPZ	\$1,135	96
SSW050085T2246EPZ	\$1,382	96
HMI-SSW05-RS	\$120	96
CAB-RS-1	\$23	96
CAB-RS-2	\$31	96
CAB-RS-3	\$41	96
CAB-RS-5	\$51	96
CAB-RS-7.5	\$62	96
CAB-RS-10	\$72	96
SSW070017T5SZ	\$1,158	100
SSW070024T5SZ	\$1,241	100
SSW070030T5SZ	\$1,281	100
SSW070045T5SZ	\$1,461	100
SSW070061T5SZ	\$1,646	100
SSW070085T5SZ	\$1,992	100
SSW070130T5SZ	\$2,501	100
SSW070171T5SZ	\$3,177	100
SSW070200T5SZ	\$3,766	100
SSW070255T5SZ	\$4,598	100
SSW070312T5SZ	\$4,992	100
SSW070365T5SZ	\$5,187	100
SSW070412T5SZ	\$6,088	100
SSW070017T5SZ	\$1,158	100
SSW070024T5SZ	\$1,241	100
SSW070030T5SZ	\$1,281	100
SSW070045T5SZ	\$1,461	100
SSW070061T5SZ	\$1,646	100
SSW070085T5SZ	\$1,992	100
SSW070130T5SZ	\$2,501	100
SSW070171T5SZ	\$3,177	100
SSW070200T5SZ	\$3,766	100
SSW070255T5SZ	\$4,598	100
SSW070312T5SZ	\$4,992	100
SSW070365T5SZ	\$5,187	100
SSW070412T5SZ	\$6,088	100
SSW070017T5SZ	\$1,158	100

Part Number	Price	Page
SSW070024T5SZ	\$1,241	100
SSW070030T5SZ	\$1,281	100
SSW070045T5SZ	\$1,461	100
SSW070061T5SZ	\$1,646	100
SSW070085T5SZ	\$1,992	100
SSW070130T5SZ	\$2,501	100
SSW070171T5SZ	\$3,177	100
SSW070200T5SZ	\$3,766	100
SSW070255T5SZ	\$4,598	100
SSW070312T5SZ	\$4,992	100
SSW070365T5SZ	\$5,187	100
SSW070412T5SZ	\$6,088	100
HMI-LOCAL-SSW07	\$174	101
HMI-REMOTE-SSW07	\$340	101
HMI-SSW07-REM+RS485	\$427	101
CAB-RS-1	\$23	101
CAB-RS-2	\$31	101
CAB-RS-3	\$41	101
CAB-RS-5	\$51	101
CAB-RS-7.5	\$62	101
CAB-RS-10	\$72	101
KRS-232-SSW07	\$121	101
KRS-485-SSW07	\$201	101
CAB-COMM-3	\$75	101
CAB-COMM-10	\$164	101
KFB-DN SSW07/08	\$353	101
SSW07-VENT KIT-M2	\$65	101
SSW07-VENT KIT-M3	\$94	101
KIT-PTC-SSW07-MOTOR	\$123	101
KIT-IP20-SSW07	\$62	101
KIT-IP20-SSW07 SZ4	\$130	101
KSDG2-SSW07	\$225	101
SSW060010T2257ESZ	\$1,386	107
SSW060016T2257ESZ	\$1,429	107
SSW060023T2257ESZ	\$1,572	107
SSW060030T2257ESZ	\$1,703	107
SSW060045T2257ESZ	\$1,976	107
SSW060060T2257ESZ	\$2,181	107
SSW060085T2257ESZ	\$2,771	107
SSW060130T2257ESZ	\$3,547	107
SSW060170T2257ESZ	\$4,270	107
SSW060205T2257ESZ	\$5,354	107
SSW060255T2257ESZ	\$7,188	107
SSW060312T2257ESZ	\$7,896	107
SSW060365T2257ESZ	\$8,721	107
SSW060412T2257ESZ	\$9,465	107
SSW060480T2257ESZ	\$11,730	107
SSW060604T2257ESZ	\$13,082	107
SSW060670T2257ESZ	\$14,878	107

Part Number	Price	Page
SSW060820T2257ESZ	\$17,573	107
SSW060950T2257ESH1Z	\$26,592	107
SSW060950T2257ESH2Z	\$26,592	107
SSW061100T2257ESH2Z	\$33,351	107
SSW061400T2257ESH2Z	\$42,863	107
SSW060010T2257ESZ	\$1,386	107
SSW060016T2257ESZ	\$1,429	107
SSW060023T2257ESZ	\$1,572	107
SSW060030T2257ESZ	\$1,703	107
SSW060045T2257ESZ	\$1,976	107
SSW060060T2257ESZ	\$2,181	107
SSW060085T2257ESZ	\$2,771	107
SSW060130T2257ESZ	\$3,547	107
SSW060170T2257ESZ	\$4,270	107
SSW060205T2257ESZ	\$5,354	107
SSW060255T2257ESZ	\$7,188	107
SSW060312T2257ESZ	\$7,896	107
SSW060365T2257ESZ	\$8,721	107
SSW060412T2257ESZ	\$9,465	107
SSW060480T2257ESZ	\$11,730	107
SSW060604T2257ESZ	\$13,082	107
SSW060670T2257ESZ	\$14,878	107
SSW060820T2257ESZ	\$17,573	107
SSW060950T2257ESH1Z	\$26,592	107
SSW060950T2257ESH2Z	\$26,592	107
SSW061100T2257ESH2Z	\$33,351	107
SSW061400T2257ESH2Z	\$42,863	107
SSW060010T2257ESZ	\$1,386	108
SSW060016T2257ESZ	\$1,429	108
SSW060023T2257ESZ	\$1,572	108
SSW060030T2257ESZ	\$1,703	108
SSW060045T2257ESZ	\$1,976	108
SSW060060T2257ESZ	\$2,181	108
SSW060085T2257ESZ	\$2,771	108
SSW060130T2257ESZ	\$3,547	108
SSW060170T2257ESZ	\$4,270	108
SSW060205T2257ESZ	\$5,354	108
SSW060255T2257ESZ	\$7,188	108
SSW060312T2257ESZ	\$7,896	108
SSW060365T2257ESZ	\$8,721	108
SSW060412T2257ESZ	\$9,465	108
SSW060480T2257ESZ	\$11,730	108
SSW060604T2257ESZ	\$13,082	108
SSW060670T2257ESZ	\$14,878	108
SSW060820T2257ESZ	\$17,573	108
SSW060950T2257ESH1Z	\$26,592	108
SSW060950T2257ESH2Z	\$26,592	108
Part Number	Price	Page
SSW061100T2257ESH2Z	\$33,351	108

Part Number	Price	Page
SSW061400T2257ESH2Z	\$42,863	108
SSW060045T5769ESZ	\$2,752	108
SSW060060T5769ESZ	\$3,037	108
SSW060085T5769ESZ	\$3,725	108
SSW060130T5769ESZ	\$4,529	108
SSW060170T5769ESZ	\$5,705	108
SSW060205T5769ESZ	\$7,172	108
SSW060255T5769ESZ	\$8,242	108
SSW060312T5769ESZ	\$8,948	108
SSW060365T5769ESZ	\$9,299	108
SSW060412T5769ESZ	\$11,181	108
SSW060480T5769ESZ	\$13,841	108
SSW060604T5769ESZ	\$15,439	108
SSW060670T5769ESZ	\$14,932	108
SSW060820T5769ESZ	\$17,646	108
SSW060950T5769ESH1Z	\$28,794	108
SSW060950T5769ESH2Z	\$28,794	108
SSW061100T5769ESH2Z	\$34,673	108
SSW061400T5769ESH2Z	\$44,509	108
HMI-SSW06-LCD	\$202	109
KMR-SSW06	\$63	109
CAB-HMI-SSW06-1	\$33	109
CAB-HMI-SSW06-2	\$39	109
CAB-HMI-SSW06-3	\$44	109
CAB-HMI-SSW06-5	\$68	109
KFB-PDPV1-SSW06	\$1,194	109
KFB-DD-SSW06	\$1,094	109
KFB-ENIP	\$2,100	109
KFB-PD	\$993	109
KFB-DN	\$872	109
KSDG2-SSW06	\$62	109
KRS-485-SSW06	\$189	109
KEIO SSW06	\$780	109
K-PT100	\$397	109
KIT IP20 SSW06 M2	\$210	109
KIT IP20 SSW06 M3	\$236	109
KIT IP20 SSW06 M4	\$254	109
KIT IP20 SSW06 M6	\$536	109
EDP11S007DN12	\$6,690	115
EDP11S010DN12	\$6,756	115
EDP11S013DN12	\$6,855	115
EDP11S016DN12	\$7,123	115
EDP11S024DN12	\$7,664	115
EDP11S028DN12	\$8,408	115
EDP11S033DN12	\$9,108	115
EDP11S045DN12	\$10,214	115
EDP11S054DN12	\$11,491	115
EDP11S070DN12	\$12,162	115
EDP11S086DN12	\$14,321	115

General Information
CFW100
CFW300
CFW500
CFW700
CFW11M
PUMP GENIUS
CFW700 SINGLE PHASE
CFW08 WASH
CFW501
CFW701
HVW701
SSW05
SSW07
SSW06
EDP11 EDP700
GPH2
TPH2



General Information
 CFW100
 CFW300
 CFW500
 CFW700
 CFW11
 CFW11M
 PUMP GENIUS
 CFW700 SINGLE PHASE
 CFW08 WASH
 CFW501
 CFW701
 HWW701
 SSW05
 SSW07
 SSW06
 EDP11 EDP700
 GPH2
 TPH2

Part Number	Price	Page
EDP11S105DN12	\$17,164	115
EDP11S142DN12	\$19,793	115
EDP11S180DN12	\$25,116	115
EDP11S211DN12	\$28,326	115
EDP11S003GN12	\$6,510	115
EDP11S005GN12	\$6,626	115
EDP11S007GN12	\$6,690	115
EDP11S010GN12	\$6,756	115
EDP11S013GN12	\$6,855	115
EDP11S017GN12	\$7,269	115
EDP11S024GN12	\$7,821	115
EDP11S031GN12	\$8,580	115
EDP11S038GN12	\$9,293	115
EDP11S045GN12	\$10,422	115
EDP11S058GN12	\$12,026	115
EDP11S070GN12	\$12,729	115
EDP11S088GN12	\$14,988	115
EDP11S105GN12	\$17,964	115
EDP11S142GN12	\$20,715	115
EDP11S180GN12	\$26,286	115
EDP11S211GN12	\$29,645	115
EDP11S242GN12	\$40,755	115
EDP11S312GN12	\$45,114	115
EDP11S370GN12	\$47,743	115
EDP11S477GN12	\$54,585	115
EDP11S515GN12	\$66,023	115
EDP11S601GN12	\$71,875	115
EDP11S720GN12	\$88,556	115
EDP11S007DN1210000	\$8,200	116
EDP11S010DN1210000	\$8,276	116
EDP11S013DN1210000	\$8,375	116
EDP11S016DN1210000	\$8,643	116
EDP11S024DN1210000	\$9,262	116
EDP11S028DN1210000	\$10,200	116
EDP11S033DN1210000	\$11,011	116
EDP11S045DN1210000	\$12,316	116
EDP11S054DN1210000	\$13,738	116
EDP11S070DN1210000	\$14,857	116
EDP11S086DN1210000	\$17,016	116
EDP11S105DN1210000	\$20,052	116
EDP11S142DN1210000	\$24,778	116
EDP11S180DN1210000	\$31,111	116
EDP11S211DN1210000	\$35,651	116
EDP11S003GN1210000	\$8,020	116
EDP11S005GN1210000	\$8,136	116
EDP11S007GN1210000	\$8,200	116
EDP11S010GN1210000	\$8,276	116
EDP11S013GN1210000	\$8,375	116
EDP11S017GN1210000	\$8,867	116

Part Number	Price	Page
EDP11S024GN1210000	\$9,613	116
EDP11S031GN1210000	\$10,483	116
EDP11S038GN1210000	\$11,395	116
EDP11S045GN1210000	\$12,669	116
EDP11S058GN1210000	\$14,721	116
EDP11S070GN1210000	\$15,424	116
EDP11S088GN1210000	\$17,876	116
EDP11S105GN1210000	\$21,308	116
EDP11S142GN1210000	\$25,700	116
EDP11S180GN1210000	\$32,281	116
EDP11S211GN1210000	\$36,970	116
EDP11S242GN1210000	\$53,334	116
EDP11S312GN1210000	\$59,257	116
EDP11S370GN1210000	\$62,146	116
EDP11S477GN1210000	\$76,618	116
EDP11S515GN1210000	\$88,056	116
EDP11S601GN1210000	\$99,447	116
EDP11S720GN1210000	\$119,944	116
EDP11S007DN1201000	\$7,453	117
EDP11S010DN1201000	\$7,519	117
EDP11S013DN1201000	\$7,618	117
EDP11S016DN1201000	\$7,886	117
EDP11S024DN1201000	\$8,427	117
EDP11S028DN1201000	\$9,171	117
EDP11S033DN1201000	\$9,871	117
EDP11S045DN1201000	\$10,977	117
EDP11S054DN1201000	\$12,254	117
EDP11S070DN1201000	\$12,925	117
EDP11S086DN1201000	\$15,084	117
EDP11S105DN1201000	\$17,927	117
EDP11S142DN1201000	\$20,556	117
EDP11S180DN1201000	\$25,879	117
EDP11S211DN1201000	\$29,089	117
EDP11S003GN1201000	\$7,273	117
EDP11S005GN1201000	\$7,389	117
EDP11S007GN1201000	\$7,453	117
EDP11S010GN1201000	\$7,519	117
EDP11S013GN1201000	\$7,618	117
EDP11S017GN1201000	\$8,032	117
EDP11S024GN1201000	\$8,584	117
EDP11S031GN1201000	\$9,343	117
EDP11S038GN1201000	\$10,056	117
EDP11S045GN1201000	\$11,185	117
EDP11S058GN1201000	\$12,789	117
EDP11S070GN1201000	\$13,492	117
EDP11S088GN1201000	\$15,751	117
EDP11S105GN1201000	\$18,727	117
EDP11S142GN1201000	\$21,478	117
EDP11S180GN1201000	\$27,049	117

Part Number	Price	Page
EDP11S211GN1201000	\$30,408	117
EDP11S242GN1201000	\$41,613	117
EDP11S312GN1201000	\$45,972	117
EDP11S370GN1201000	\$48,601	117
EDP11S477GN1201000	\$55,443	117
EDP11S515GN1201000	\$66,881	117
EDP11S601GN1201000	\$72,733	117
EDP11S720GN1201000	\$89,414	117
EDP11S007DN1211000	\$8,963	118
EDP11S010DN1211000	\$9,039	118
EDP11S013DN1211000	\$9,138	118
EDP11S016DN1211000	\$9,406	118
EDP11S024DN1211000	\$10,025	118
EDP11S028DN1211000	\$10,963	118
EDP11S033DN1211000	\$11,774	118
EDP11S045DN1211000	\$13,079	118
EDP11S054DN1211000	\$14,501	118
EDP11S070DN1211000	\$15,620	118
EDP11S086DN1211000	\$17,779	118
EDP11S105DN1211000	\$20,815	118
EDP11S142DN1211000	\$25,541	118
EDP11S180DN1211000	\$31,874	118
EDP11S211DN1211000	\$36,414	118
EDP11S003GN1211000	\$8,783	118
EDP11S005GN1211000	\$8,899	118
EDP11S007GN1211000	\$8,963	118
EDP11S010GN1211000	\$9,039	118
EDP11S013GN1211000	\$9,138	118
EDP11S017GN1211000	\$9,630	118
EDP11S024GN1211000	\$10,376	118
EDP11S031GN1211000	\$11,246	118
EDP11S038GN1211000	\$12,158	118
EDP11S045GN1211000	\$13,432	118
EDP11S058GN1211000	\$15,484	118
EDP11S070GN1211000	\$16,187	118
EDP11S088GN1211000	\$18,639	118
EDP11S105GN1211000	\$22,071	118
EDP11S142GN1211000	\$26,463	118
EDP11S180GN1211000	\$33,044	118
EDP11S211GN1211000	\$37,733	118
EDP11S242GN1211000	\$54,097	118
EDP11S312GN1211000	\$60,115	118
EDP11S370GN1211000	\$63,004	118
EDP11S477GN1211000	\$77,476	118
EDP11S515GN1211000	\$88,914	118
EDP11S601GN1211000	\$100,305	118
EDP11S720GN1211000	\$120,802	118
EDP11S007DN3R	\$8,521	119
EDP11S010DN3R	\$8,587	119

Part Number	Price	Page
EDP11S013DN3R	\$9,138	119
EDP11S016DN3R	\$8,918	119
EDP11S024DN3R	\$9,459	119
EDP11S028DN3R	\$10,202	119
EDP11S033DN3R	\$10,902	119
EDP11S045DN3R	\$12,122	119
EDP11S054DN3R	\$13,400	119
EDP11S070DN3R	\$14,162	119
EDP11S086DN3R	\$16,320	119
EDP11S105DN3R	\$19,338	119
EDP11S142DN3R	\$21,967	119
EDP11S180DN3R	\$27,290	119
EDP11S211DN3R	\$30,499	119
EDP11S003GN3R	\$8,341	119
EDP11S005GN3R	\$8,457	119
EDP11S007GN3R	\$8,521	119
EDP11S010GN3R	\$8,587	119
EDP11S013GN3R	\$8,686	119
EDP11S017GN3R	\$9,100	119
EDP11S024GN3R	\$9,652	119
EDP11S031GN3R	\$10,411	119
EDP11S038GN3R	\$11,125	119
EDP11S045GN3R	\$12,369	119
EDP11S058GN3R	\$13,673	119
EDP11S070GN3R	\$14,451	119
EDP11S088GN3R	\$16,653	119
EDP11S105GN3R	\$19,733	119
EDP11S142GN3R	\$22,415	119
EDP11S180GN3R	\$27,847	119
EDP11S211GN3R	\$31,122	119
EDP11S242GN3R	\$45,693	119
EDP11S312GN3R	\$50,053	119
EDP11S370GN3R	\$52,682	119
EDP11S477GN3R	\$59,523	119
EDP11S515GN3R	\$71,976	119
EDP11S601GN3R	\$77,828	119
EDP11S720GN3R	\$94,509	119
EDP11S007DN3R10000	\$10,031	120
EDP11S010DN3R10000	\$10,107	120
EDP11S013DN3R10000	\$10,206	120
EDP11S016DN3R10000	\$10,438	120
EDP11S024DN3R10000	\$11,057	120
EDP11S028DN3R10000	\$11,994	120
EDP11S033DN3R10000	\$12,805	120
EDP11S045DN3R10000	\$14,224	120
EDP11S054DN3R10000	\$15,647	120
EDP11S070DN3R10000	\$16,857	120
EDP11S086DN3R10000	\$19,015	120
EDP11S105DN3R10000	\$22,226	120

General Information
CFW100
CFW300
CFW500
CFW700
CFW11
CFW11M
PUMP GENIUS
CFW700 SINGLE PHASE
CFW08 WASH
CFW501
CFW701
HVW701
SSW05
SSW07
SSW06
EDP11 EDP700
GPH2
TPH2



CATALOG INDEX

General Information

CFW100 CFW300 CFW500 CFW700 CFW11 CFW11M PUMP GENIUS CFW700 SINGLE PHASE CFW08 WASH CFW501 CFW701 HVW701 SSW05 SSW07 SSW06 EDP11 EDP700 GPH2 TPH2

Part Number	Price	Page
EDP11S142DN3R10000	\$26,952	120
EDP11S180DN3R10000	\$33,285	120
EDP11S211DN3R10000	\$37,824	120
EDP11S003GN3R10000	\$9,851	120
EDP11S005GN3R10000	\$9,967	120
EDP11S007GN3R10000	\$10,031	120
EDP11S010GN3R10000	\$10,107	120
EDP11S013GN3R10000	\$10,206	120
EDP11S017GN3R10000	\$10,698	120
EDP11S024GN3R10000	\$11,444	120
EDP11S031GN3R10000	\$12,314	120
EDP11S038GN3R10000	\$13,227	120
EDP11S045GN3R10000	\$14,616	120
EDP11S058GN3R10000	\$16,368	120
EDP11S070GN3R10000	\$17,146	120
EDP11S088GN3R10000	\$19,541	120
EDP11S105GN3R10000	\$23,077	120
EDP11S142GN3R10000	\$27,400	120
EDP11S180GN3R10000	\$33,842	120
EDP11S211GN3R10000	\$38,447	120
EDP11S242GN3R10000	\$58,272	120
EDP11S312GN3R10000	\$64,196	120
EDP11S370GN3R10000	\$67,085	120
EDP11S477GN3R10000	\$81,556	120
EDP11S515GN3R10000	\$94,009	120
EDP11S601GN3R10000	\$105,400	120
EDP11S720GN3R10000	\$125,897	120
EDP11S007DN3R01000	\$9,284	121
EDP11S010DN3R01000	\$9,350	121
EDP11S013DN3R01000	\$9,449	121
EDP11S016DN3R01000	\$9,681	121
EDP11S024DN3R01000	\$10,222	121
EDP11S028DN3R01000	\$10,965	121
EDP11S033DN3R01000	\$11,665	121
EDP11S045DN3R01000	\$12,885	121
EDP11S054DN3R01000	\$14,163	121
EDP11S070DN3R01000	\$14,925	121
EDP11S086DN3R01000	\$17,083	121
EDP11S105DN3R01000	\$20,101	121
EDP11S142DN3R01000	\$22,730	121
EDP11S180DN3R01000	\$28,053	121
EDP11S211DN3R01000	\$31,262	121
EDP11S003GN3R01000	\$9,104	121
EDP11S005GN3R01000	\$9,220	121
EDP11S007GN3R01000	\$9,284	121
EDP11S010GN3R01000	\$9,350	121
EDP11S013GN3R01000	\$9,449	121
EDP11S017GN3R01000	\$9,863	121
EDP11S024GN3R01000	\$10,415	121

Part Number	Price	Page
EDP11S031GN3R01000	\$11,174	121
EDP11S038GN3R01000	\$11,888	121
EDP11S045GN3R01000	\$13,132	121
EDP11S058GN3R01000	\$14,436	121
EDP11S070GN3R01000	\$15,214	121
EDP11S088GN3R01000	\$17,416	121
EDP11S105GN3R01000	\$20,496	121
EDP11S142GN3R01000	\$23,178	121
EDP11S180GN3R01000	\$28,610	121
EDP11S211GN3R01000	\$31,885	121
EDP11S242GN3R01000	\$46,456	121
EDP11S312GN3R01000	\$50,911	121
EDP11S370GN3R01000	\$53,540	121
EDP11S477GN3R01000	\$60,381	121
EDP11S515GN3R01000	\$72,834	121
EDP11S601GN3R01000	\$78,686	121
EDP11S720GN3R01000	\$95,367	121
EDP11S007DN3R11000	\$10,794	122
EDP11S010DN3R11000	\$10,870	122
EDP11S013DN3R11000	\$10,969	122
EDP11S016DN3R11000	\$11,201	122
EDP11S024DN3R11000	\$11,820	122
EDP11S028DN3R11000	\$12,757	122
EDP11S033DN3R11000	\$13,568	122
EDP11S045DN3R11000	\$14,987	122
EDP11S054DN3R11000	\$16,410	122
EDP11S070DN3R11000	\$17,620	122
EDP11S086DN3R11000	\$19,778	122
EDP11S105DN3R11000	\$22,989	122
EDP11S142DN3R11000	\$27,715	122
EDP11S180DN3R11000	\$34,048	122
EDP11S211DN3R11000	\$38,587	122
EDP11S003GN3R11000	\$10,614	122
EDP11S005GN3R11000	\$10,730	122
EDP11S007GN3R11000	\$10,794	122
EDP11S010GN3R11000	\$10,870	122
EDP11S013GN3R11000	\$10,969	122
EDP11S017GN3R11000	\$11,461	122
EDP11S024GN3R11000	\$12,207	122
EDP11S031GN3R11000	\$13,077	122
EDP11S038GN3R11000	\$13,873	122
EDP11S045GN3R11000	\$15,233	122
EDP11S058GN3R11000	\$16,683	122
EDP11S070GN3R11000	\$17,909	122
EDP11S088GN3R11000	\$20,304	122
EDP11S105GN3R11000	\$23,840	122
EDP11S142GN3R11000	\$28,163	122
EDP11S180GN3R11000	\$34,605	122
EDP11S211GN3R11000	\$39,210	122

Part Number	Price	Page
EDP11S242GN3R11000	\$59,035	122
EDP11S312GN3R11000	\$65,054	122
EDP11S370GN3R11000	\$67,943	122
EDP11S477GN3R11000	\$82,414	122
EDP11S515GN3R11000	\$94,867	122
EDP11S601GN3R11000	\$106,258	122
EDP11S720GN3R11000	\$126,755	122
GPH2005QC2000	\$3,650	127
GPH2007QC2000	\$3,750	127
GPH2010QC2000	\$3,900	127
GPH2015QC2000	\$4,300	127
GPH2025QC2000	\$4,800	127
GPH2030QC2000	\$5,800	127
GPH2050QC2000	\$6,990	127
GPH2060QC2000	\$7,500	127
GPH2075QC2000	\$8,450	127
GPH2100QC2000	\$10,700	127
GPH2125QC2000	\$11,880	127
GPH2150QC2000	\$12,700	127
GPH2175QC2000	\$14,500	127
GPH2010QC4000	\$3,650	127
GPH2015QC4000	\$3,750	127
GPH2020QC4000	\$3,900	127
GPH2030QC4000	\$4,300	127
GPH2050QC4000	\$4,800	127
GPH2075QC4000	\$5,800	127
GPH2100QC4000	\$6,990	127
GPH2125QC4000	\$7,500	127
GPH2150QC4000	\$8,450	127
GPH2200QC4000	\$10,700	127
GPH2250QC4000	\$11,880	127
GPH2300QC4000	\$12,700	127
GPH2350QC4000	\$14,500	127
GPH2005QC2001	\$4,145	128
GPH2007QC2001	\$4,245	128
GPH2010QC2001	\$4,395	128
GPH2015QC2001	\$4,795	128
GPH2025QC2001	\$5,295	128
GPH2030QC2001	\$6,295	128
GPH2050QC2001	\$7,485	128
GPH2060QC2001	\$7,995	128
GPH2075QC2001	\$8,945	128
GPH2100QC2001	\$11,195	128
GPH2125QC2001	\$12,375	128
GPH2150QC2001	\$13,195	128
GPH2175QC2001	\$14,995	128
GPH2010QC4001	\$4,145	128
GPH2015QC4001	\$4,245	128
GPH2020QC4001	\$4,395	128

Part Number	Price	Page
GPH2030QC4001	\$4,795	128
GPH2050QC4001	\$5,295	128
GPH2075QC4001	\$6,295	128
GPH2100QC4001	\$7,485	128
GPH2125QC4001	\$7,995	128
GPH2150QC4001	\$8,945	128
GPH2200QC4001	\$11,195	128
GPH2250QC4001	\$12,375	128
GPH2300QC4001	\$13,195	128
GPH2350QC4001	\$14,995	128
GPH2005PC2000	\$3,900	129
GPH2007PC2000	\$4,032	129
GPH2010PC2000	\$4,243	129
GPH2015PC2000	\$4,865	129
GPH2025PC2000	\$5,412	129
GPH2030PC2000	\$6,585	129
GPH2050PC2000	\$8,260	129
GPH2060PC2000	\$9,013	129
GPH2075PC2000	\$10,350	129
GPH2100PC2000	\$12,965	129
GPH2125PC2000	\$14,847	129
GPH2150PC2000	\$15,706	129
GPH2175PC2000	\$21,075	129
GPH2010PC4000	\$3,900	129
GPH2015PC4000	\$4,032	129
GPH2020PC4000	\$4,243	129
GPH2030PC4000	\$4,865	129
GPH2050PC4000	\$5,412	129
GPH2075PC4000	\$6,585	129
GPH2100PC4000	\$8,260	129
GPH2125PC4000	\$9,013	129
GPH2150PC4000	\$10,350	129
GPH2200PC4000	\$12,965	129
GPH2250PC4000	\$14,847	129
GPH2300PC4000	\$15,706	129
GPH2350PC4000	\$21,075	129
GPH2005PC2001	\$4,395	130
GPH2007PC2001	\$4,527	130
GPH2010PC2001	\$4,738	130
GPH2015PC2001	\$5,360	130
GPH2025PC2001	\$5,907	130
GPH2030PC2001	\$7,080	130
GPH2050PC2001	\$8,755	130
GPH2060PC2001	\$9,508	130
GPH2075PC2001	\$10,845	130
GPH2100PC2001	\$13,460	130
GPH2125PC2001	\$15,342	130
GPH2150PC2001	\$16,201	130
GPH2175PC2001	\$21,570	130

General Information
CFW100
CFW300
CFW500
CFW700
CFW700
CFW11M
PUMP GENIUS
CFW700 SINGLE PHASE
CFW08 WASH
CFW501
CFW701
HVW701
SSW05
SSW07
SSW06
EDP11 EDP700
GPH2
TPH2



CATALOG INDEX

General Information

CFW100

CFW300

CFW500

CFW700

CFW11

CFW11M

PUMP GENIUS

CFW700 SINGLE PHASE

CFW08 WASH

CFW501

CFW701

HVW701

SSW05

SSW07

SSW06

EDP11 EDP700

GPH2

TPH2

Part Number	Price	Page
GPH2010PC4001	\$4,395	130
GPH2015PC4001	\$4,527	130
GPH2020PC4001	\$4,738	130
GPH2030PC4001	\$5,360	130
GPH2050PC4001	\$5,907	130
GPH2075PC4001	\$7,080	130
GPH2100PC4001	\$8,755	130
GPH2125PC4001	\$9,508	130
GPH2150PC4001	\$10,845	130
GPH2200PC4001	\$13,460	130
GPH2250PC4001	\$15,342	130
GPH2300PC4001	\$16,201	130
GPH2350PC4001	\$21,570	130
TPH2100KD0000	\$14,605	134
TPH2150KD0000	\$17,014	134
TPH2200KD0000	\$20,938	134
TPH2250KD0000	\$22,300	134
TPH2300KD0000	\$27,946	134
TPH2350KD0000	\$30,293	134
TPH2400KD0000	\$34,357	134
TPH2500KD0000	\$43,756	134

CFW100

CFW300

CFW500

CFW700

CFW11

CFW11M

PUMP
GENIUS

CFW700
SINGLE
PHASE

CFW08
WASH

CFW501

CFW701

HVVW701

SSW05

SSW07

SSW06

EDP11
EDP700

GPH2

TPH2

General Information

- CFW100
- CFW300
- CFW500
- CFW700
- CFW11
- CFW11M
- PUMP GENIUS
- CFW700 SINGLE PHASE
- CFW08 WASH
- CFW501
- CFW701
- HVW701
- SSW05
- SSW07
- SSW06
- EDP11 EDP700
- GPH2
- TPH2